



Chipsmall Limited consists of a professional team with an average of over 10 year of expertise in the distribution of electronic components. Based in Hongkong, we have already established firm and mutual-benefit business relationships with customers from,Europe,America and south Asia,supplying obsolete and hard-to-find components to meet their specific needs.

With the principle of “Quality Parts,Customers Priority,Honest Operation,and Considerate Service”,our business mainly focus on the distribution of electronic components. Line cards we deal with include Microchip,ALPS,ROHM,Xilinx,Pulse,ON,Everlight and Freescale. Main products comprise IC,Modules,Potentiometer,IC Socket,Relay,Connector.Our parts cover such applications as commercial,industrial, and automotives areas.

We are looking forward to setting up business relationship with you and hope to provide you with the best service and solution. Let us make a better world for our industry!



## Contact us

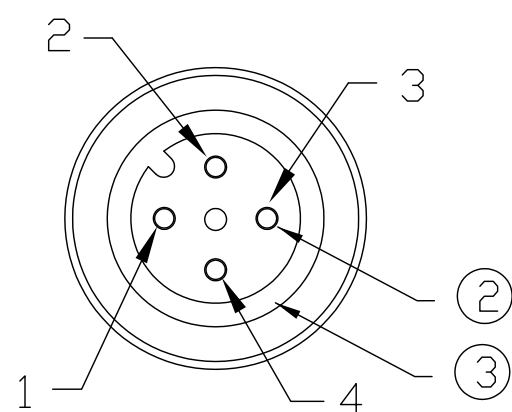
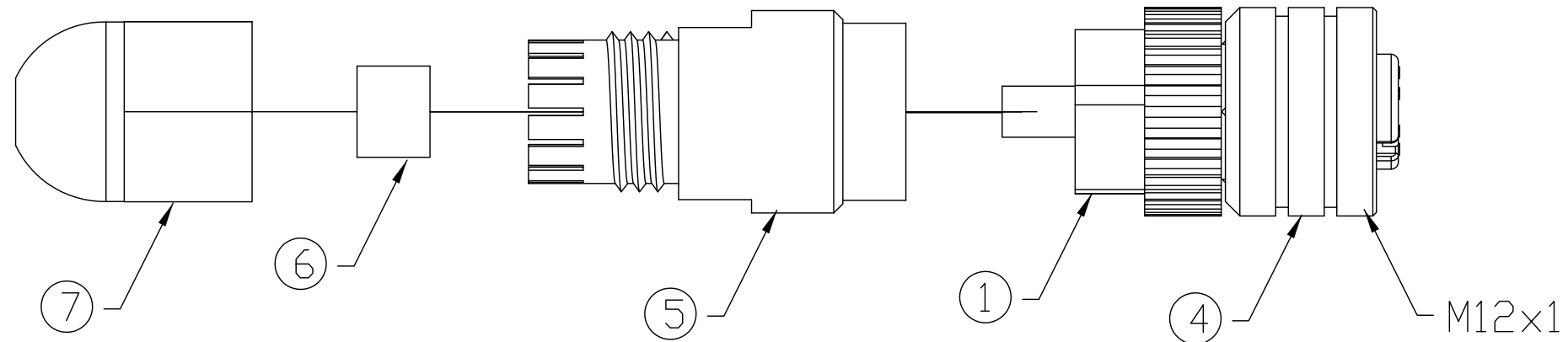
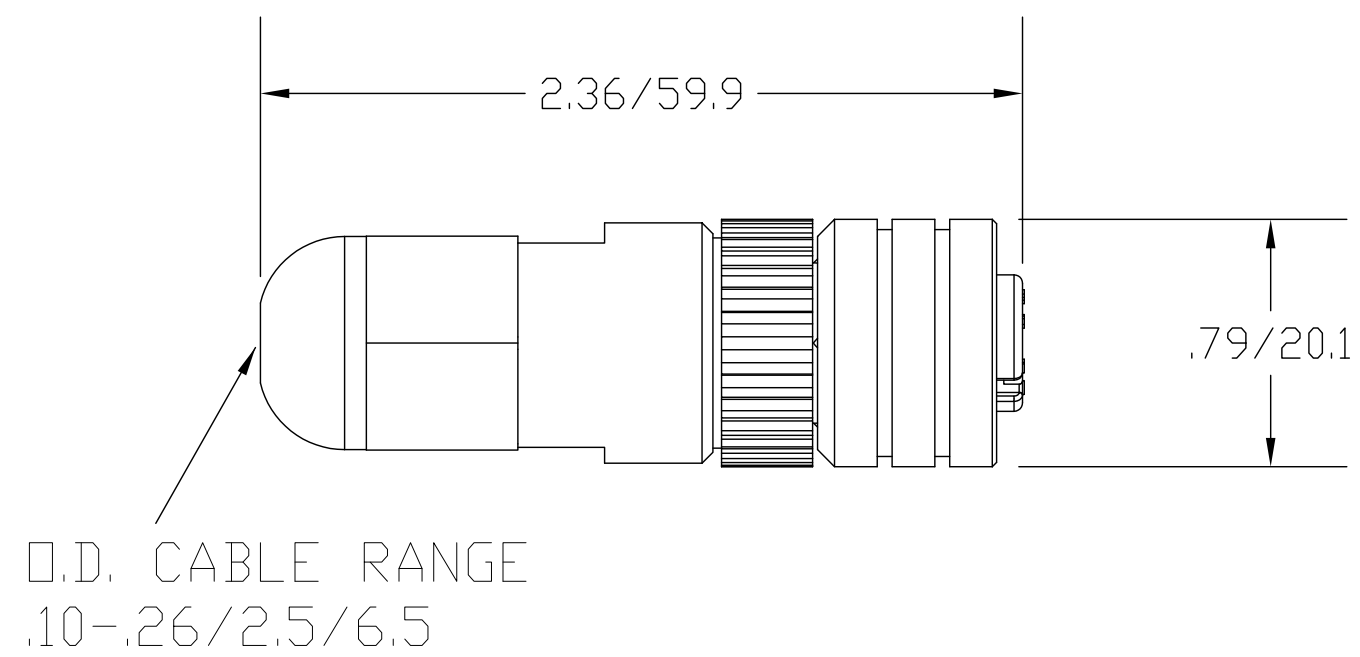
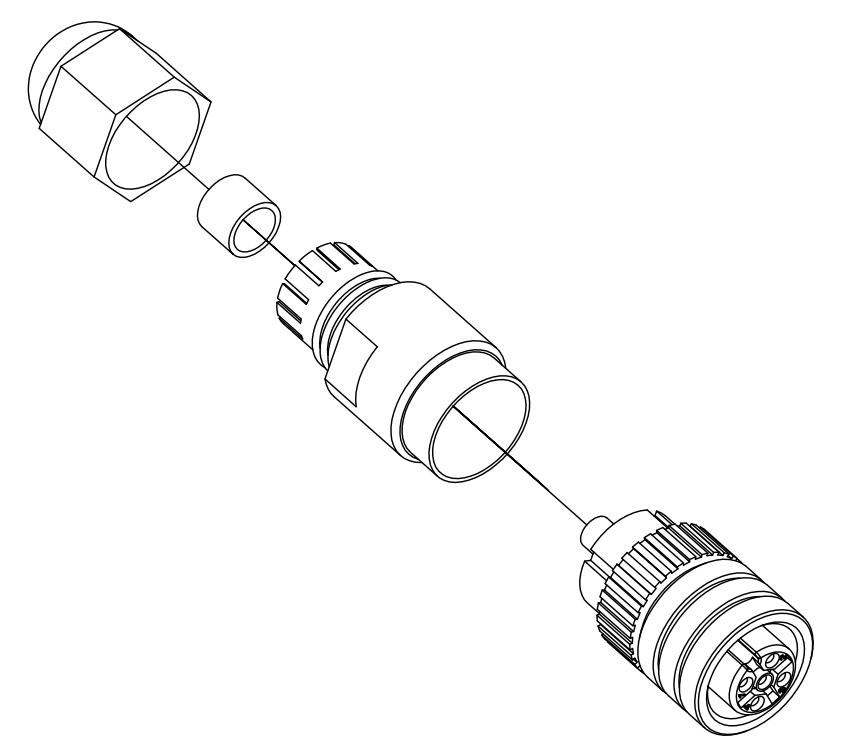
Tel: +86-755-8981 8866 Fax: +86-755-8427 6832

Email & Skype: info@chipsmall.com Web: www.chipsmall.com

Address: A1208, Overseas Decoration Building, #122 Zhenhua RD., Futian, Shenzhen, China



MATERIAL NUMBER	OLD PART NUMBER
120071-0035	8A4000-31



FEMALE FACE VIEW



WIRING DIAGRAM

VOLTAGE RATING	250VAC/ 300VDC
AMPERAGE RATING	4 AMPS
PROTECTION	IP67
OPERATING TEMPERATURE	-25°C TO 90°C
CSA CERTIFICATIONS	CSA CERTIFIED, FILE NO. LR6837

ITEM	COMPONENT	MATERIAL	FINISH
1	INSERT	NYLON	BLACK
2	CONTACTS	COPPER ALLOY	SILVER PLATED
3	O-RING	NITRILE	RED
4	COUPLING NUT	BRASS	NICKEL PLATED
5	MOLDED BODY	NYLON	BLACK
6	GROMMET	NITRILE	BLACK
7	CORD GRIP BODY	NYLON	BLACK

RLSO DRAWING EC NO: WNA2009-0624 DRWN: BWOODMAN 3/26/09 CH'KD: JM APPR: JFMURPHY 2009/04/01	QUALITY SYMBOL ▽=0 ◻=0	GENERAL TOLERANCES (UNLESS SPECIFIED) 4 PLACES ±--- 3 PLACES ±--- 2 PLACES ±--- ±.01 1 PLACE ±0.3 ±--- ANGULAR ±---°	DIMENSION STYLE IN/MM DRAWN BY DATE BW 2009/03/26 CHECKED BY DATE LH 2009/03/26 APPROVED BY DATE ---	SCALE --- DESIGN UNITS --- THIRD ANGLE PROJECTION	TITLE M12 4P FEMALE ATTACHABLE PG7 --- MOLEX INCORPORATED MATERIAL NO. SEE CHART DOCUMENT NO. SD-120071-002 SHEET NO. 1 OF 1
	DRAFT WHERE APPLICABLE MUST REMAIN WITHIN DIMENSIONS		THIS DRAWING CONTAINS INFORMATION THAT IS PROPRIETARY TO MOLEX INCORPORATED AND SHOULD NOT BE USED WITHOUT WRITTEN PERMISSION		
	A		C		
	REV		---		