



Chipsmall Limited consists of a professional team with an average of over 10 year of expertise in the distribution of electronic components. Based in Hongkong, we have already established firm and mutual-benefit business relationships with customers from,Europe,America and south Asia,supplying obsolete and hard-to-find components to meet their specific needs.

With the principle of "Quality Parts,Customers Priority,Honest Operation,and Considerate Service",our business mainly focus on the distribution of electronic components. Line cards we deal with include Microchip,ALPS,ROHM,Xilinx,Pulse,ON,Everlight and Freescale. Main products comprise IC,Modules,Potentiometer,IC Socket,Relay,Connector.Our parts cover such applications as commercial,industrial, and automotives areas.

We are looking forward to setting up business relationship with you and hope to provide you with the best service and solution. Let us make a better world for our industry!



## Contact us

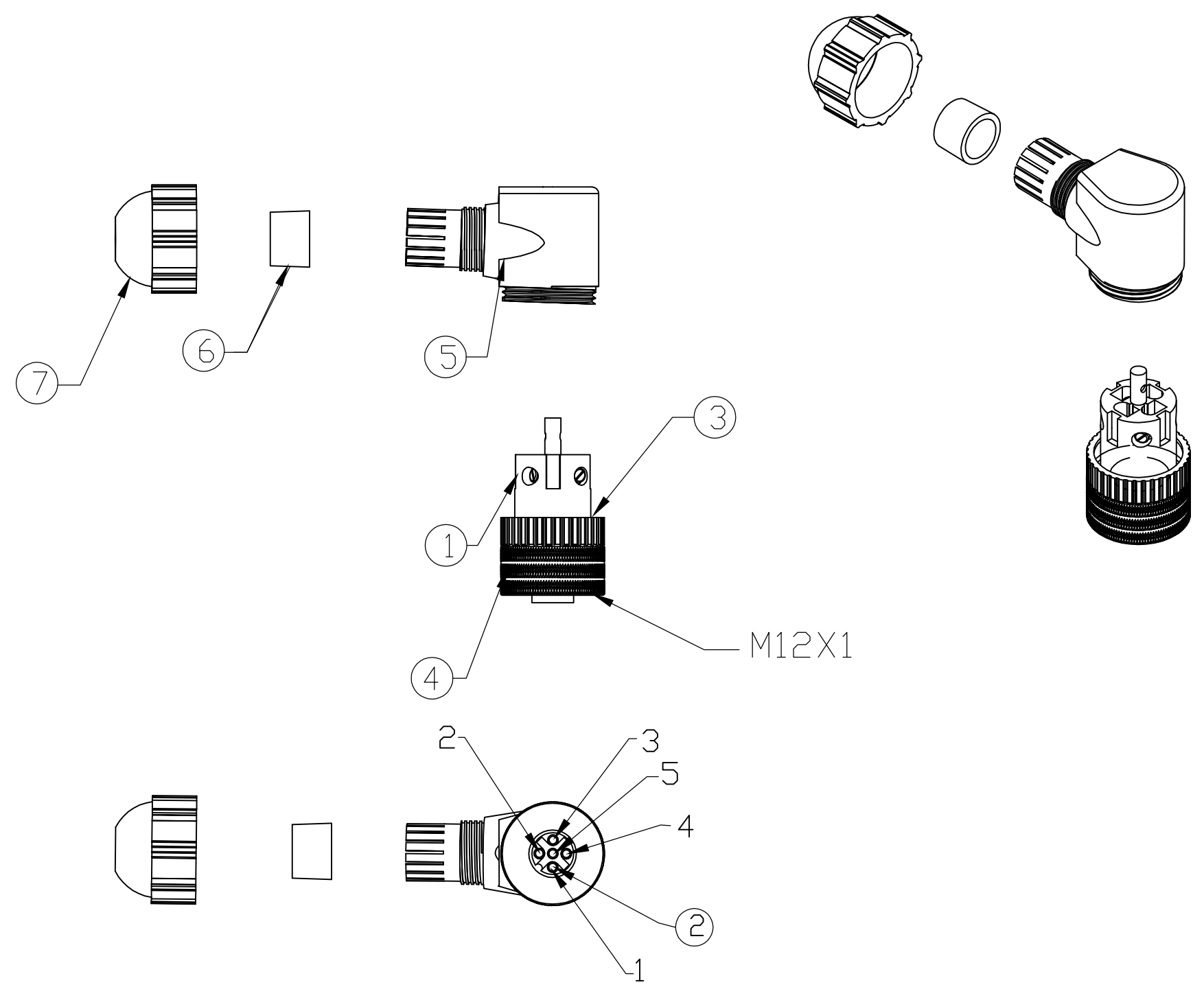
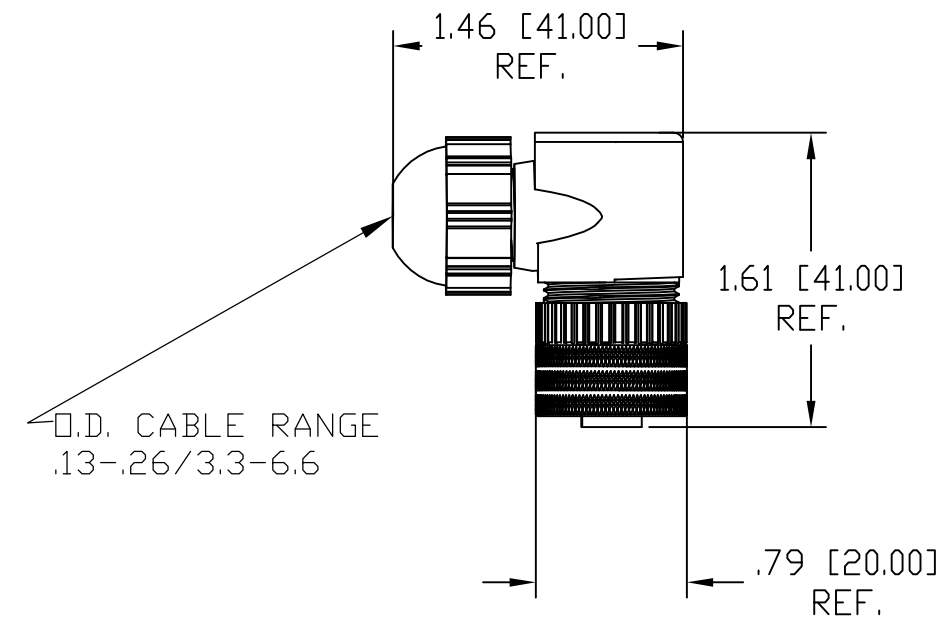
Tel: +86-755-8981 8866 Fax: +86-755-8427 6832

Email & Skype: info@chipsmall.com Web: www.chipsmall.com

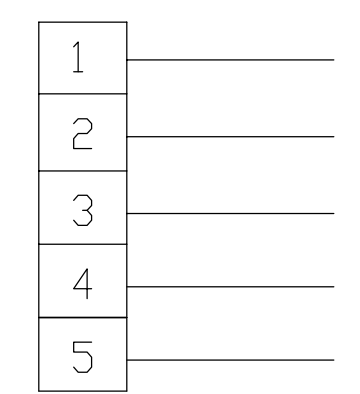
Address: A1208, Overseas Decoration Building, #122 Zhenhua RD., Futian, Shenzhen, China



|                 |                    |
|-----------------|--------------------|
| MATERIAL NUMBER | ENGINEERING NUMBER |
| 1200710044      | 8A5001-31          |



FEMALE FACE VIEW



WIRING CHART

|                       |                                |
|-----------------------|--------------------------------|
| VOLTAGE RATING        | 30VAC/36VDC                    |
| AMPERAGE RATING       | 4 AMPS                         |
| PROTECTION            | IP67                           |
| OPERATING TEMPERATURE | -25°C TO 90°C                  |
| CSA CERTIFICATIONS    | CSA CERTIFIED, FILE NO. LR6837 |

| ITEM |   | COMPONENT      | MATERIAL     | FINISH        |
|------|---|----------------|--------------|---------------|
| 1    | 1 | INSERT         | POLYAMIDE    | BLACK         |
| 2    | 5 | CONTACTS       | COPPER ALLOY | SILVER PLATED |
| 3    | 1 | O-RING         | NITRILE      | BLACK         |
| 4    | 1 | COUPLING NUT   | BRASS        | NICKEL PLATED |
| 5    | 1 | MOLDED BODY    | POLYAMIDE    | BLACK         |
| 6    | 1 | GROMMET        | NITRILE      | BLACK         |
| 7    | 1 | CORD GRIP BODY | POLYAMIDE    | BLACK         |

|  |                    |  |  |  |                     |   |                        |
|--|--------------------|--|--|--|---------------------|---|------------------------|
| RELEASE<br>EC NO: WEU2010-0045<br>DRWN: TWOLDEGE 8/18/09<br>CH'KD: BWOODMAN<br>APPR: JFMURPHY 2009/08/21 | DESCRIPTION<br>REV | QUALITY SYMBOL<br>▽=0<br>▽C=0                        | GENERAL TOLERANCES (UNLESS SPECIFIED)<br>mm INCH<br>4 PLACES ±--- ±---<br>3 PLACES ±--- ±---<br>2 PLACES ±--- ±.01<br>1 PLACE ±0.3 ±---<br>ANGULAR ±---° | DIMENSION STYLE<br>---   | SCALE<br>---        | DESIGN UNITS<br>INCH  | THIRD ANGLE PROJECTION |
|  |                    | DRAWN BY DATE<br>TWOLDEGE 2009/08/18                 | CHECKED BY DATE<br>BWOODMAN 2009/08/18   | TITLE<br>MIC 5P FEMALE ATTACH 90D<br>.13-.26 O.D. CABLE RANGE<br>PG7 CABLE FITTING |                     |   |                        |
|  |                    | APPROVED BY DATE<br>---                              | MATERIAL NO.<br>1200710044   | DOCUMENT NO.<br>SD-120071-010  | SHEET NO.<br>1 OF 1 |   |                        |
|  |                    | DRAFT WHERE APPLICABLE MUST REMAIN WITHIN DIMENSIONS |  |  |                     | THIS DRAWING CONTAINS INFORMATION THAT IS PROPRIETARY TO MOLEX INCORPORATED AND SHOULD NOT BE USED WITHOUT WRITTEN PERMISSION |                        |