



Chipsmall Limited consists of a professional team with an average of over 10 year of expertise in the distribution of electronic components. Based in Hongkong, we have already established firm and mutual-benefit business relationships with customers from,Europe,America and south Asia,supplying obsolete and hard-to-find components to meet their specific needs.

With the principle of "Quality Parts,Customers Priority,Honest Operation,and Considerate Service",our business mainly focus on the distribution of electronic components. Line cards we deal with include Microchip,ALPS,ROHM,Xilinx,Pulse,ON,Everlight and Freescale. Main products comprise IC,Modules,Potentiometer,IC Socket,Relay,Connector.Our parts cover such applications as commercial,industrial, and automotives areas.

We are looking forward to setting up business relationship with you and hope to provide you with the best service and solution. Let us make a better world for our industry!



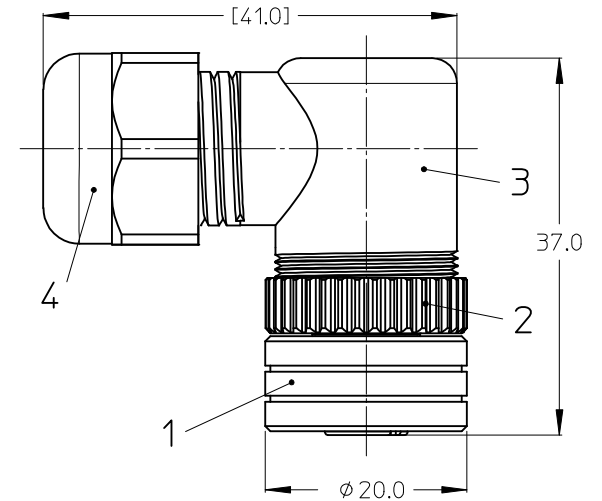
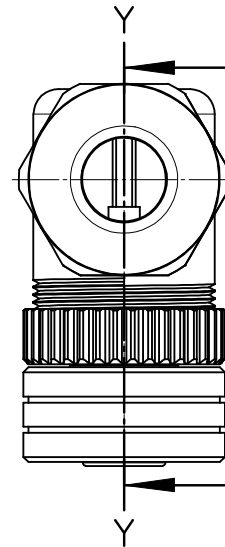
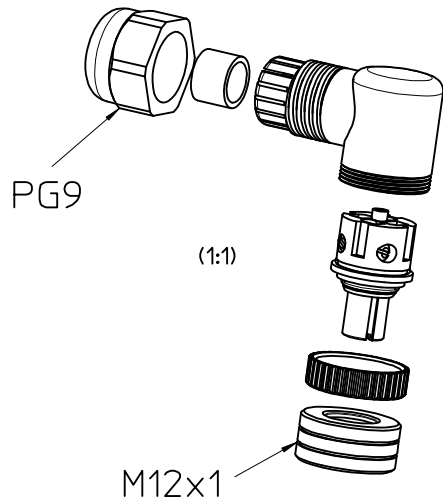
Contact us

Tel: +86-755-8981 8866 Fax: +86-755-8427 6832

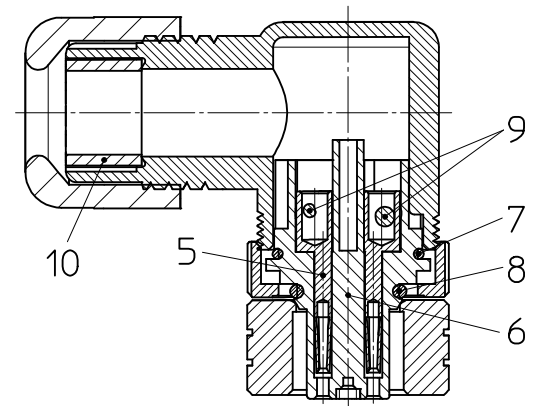
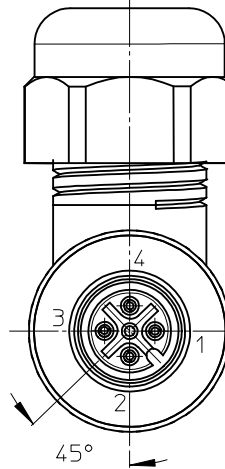
Email & Skype: info@chipsmall.com Web: www.chipsmall.com

Address: A1208, Overseas Decoration Building, #122 Zhenhua RD., Futian, Shenzhen, China





ITEM	QTY	DESCRIPTION	MATERIAL	FINISH
10	1	M12 GROMMET PG9	CR/NBR (BLACK)	-
9	4	SCREW M2.5x5.2	ST	ZN
8	1	O-RING 7.1x1.35	FPM 60 (RED)	-
7	1	O-RING 13x1	NBR 70	-
6	1	FEMALE INSERT, 5P	PA (BLACK)	-
5	4	FEMALE CONTACT PIN	COPPER ALLOY	NI3b
4	1	HUT NUT PG9	PA6 (BLACK)	-
3	1	HSG RA PG9	POLYAMIDE (BLACK)	-
2	1	LOCK RING	PA (BLACK)	-
1	1	COUPLING NUT	BRASS	ZN



Y-Y

ENG.-NO.: 8A4001-32

Notes:

- ELECTRICAL RATINGS:
CURRENT: 4AMP MAX
VOLTAGE: 250V AC/ 300V DC
- MECHANICAL:
TEMPERATURE RANGE: -25° TO +90°C
INGRESS PROTECTION: IP 67

ENTER DESCRIPTION EC NO: IPG2013-1023 DRW:RSCHIEBER 2013/01/16 CHKD:APOHL 2013/01/16 APPR:CBURGER 2013/01/29	QUALITY SYMBOLS ▽=0 ◻=0	GENERAL TOLERANCES (UNLESS SPECIFIED)		DIMENSION STYLE MM ONLY		SCALE 2:1	DESIGN UNITS METRIC	THIRD ANGLE PROJECTION	
		mm	INCH	DRAWN BY RSCHIEBER	DATE 2013/01/16	TITLE FA M12 4P FE RA PG9	molex		
1	DESCRIPTION	4 PLACES	± ---	± ---	CHECKED BY APOHL	DATE 2013/01/16	DOCUMENT NO. SD-120071-014	SHEET NO. 1 OF 1	THIS DRAWING CONTAINS INFORMATION THAT IS PROPRIETARY TO MOLEX INCORPORATED AND SHOULD NOT BE USED WITHOUT WRITTEN PERMISSION
		3 PLACES	± ---	± ---	APPROVED BY CBURGER	DATE 2013/01/29			
		2 PLACES	± 0.05	± ---	MATERIAL NO. 1200715010				
		1 PLACE	± 0.10	± ---	DRAFT WHERE APPLICABLE MUST REMAIN WITHIN DIMENSIONS				
		0 PLACE	± 0.50	± ---	SIZE A3				