



Chipsmall Limited consists of a professional team with an average of over 10 year of expertise in the distribution of electronic components. Based in Hongkong, we have already established firm and mutual-benefit business relationships with customers from,Europe,America and south Asia,supplying obsolete and hard-to-find components to meet their specific needs.

With the principle of “Quality Parts,Customers Priority,Honest Operation,and Considerate Service”,our business mainly focus on the distribution of electronic components. Line cards we deal with include Microchip,ALPS,ROHM,Xilinx,Pulse,ON,Everlight and Freescale. Main products comprise IC,Modules,Potentiometer,IC Socket,Relay,Connector.Our parts cover such applications as commercial,industrial, and automotives areas.

We are looking forward to setting up business relationship with you and hope to provide you with the best service and solution. Let us make a better world for our industry!



## Contact us

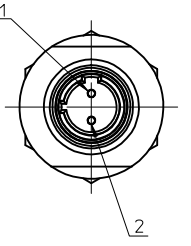
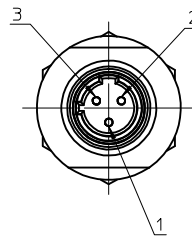
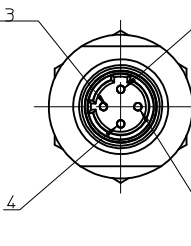
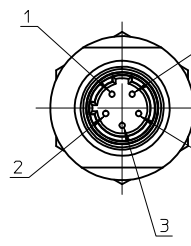
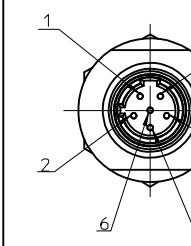
Tel: +86-755-8981 8866 Fax: +86-755-8427 6832

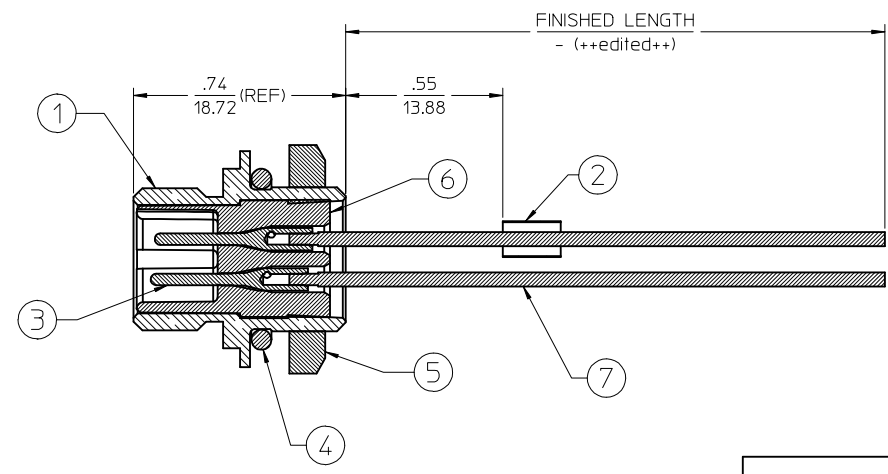
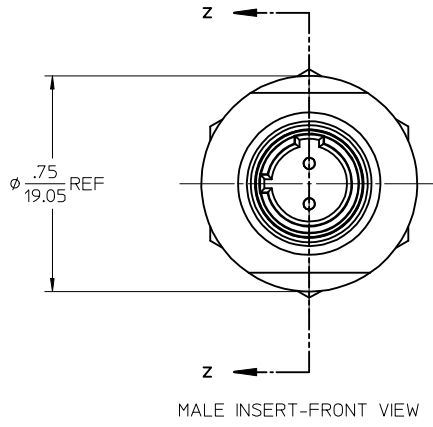
Email & Skype: info@chipsmall.com Web: www.chipsmall.com

Address: A1208, Overseas Decoration Building, #122 Zhenhua RD., Futian, Shenzhen, China



# FACE VIEW - MALE INSERT SCALE 2 : 1

|  |   |   |  |   |
|--|---|---|--|---|
|  |  |  |  |  |
| 1 BROWN<br>2 BLUE  | 1 GREEN<br>2 RED/BLACK<br>3 RED/WHITE   | 1 RED/BLACK<br>2 RED/WHITE<br>3 RED<br>4 GREEN                                    | 1 RED/WHITE<br>2 RED<br>3 GREEN<br>4 RED/YELLOW<br>5 RED/BLACK                     | 1 RED/WHITE<br>2 RED<br>3 GREEN<br>4 RED/YELLOW<br>5 RED/BLACK<br>6 RED/BLUE        |



FINAL ASSEMBLY  
 1200740030 (SHOWN)

| ENTER DESCRIPTION<br>EC NO: MNA2010-0078<br>DRAWN: NKUMAR01<br>CHKD: 2009/08/27<br>APPR: JFMURPHY<br>2009/08/28               | QUALITY SYMBOLS<br>▽=0<br>▽=0 | GENERAL TOLERANCES (UNLESS SPECIFIED)<br><table border="1" style="width: 100%; border-collapse: collapse;"> <thead> <tr> <th></th> <th>mm</th> <th>INCH</th> </tr> </thead> <tbody> <tr> <td>4 PLACES</td> <td>± .005</td> <td>± .0002</td> </tr> <tr> <td>3 PLACES</td> <td>± .005</td> <td>± .0002</td> </tr> <tr> <td>2 PLACES</td> <td>± .005</td> <td>± .0002</td> </tr> <tr> <td>1 PLACE</td> <td>± .005</td> <td>± .0002</td> </tr> </tbody> </table> ANGULAR ±1/2° |                               | mm                  | INCH | 4 PLACES | ± .005 | ± .0002 | 3 PLACES | ± .005 | ± .0002 | 2 PLACES | ± .005 | ± .0002 | 1 PLACE | ± .005 | ± .0002 | DIMENSION STYLE<br>IN/MM<br>DRAWN BY: NKUMAR01<br>DATE: 26/08/09<br>CHECKED BY: BWOODMAN<br>DATE: 26/08/09<br>APPROVED BY: JFMURPHY<br>DATE: 2009/08/27 | SCALE<br>2:1<br>DESIGN UNITS<br>INCH | THIRD ANGLE PROJECTION<br>TITLE<br>MIC 2P MR 12IN.<br>1/4NPT #22 PVC |
|---|-------------------------------|--|-------------------------------|---------------------|------|----------|--------|---------|----------|--------|---------|----------|--------|---------|---------|--------|---------|---|--------------------------------------|--|
|   |                               | mm   | INCH                          |                     |      |          |        |         |          |        |         |          |        |         |         |        |         |   |                                      |  |
|   | 4 PLACES                      | ± .005   | ± .0002                       |                     |      |          |        |         |          |        |         |          |        |         |         |        |         |   |                                      |  |
|   | 3 PLACES                      | ± .005   | ± .0002                       |                     |      |          |        |         |          |        |         |          |        |         |         |        |         |   |                                      |  |
| 2 PLACES  | ± .005                        | ± .0002  |                               |                     |      |          |        |         |          |        |         |          |        |         |         |        |         |   |                                      |  |
| 1 PLACE   | ± .005                        | ± .0002  |                               |                     |      |          |        |         |          |        |         |          |        |         |         |        |         |   |                                      |  |
| DRAFT WHERE APPLICABLE<br>MUST REMAIN<br>WITHIN DIMENSIONS  | SEE SHEET 2                   | MOLEX INCORPORATED   | DOCUMENT NO.<br>SD-120074-030 | SHEET NO.<br>1 OF 2 |      |          |        |         |          |        |         |          |        |         |         |        |         |   |                                      |  |
| THIS DRAWING CONTAINS INFORMATION THAT IS PROPRIETARY TO MOLEX INCORPORATED AND SHOULD NOT BE USED WITHOUT WRITTEN PERMISSION |                               |  |                               |                     |      |          |        |         |          |        |         |          |        |         |         |        |         |   |                                      |  |
| A   | 7                             | 6  | 5                             | 4                   | 3    |          |        |         |          |        |         |          |        |         |         |        |         |   |                                      |  |

MALE RECEPTACLE ASSEMBLY

| Sl. No. | DESCRIPTION                     | QUANTITY |        |        |        |        |
|---------|---------------------------------|----------|--------|--------|--------|--------|
|         |                                 | 2 POLE   | 3 POLE | 4 POLE | 5 POLE | 6 POLE |
| 1       | RECEPTACLE SHELL #1/4-18 NPT    | 1        | 1      | 1      | 1      | 1      |
| 2       | LABEL,SELF L.YELLOW(2.25X.75IN) | 1        | 1      | 1      | 1      | 1      |
| 3       | PIN CONT 2-4P MIC GLD #22AWG    | 2        | 3      | 4      |        |        |
|         | PIN CONT 5&6P MICGLD #22AWG     |          |        |        | 5      | 6      |
| 4       | O-RING .489 ID X .070 THK       | 1        | 1      | 1      | 1      | 1      |
| 5       | #1/4-18IN NPS LOCKNUT           | 1        | 1      | 1      | 1      | 1      |
| 6       | MIC 2P MALE INSERT (NYLON)      | 1        |        |        |        |        |
|         | MIC 3P MALE INSERT (NYLON)      |          | 1      |        |        |        |
|         | MIC 4P MALE INSERT (NYLON)      |          |        | 1      |        |        |
|         | MIC 5P MALE INSERT (NYLON)      |          |        |        | 1      |        |
|         | MIC 6P MALE INSERT (NYLON)      |          |        |        |        | 1      |
| 7       | #22-1 BLU PVC WIRE UL1061       | 1        |        |        |        |        |
|         | #22-1 GRN PVC WIRE UL1061       |          | 1      | 1      | 1      | 1      |
|         | #22-1 BRN PVC WIRE UL1061       | 1        |        |        |        |        |
|         | #22-1 RED PVC WIRE UL1061       |          |        | 1      | 1      | 1      |
|         | #22-1 RED/WHT PVC WIRE UL1061   |          | 1      | 1      | 1      | 1      |
|         | #22-1 RED/BLK PVC WIRE UL1061   |          | 1      | 1      | 1      | 1      |
|         | #22-1 RED/BLU PVC WIRE UL1061   |          |        |        |        | 1      |
|         | #22-1 RED/YEL PVC WIRE UL1061   |          |        |        | 1      | 1      |

| PART NUMBER | DESCRIPTION   | FINISHED LENGTH                  |
|-------------|---------------|----------------------------------|
| 1200740030  | 7R2A06A19A120 | 12.0" +.75" -0 [0.3M +19.1MM -0] |
| 1200740079  | 7R3A06A19A120 | 12.0" +.75" -0 [0.3M +19.1MM -0] |
| 1200740140  | 7R4A06A19A120 | 12.0" +.75" -0 [0.3M +19.1MM -0] |
| 1200740190  | 7R5A06A19A120 | 12.0" +.75" -0 [0.3M +19.1MM -0] |
| 1200740241  | 7R6A06A19A120 | 12.0" +.75" -0 [0.3M +19.1MM -0] |

|  |                            |   |  |   |   |  |                        |  |  |
|--|----------------------------|---|--|---|---|--|------------------------|--|--|
| <b>ENTER DESCRIPTION</b><br>EC NO: MNA2010-0078<br>DRAWN BY: DRWINAKUMAR01 2009/08/26<br>CHKD: 2009/08/27<br>APPR: JFMURPHY 2009/08/28<br>REV: A | <b>QUALITY SYMBOLS</b><br> | GENERAL TOLERANCES (UNLESS SPECIFIED)   |  | DIMENSION STYLE<br>IN/MM                  | SCALE<br>2:1  | DESIGN UNITS<br>INCH                       | THIRD ANGLE PROJECTION |  |  |
|  |                            | 4 PLACES ± --- ± ---<br>3 PLACES ± --- ± ---<br>2 PLACES ± --- ± ---<br>1 PLACE ± --- ± --- | mm INCH<br>± --- ± ---<br>± --- ± ---<br>± --- ± --- | DRAWN BY: NKUMAR01<br>DATE: 26/08/09      | CHECKED BY: BWOODMAN<br>DATE: 26/08/09  | TITLE<br>MIC 2P MR 12IN.<br>1/4NPT #22 PVC |                        |  |  |
|  |                            | ANGULAR ±1/2°   |  | APPROVED BY: JFMURPHY<br>DATE: 2009/08/27 | MATERIAL NO. SEE CHART<br>DOCUMENT NO. SD-120074-030  |  |                        |  |  |
|  |                            | DRAFT WHERE APPLICABLE<br>MUST REMAIN WITHIN DIMENSIONS                                     |  | SIZE C                                    | THIS DRAWING CONTAINS INFORMATION THAT IS PROPRIETARY TO MOLEX INCORPORATED AND SHOULD NOT BE USED WITHOUT WRITTEN PERMISSION |  |                        |  |  |