



Chipsmall Limited consists of a professional team with an average of over 10 year of expertise in the distribution of electronic components. Based in Hongkong, we have already established firm and mutual-benefit business relationships with customers from,Europe,America and south Asia,supplying obsolete and hard-to-find components to meet their specific needs.

With the principle of "Quality Parts,Customers Priority,Honest Operation,and Considerate Service",our business mainly focus on the distribution of electronic components. Line cards we deal with include Microchip,ALPS,ROHM,Xilinx,Pulse,ON,Everlight and Freescale. Main products comprise IC,Modules,Potentiometer,IC Socket,Relay,Connector.Our parts cover such applications as commercial,industrial, and automotives areas.

We are looking forward to setting up business relationship with you and hope to provide you with the best service and solution. Let us make a better world for our industry!



Contact us

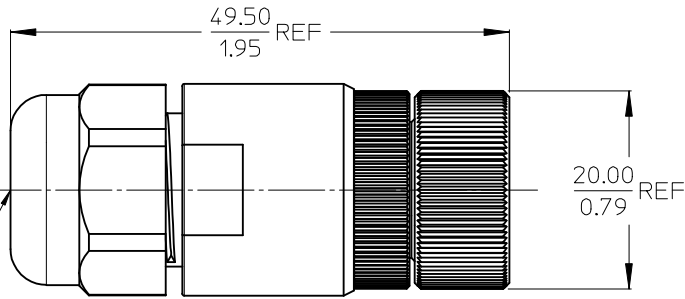
Tel: +86-755-8981 8866 Fax: +86-755-8427 6832

Email & Skype: info@chipsmall.com Web: www.chipsmall.com

Address: A1208, Overseas Decoration Building, #122 Zhenhua RD., Futian, Shenzhen, China



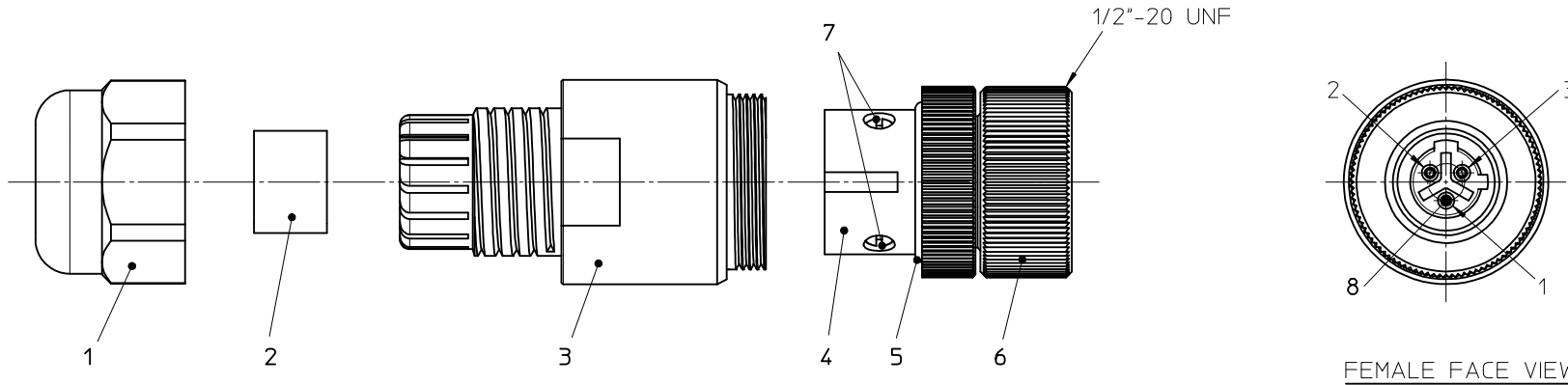
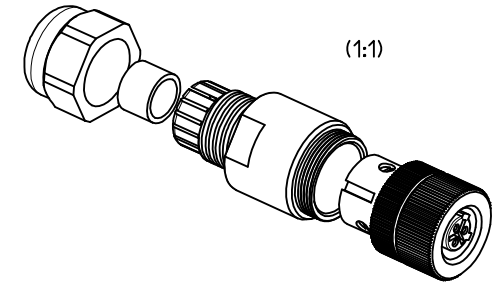
10 9 8 7 6 5 4 3 2 1



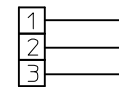
O.D. CABLE RANGE
4.1-8.1/.16-.32

WIRING CHART

VOLTAGE RATING	250VAC/DC
AMPERAGE RATING	4 AMPS
PROTECTION	IP67
OPERATING TEMPERATURE	-40°C to 185°C



FEMALE FACE VIEW



ENG.-NO.: 7A3000-32

ITEM	QTY	COMPONENT	MATERIAL	FINISH
1	1	HUT NUT M12	PA6	BK
2	1	GROMMET	CR/NBR	BK
3	1	ENDSLEEVE	PA66	BK
4	1	INSERT	NYLON	BK
5	1	GASKET	NITRILE	BK
6	1	COUPLING NUT	BRASS	NI PLATED
7	3	SCREW	BRASS	ZN
8	3	CONTACT	COPPER ALLOY	AU PLATED

ENTER DESCRIPTION EC NO: IPG2013-0649 2012/11/14 DRW:RSCHIEBER 2012/11/14 CHKD:APOHL 2012/11/14 APPR:CBURGER 2012/11/26	QUALITY SYMBOLS ▽=0 ◻=0	GENERAL TOLERANCES (UNLESS SPECIFIED)		DIMENSION STYLE MM/IN		SCALE 2:1	DESIGN UNITS METRIC	THIRD ANGLE PROJECTION	
		4 PLACES ± --- ± --- 3 PLACES ± --- ± --- 2 PLACES ± --- ± .01 1 PLACE ± 0.3 ± --- 0 PLACE ± --- ± --- ANGULAR ± --- °	mm INCH DRAWN BY DATE RSCHIEBER 2012/11/14 CHECKED BY DATE APOHL 2012/11/14 APPROVED BY DATE CBURGER 2012/11/26	MATERIAL NO. 1200750015		TITLE FA M12 3P 2C FE STR PG9		DOCUMENT NO. SD-120075-007	
DRAFT WHERE APPLICABLE MUST REMAIN WITHIN DIMENSIONS		THIS DRAWING CONTAINS INFORMATION THAT IS PROPRIETARY TO MOLEX INCORPORATED AND SHOULD NOT BE USED WITHOUT WRITTEN PERMISSION		SIZE A3					

9 8 7 6 5 4 3 2 1