



Chipsmall Limited consists of a professional team with an average of over 10 year of expertise in the distribution of electronic components. Based in Hongkong, we have already established firm and mutual-benefit business relationships with customers from,Europe,America and south Asia,supplying obsolete and hard-to-find components to meet their specific needs.

With the principle of “Quality Parts,Customers Priority,Honest Operation,and Considerate Service”,our business mainly focus on the distribution of electronic components. Line cards we deal with include Microchip,ALPS,ROHM,Xilinx,Pulse,ON,Everlight and Freescale. Main products comprise IC,Modules,Potentiometer,IC Socket,Relay,Connector.Our parts cover such applications as commercial,industrial, and automotives areas.

We are looking forward to setting up business relationship with you and hope to provide you with the best service and solution. Let us make a better world for our industry!



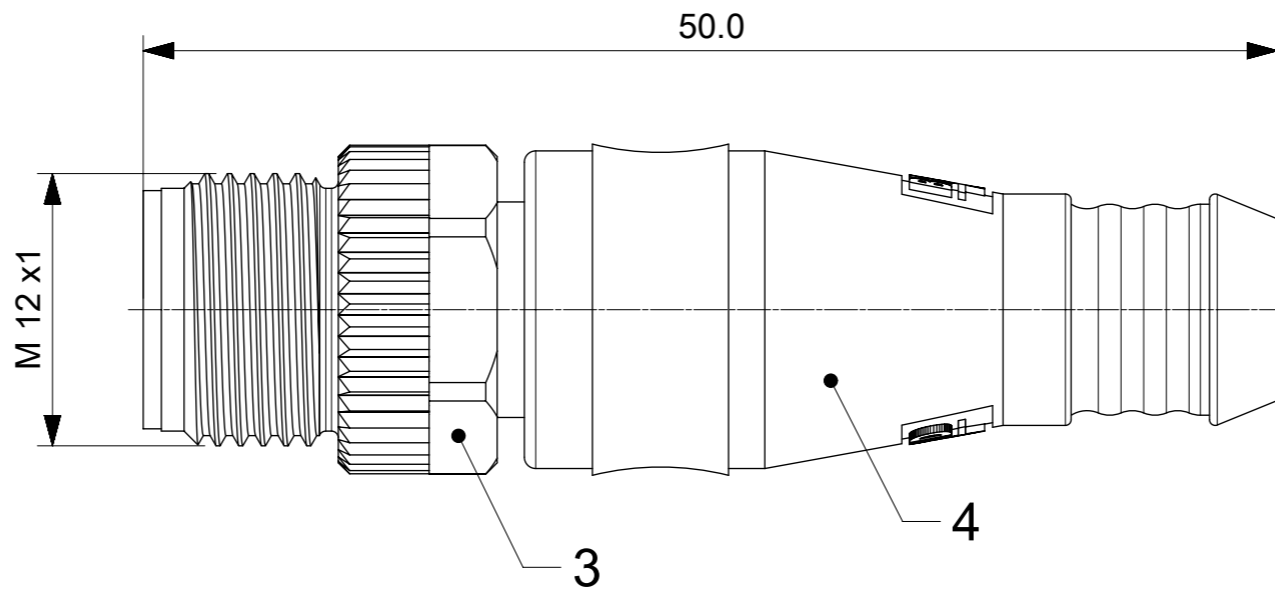
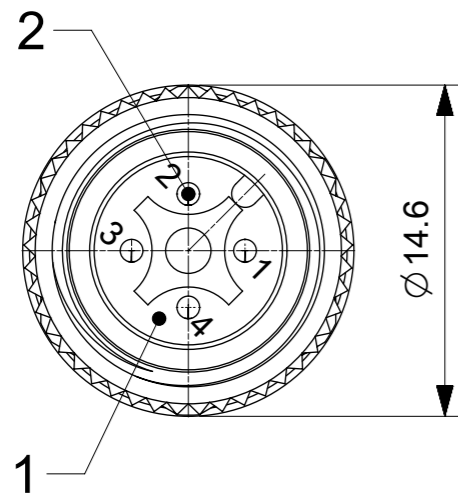
Contact us

Tel: +86-755-8981 8866 Fax: +86-755-8427 6832

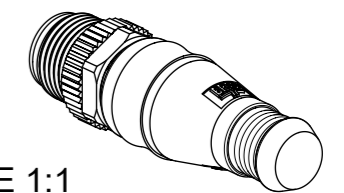
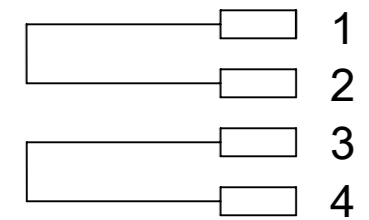
Email & Skype: info@chipsmall.com Web: www.chipsmall.com

Address: A1208, Overseas Decoration Building, #122 Zhenhua RD., Futian, Shenzhen, China





WIRING DIAGRAM
Verdrahtungsplan



SCALE 1:1

POS.	QTY.	DESCRIPTION	MATERIAL	FINISH
1	1	INSERT	PUR	BLACK
2	4	CONTACT	COPPER ALLOY	GOLD OVER NICKEL
3	1	NUT	BRASS	NICKEL PLATED
4	1	OVERMOULD	TPU	RED

THIS DRAWING CONTAINS INFORMATION THAT IS PROPRIETARY TO MOLEX INCORPORATED AND SHOULD NOT BE USED WITHOUT WRITTEN PERMISSION												
QUALITY SYMBOLS ▽ = 0 ▽ = 0 ▽ = 0 ▼ = 0 ▽ = 0 ☒ = 0 ■ = 0 ▽ = 0	EC DESCRIPTION EC NO: 104087 DRWN: ULETTENMEIER CHK'D: APPR: CBRUNS	2016/04/06 2016/04/07	GENERAL TOLERANCES (UNLESS SPECIFIED)		DIMENSION UNITS	SCALE						
			ANGULAR TOL ± 1.0 °		MM	3:1						
			4 PLACES ±	EJESKE		DATE		PLUG M12 4P AC MA STR SE BRASS AU				
			3 PLACES ±	2015/11/04		DATE						
			2 PLACES ± 0.05	CHK'D BY		DATE		PRODUCT CUSTOMER DRAWING				
1 PLACE ± 0.3	RSILLER		2015/12/02									
0 PLACES ± 0.5	DRAFT WHERE APPLICABLE MUST REMAIN WITHIN DIMENSIONS		DRAWING SIZE	THIRD ANGLE PROJECTION	SERIES	MATERIAL NUMBER	CUSTOMER					
A1		REV	A3		120076	1200768034	GENERAL MARKET					
					DOCUMENT NUMBER	DOC TYPE	DOC PART	SHEET NUMBER				
					1200768034	PSD	000	1 OF 1				