



Chipsmall Limited consists of a professional team with an average of over 10 year of expertise in the distribution of electronic components. Based in Hongkong, we have already established firm and mutual-benefit business relationships with customers from,Europe,America and south Asia,supplying obsolete and hard-to-find components to meet their specific needs.

With the principle of “Quality Parts,Customers Priority,Honest Operation,and Considerate Service”,our business mainly focus on the distribution of electronic components. Line cards we deal with include Microchip,ALPS,ROHM,Xilinx,Pulse,ON,Everlight and Freescale. Main products comprise IC,Modules,Potentiometer,IC Socket,Relay,Connector.Our parts cover such applications as commercial,industrial, and automotives areas.

We are looking forward to setting up business relationship with you and hope to provide you with the best service and solution. Let us make a better world for our industry!



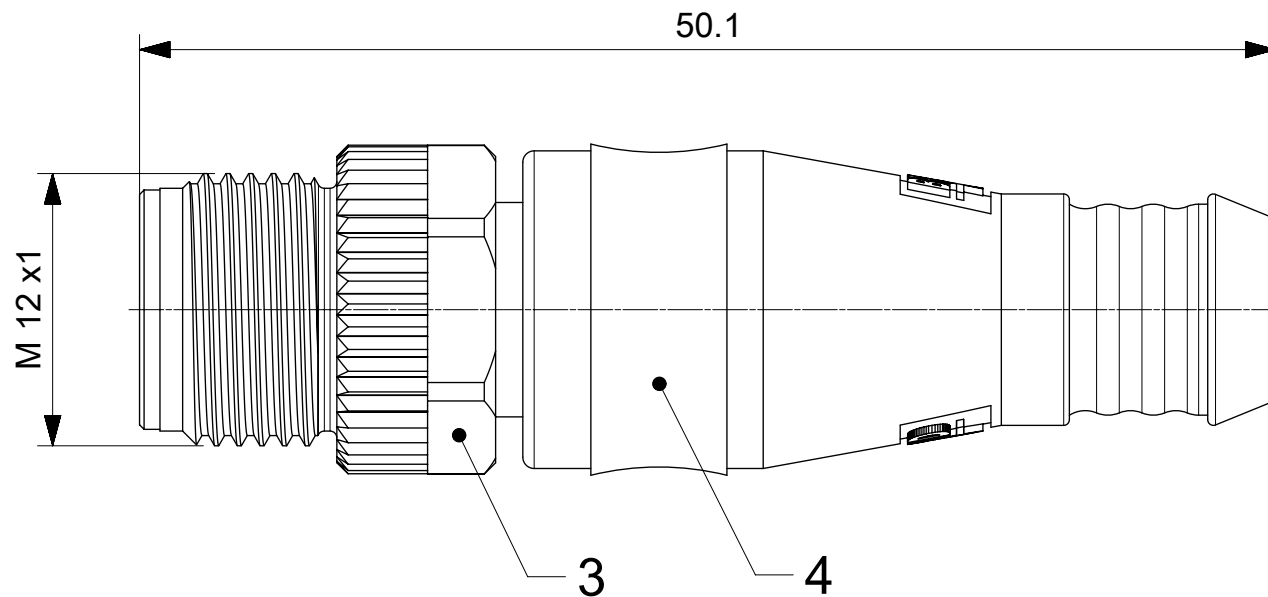
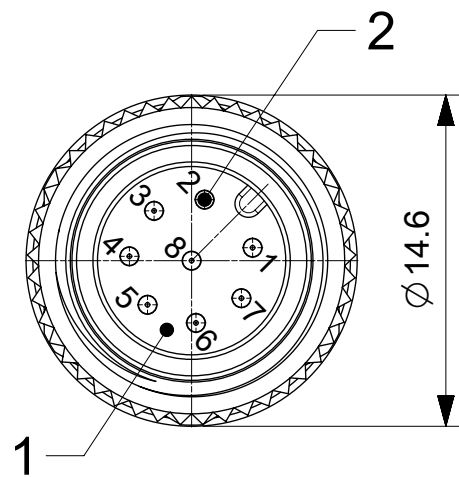
Contact us

Tel: +86-755-8981 8866 Fax: +86-755-8427 6832

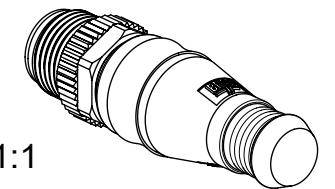
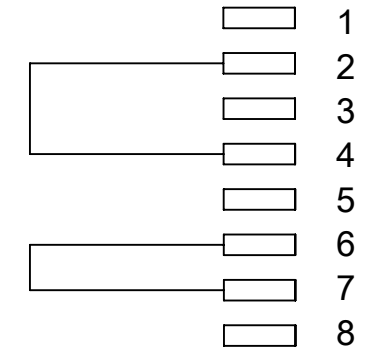
Email & Skype: info@chipsmall.com Web: www.chipsmall.com

Address: A1208, Overseas Decoration Building, #122 Zhenhua RD., Futian, Shenzhen, China





WIRING DIAGRAM
Verdrahtungsplan



SCALE 1:1

POS.	QTY.	DESCRIPTION	MATERIAL	FINISH
1	1	INSERT	TPU	BLACK
2	8	CONTACT	BRASS	GOLD OVER NICKEL
3	1	NUT	BRASS	NICKEL PLATED
4	1	OVERMOULD	TPU	RED

THIS DRAWING CONTAINS INFORMATION THAT IS PROPRIETARY TO MOLEX INCORPORATED AND SHOULD NOT BE USED WITHOUT WRITTEN PERMISSION														
QUALITY SYMBOLS ▽ = 0 ▽ = 0 ▽ = 0 ▼ = 1 ▽ = 1 ☒ = 0 ■ = 0 ▽ = 0	EC DESCRIPTION EC NO: 104087 DRWN: ULETTENMEIER CHK'D: APPR: CBRUNS	2016/04/06 2016/04/07	GENERAL TOLERANCES (UNLESS SPECIFIED)		DIMENSION UNITS	SCALE	 PLUG M12 8P AC MA STR SE BRASS AU PRODUCT CUSTOMER DRAWING							
			ANGULAR TOL ± 1.0 °		MM	3:1								
			4 PLACES ±	3 PLACES ±	DRWN BY	DATE								
			2 PLACES ± 0.05	1 PLACE ± 0.3	EJESKE	2015/10/26								
0 PLACES ± 0.5	DRAFT WHERE APPLICABLE MUST REMAIN WITHIN DIMENSIONS	CHK'D BY	DATE	SERIES					MATERIAL NUMBER		CUSTOMER			
		RSILLER	2015/12/02	DRAWING SIZE			THIRD ANGLE PROJECTION		120076	1200768035		GENERAL MARKET		
				A3			DOCUMENT NUMBER			DOC TYPE	DOC PART	SHEET NUMBER		
							1200768035			PSD	000	1 OF 1		