



Chipsmall Limited consists of a professional team with an average of over 10 year of expertise in the distribution of electronic components. Based in Hongkong, we have already established firm and mutual-benefit business relationships with customers from,Europe,America and south Asia,supplying obsolete and hard-to-find components to meet their specific needs.

With the principle of "Quality Parts,Customers Priority,Honest Operation,and Considerate Service",our business mainly focus on the distribution of electronic components. Line cards we deal with include Microchip,ALPS,ROHM,Xilinx,Pulse,ON,Everlight and Freescale. Main products comprise IC,Modules,Potentiometer,IC Socket,Relay,Connector.Our parts cover such applications as commercial,industrial, and automotives areas.

We are looking forward to setting up business relationship with you and hope to provide you with the best service and solution. Let us make a better world for our industry!



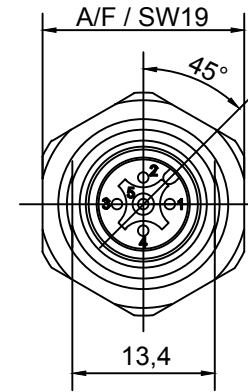
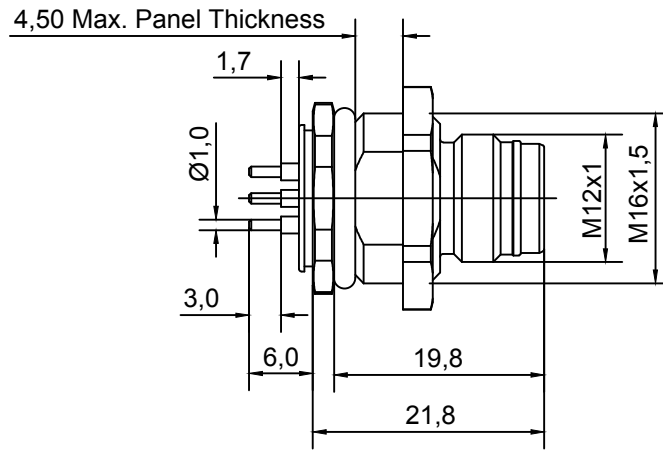
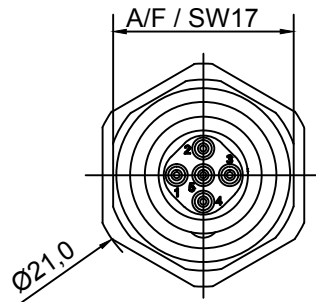
Contact us

Tel: +86-755-8981 8866 Fax: +86-755-8427 6832

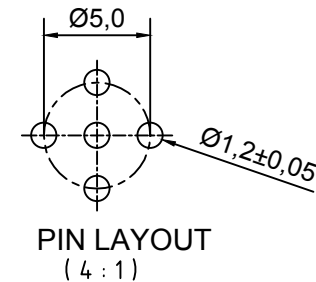
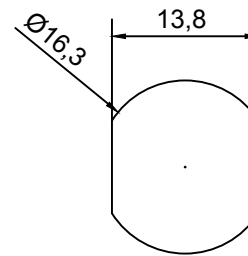
Email & Skype: info@chipsmall.com Web: www.chipsmall.com

Address: A1208, Overseas Decoration Building, #122 Zhenhua RD., Futian, Shenzhen, China





Ausschnitt / Cutout



ENG.-NO.: WR5U46000

Allgemeine Kennwerte General Characteristics		Norm Standard	
Polzahl	Number of contacts	IEC 947-5-2	5
Bemessungsspannung	Rated Voltage	IEC 664	60V AC / DC
Verschmutzungsgrad	Pollution Degree	IEC 664	3
Betriebsstrom	Current carrying capacity	IEC 512-3 Test 5 b	4A
Durchgangswiderstand	Contact Resistance	IEC 512-2 Test 2 A	< 5mΩ
Bemessungsstoßspannung	Rated Impulse	IEC 664	2kV
Prüfspannung	Test Voltage	IEC 60512-2 Test 4 A	1 kV / 60 sec
Isolationswiderstand	Insulation Resistance	IEC 512-2 Test 3 A	< 10 GΩ
IP - Schutzart	IP Degree Of Protection	IEC 529	IP69k
Stift Durchmesser	Pin Diameter		1,0mm
Werkstoffe	Kontakte	Contacts	Kupferlegierung / copper alloy
	Kontaktoberfläche	Contacts Plating	Au/Ni
	Kontaktträger	Dielectric Material	PA 6.6
	Dichtung (O-Ring)	Gaskets (O-Ring)	NBR
	Gehäuse	Housing	CuZn (brass) mit Ni-Oberfläche Nickel Plated
Anschlußart	Termination		Solder
Brennbarkeit	Kontaktträger	Inserts	UL 94 V-0
	Leitung / Kabel	Cable	VDE 0472 / 804
Mechanische Lebensdauer	Mechanical Operation		500 Steckzyklen / Mating Cycles
Temperaturbereich	Temperature Range	IEC 60668-1	-25°C / +90°C

DESCRIPTION	QUALITY SYMBOLS	GENERAL TOLERANCES (UNLESS SPECIFIED)		DIMENSION STYLE		SCALE	DESIGN UNITS	THIRD ANGLE PROJECTION
		mm	INCH	MM ONLY	DATE			
EC NO: IPG2016-1320 DRWN: BBR/RAUCH 2016/03/31 CHKD: REISSNER 2016/03/31 APPR: RS/ILLER 2012/12/13	▼ = 0 ▽ = 0	4 PLACES	±---	±---	REISSNER	2012/12/03	REC M12 5P AC MA STR M16 BM SOL BRA NI ---- molex	SHEET NO. 1 OF 1
		3 PLACES	±---	±---	CHECKED BY	DATE		
		2 PLACES	±0.05	±---	APOHL	2012/12/03		
		1 PLACE	±0.3	±---	APPROVED BY	DATE		
		0 PLACE	±0.5	±---	CBURGER	2012/12/13		
		ANGULAR ± 1°		MATERIAL NO.		DOCUMENT NO.		
DRAFT WHERE APPLICABLE MUST REMAIN WITHIN DIMENSIONS		1200840031		SD-120084-170				
B1	REV	SIZE A3		THIS DRAWING CONTAINS INFORMATION THAT IS PROPRIETARY TO MOLEX INCORPORATED AND SHOULD NOT BE USED WITHOUT WRITTEN PERMISSION				