



Chipsmall Limited consists of a professional team with an average of over 10 year of expertise in the distribution of electronic components. Based in Hongkong, we have already established firm and mutual-benefit business relationships with customers from,Europe,America and south Asia,supplying obsolete and hard-to-find components to meet their specific needs.

With the principle of “Quality Parts,Customers Priority,Honest Operation,and Considerate Service”,our business mainly focus on the distribution of electronic components. Line cards we deal with include Microchip,ALPS,ROHM,Xilinx,Pulse,ON,Everlight and Freescale. Main products comprise IC,Modules,Potentiometer,IC Socket,Relay,Connector.Our parts cover such applications as commercial,industrial, and automotives areas.

We are looking forward to setting up business relationship with you and hope to provide you with the best service and solution. Let us make a better world for our industry!



## Contact us

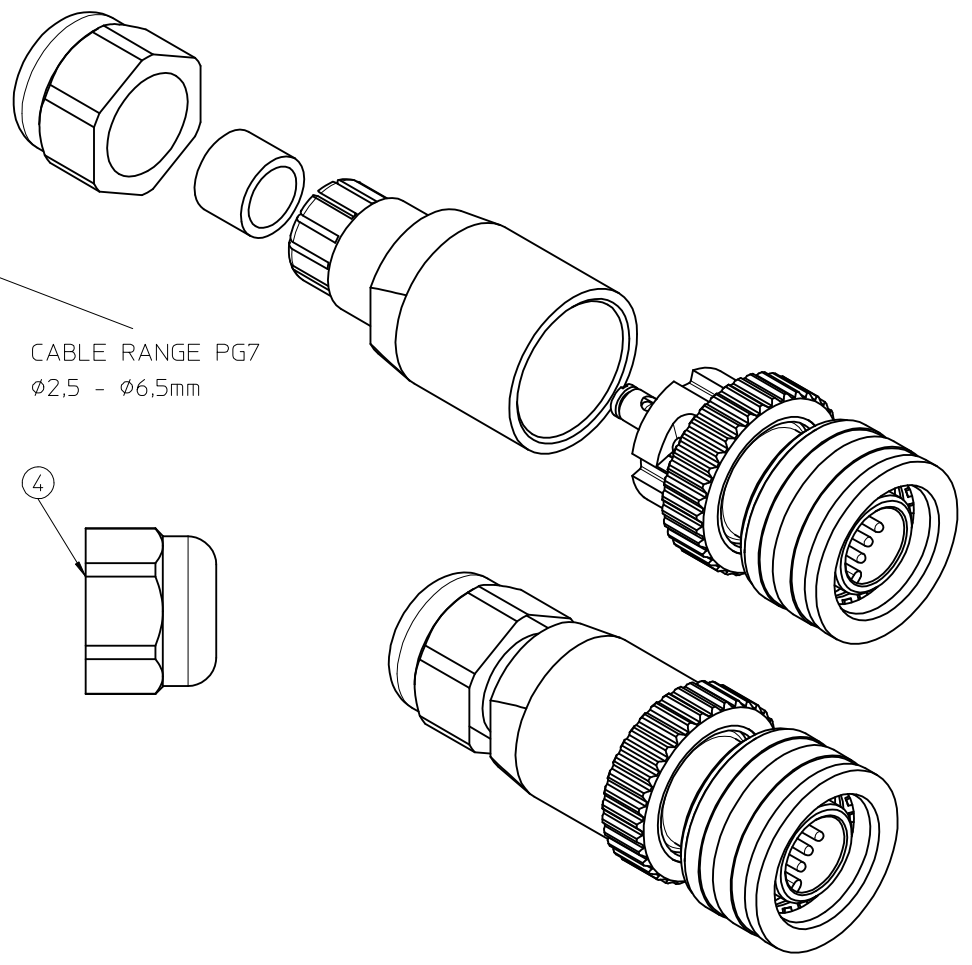
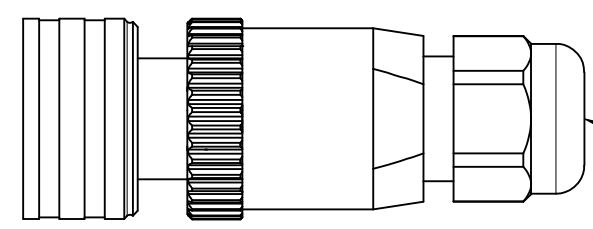
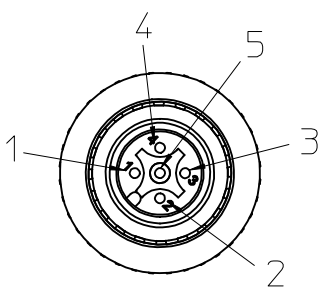
Tel: +86-755-8981 8866 Fax: +86-755-8427 6832

Email & Skype: info@chipsmall.com Web: www.chipsmall.com

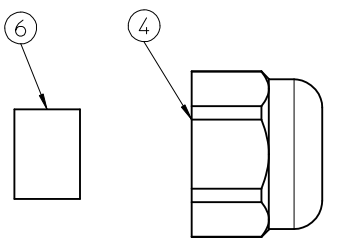
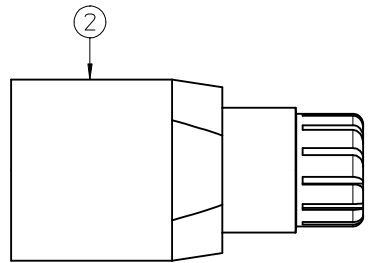
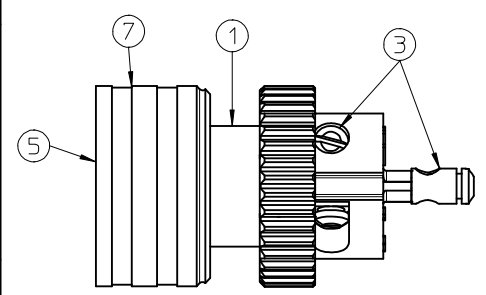
Address: A1208, Overseas Decoration Building, #122 Zhenhua RD., Futian, Shenzhen, China



10 9 8 7 6 5 4 3 2 1



CABLE RANGE PG7  
 Ø2,5 - Ø6,5mm



ITEM	COMPONENT	MATERIAL	FINISH
1	INSERT	PA	BLACK
2	HOUSING	PA	BLACK
3	CONTACT	BRASS / GOLD	CuZn Ni/ Au
4	PG NUT	PA	BLACK
5	O-RING	VITON	RED
6	GROMMET	CR	BLACK
7	ULTRA-LOCK	BRASS /ST.STEEL	NICKEL PLATED

POL	MATERIAL NO.	ENGINEERING NO.
4	1200850003	WA4006-31
5	1200850004	WA5006-31

**VOLTAGE RATING:** 4 POLE: 250 VAC/VDC  
 5 POLE: 30 VAC/36 VDC

**AMPERAGE RATING:** 4A

**PROTECTION CLASS:** IP 67/68/69K

**OPERATING TEMPERATURE:** -25°C / 90°C

**UL CERTIFICATION:** FILE NO. E152210

**CSA CERTIFICATIONS:** FILE NO. LR6837

ENTER DESCRIPTION  
 EC NO: IPG2013-2053  
 DRW:BBRAUCH 2013/06/28  
 CHKD:  
 APPR:CBURGER 2013/06/28  
 REV

QUALITY SYMBOLS	GENERAL TOLERANCES (UNLESS SPECIFIED)
▽=0	4 PLACES ± --- ± ---
◻=0	3 PLACES ± --- ± ---
	2 PLACES ± 0.05 ± ---
	1 PLACE ± 0.1 ± ---
	0 PLACE ± 0.5 ±
	ANGULAR ± 1 °
	DRAFT WHERE APPLICABLE MUST REMAIN WITHIN DIMENSIONS

DIMENSION STYLE		SCALE	DESIGN UNITS	THIRD ANGLE PROJECTION
MM ONLY		2:1	METRIC	☉
DRAWN BY	DATE	TITLE		
FPACHER	2009/12/22	FA U12 XP AC MA STR PG7 BK BRA		
CHECKED BY	DATE			
APPROVED BY	DATE			
FPACHER	2010/02/05	MATERIAL NO.	DOCUMENT NO.	SHEET NO.
			SD-120085-001	1 OF 1

THIS DRAWING CONTAINS INFORMATION THAT IS PROPRIETARY TO MOLEX INCORPORATED AND SHOULD NOT BE USED WITHOUT WRITTEN PERMISSION

9 8 7 6 5 4 3 2 1