



Chipsmall Limited consists of a professional team with an average of over 10 year of expertise in the distribution of electronic components. Based in Hongkong, we have already established firm and mutual-benefit business relationships with customers from,Europe,America and south Asia,supplying obsolete and hard-to-find components to meet their specific needs.

With the principle of “Quality Parts,Customers Priority,Honest Operation,and Considerate Service”,our business mainly focus on the distribution of electronic components. Line cards we deal with include Microchip,ALPS,ROHM,Xilinx,Pulse,ON,Everlight and Freescale. Main products comprise IC,Modules,Potentiometer,IC Socket,Relay,Connector.Our parts cover such applications as commercial,industrial, and automotives areas.

We are looking forward to setting up business relationship with you and hope to provide you with the best service and solution. Let us make a better world for our industry!



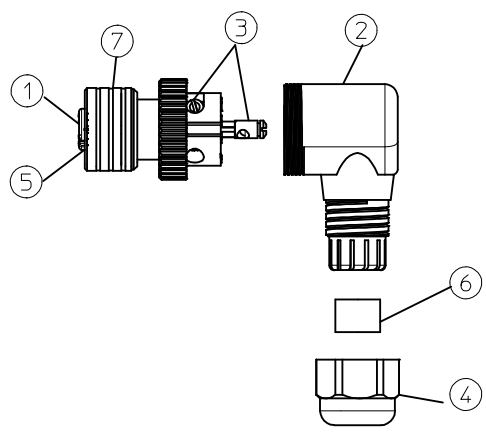
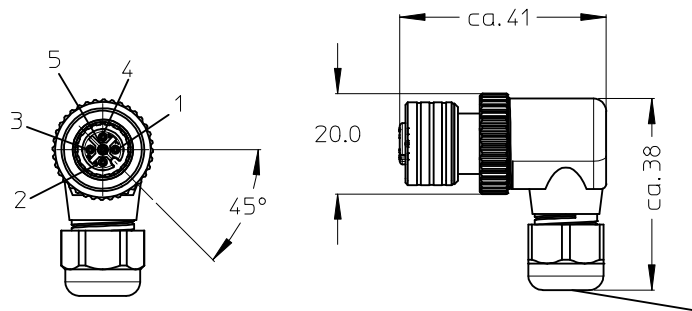
Contact us

Tel: +86-755-8981 8866 Fax: +86-755-8427 6832

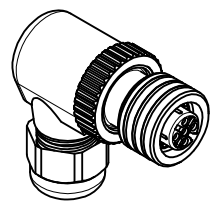
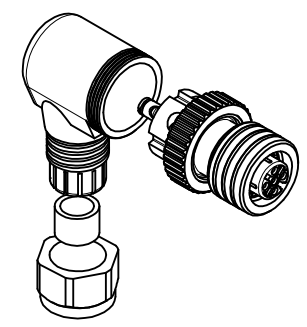
Email & Skype: info@chipsmall.com Web: www.chipsmall.com

Address: A1208, Overseas Decoration Building, #122 Zhenhua RD., Futian, Shenzhen, China





CABLE RANGE PG7
 Ø2,5 - Ø6,5mm



POL	MATERIAL NO.	ENGINEERING NO.
4	1200850015	WA4001-31
5	1200850016	WA5001-31

ITEM	COMPONENT	MATERIAL	FINISH
1	INSERT	PA	BLACK
2	HOUSING	PA	BLACK
3	CONTACT	BRASS / GOLD	CuZn Ni/ Au
4	PG NUT	PA	BLACK
5	O-RING	VITON	RED
6	GROMMET	CR	BLACK
7	ULTRA-LOCK	BRASS /ST.STEEL	NICKEL PLATED

VOLTAGE RATING: 4 POLE: 250 VAC/VDC
 5 POLE: 30 VAC/36 VDC

AMPERAGE RATING: 4A

PROTECTION CLASS: IP 67/68/69K

OPERATING TEMPERATURE: -25°C / 90°C

UL CERTIFICATION: FILE NO. E152210

CSA CERTIFICATIONS: FILE NO. LR6837

ENTER DESCRIPTION EC NO: IFG2013-2053 DRWN: BRAUCH 2013/06/28 CHKD: APPR: CUBURGER 2013/06/28	QUALITY SYMBOLS ▽=0 ▽=0
	REV 2

GENERAL TOLERANCES (UNLESS SPECIFIED)	
	mm INCH
4 PLACES	± --- ± ---
3 PLACES	± --- ± ---
2 PLACES	± 0.05 ± ---
1 PLACE	± 0.1 ± ---
0 PLACE	± --- ± ---
ANGULAR ± --- °	
DRAFT WHERE APPLICABLE MUST REMAIN WITHIN DIMENSIONS	

DIMENSION STYLE	
MM ONLY	
DRAWN BY	DATE
NSTAUDIGEL	2010/02/02
CHECKED BY	DATE
APPROVED BY	DATE
FPACHER	2010/02/05
MATERIAL NO.	

SCALE	DESIGN UNITS	THIRD ANGLE PROJECTION
1:1	METRIC	☉ □
TITLE		
FA U12 XP AC FE RA PG7 BK BRA		
DOCUMENT NO.		SHEET NO.
SD-120085-006		1 OF 1
THIS DRAWING CONTAINS INFORMATION THAT IS PROPRIETARY TO MOLEX INCORPORATED AND SHOULD NOT BE USED WITHOUT WRITTEN PERMISSION		

