



Chipsmall Limited consists of a professional team with an average of over 10 year of expertise in the distribution of electronic components. Based in Hongkong, we have already established firm and mutual-benefit business relationships with customers from,Europe,America and south Asia,supplying obsolete and hard-to-find components to meet their specific needs.

With the principle of “Quality Parts,Customers Priority,Honest Operation,and Considerate Service”,our business mainly focus on the distribution of electronic components. Line cards we deal with include Microchip,ALPS,ROHM,Xilinx,Pulse,ON,Everlight and Freescale. Main products comprise IC,Modules,Potentiometer,IC Socket,Relay,Connector.Our parts cover such applications as commercial,industrial, and automotives areas.

We are looking forward to setting up business relationship with you and hope to provide you with the best service and solution. Let us make a better world for our industry!



Contact us

Tel: +86-755-8981 8866 Fax: +86-755-8427 6832

Email & Skype: info@chipsmall.com Web: www.chipsmall.com

Address: A1208, Overseas Decoration Building, #122 Zhenhua RD., Futian, Shenzhen, China



6

5

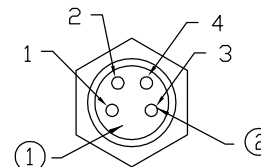
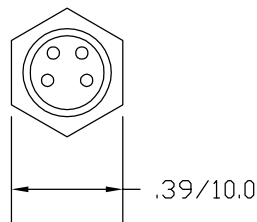
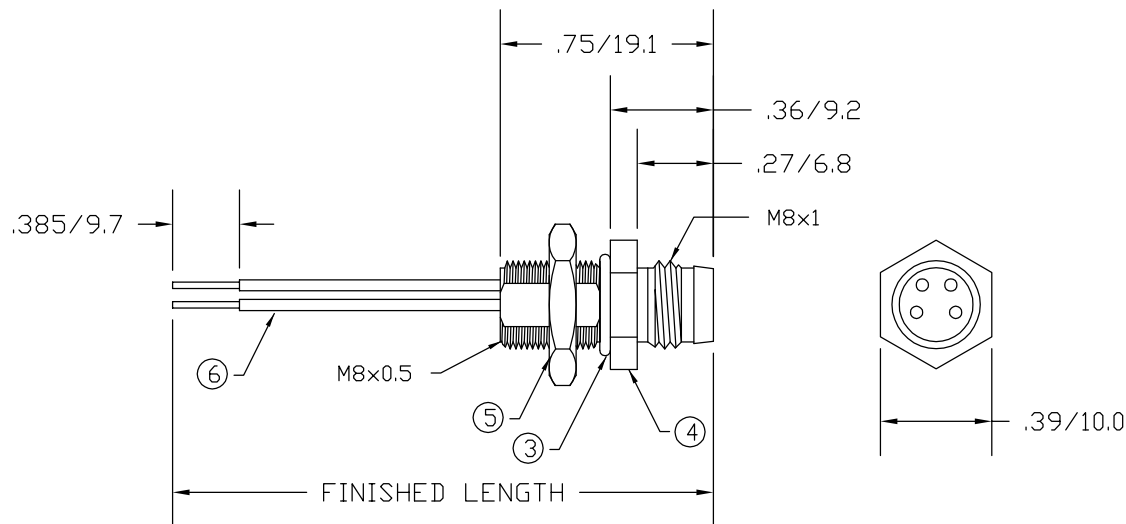
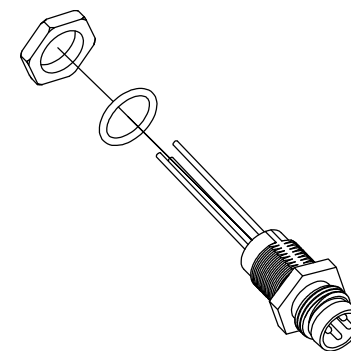
4

3

2

1

MATERIAL NUMBER	OLD PART NUMBER	FINISHED LENGTH
120090-0032	4R4P06A27C300	11.81" +.75" -0 [1.3M +19.1 -0]
120090-0033	4R4P06A27M010	3.28' +2.19" -0 [1.0M +55.6 -0]



MALE FACE VIEW

1	BROWN
2	WHITE
3	BLUE
4	BLACK

WIRING DIAGRAM

VOLTAGE RATING	60 VAC/ 75 VDC
AMPERAGE RATING	4 AMPS
PROTECTION	IP67
OPERATING TEMPERATURE	-20°C TO 105°C
UL CERTIFICATIONS	UL LISTED, FILE NO. E152210
CSA CERTIFICATIONS	CSA CERTIFIED, FILE NO. LR6837

ITEM	COMPONENT	MATERIAL	FINISH
1	INSERT	POLYURETHANE	BLACK
2	CONTACT PIN	COPPER ALLOY	GOLD OVER NICKEL
3	O-RING	NITRILE	BLACK
4	RECEPTACLE SHELL	BRASS	NICKEL PLATED
5	LOCKNUT	BRASS	NICKEL PLATED
6	CONDUCTOR- 24 AWG, (.22mm) COPPER (STRANDING) 3 CONDUCTOR	PVC	SEE WIRING DIAGRAM

RLSD DRAWING
 EC NO: WNA2010-0131
 DRWN: BWOODMAN 8/25/09
 CHKD: JM
 APPR: JFMURPHY 2009/08/27

QUALITY SYMBOLS
 ▽=0
 ▽/0

	GENERAL TOLERANCES (UNLESS SPECIFIED)	
	mm	INCH
4 PLACES	±----	±---
3 PLACES	±----	±---
2 PLACES	±----	±.01
1 PLACE	±0.3	±---
ANGULAR ±--°		

DIMENSION STYLE		SCALE	DESIGN UNITS
IN/MM		---	----
DRAWN BY	DATE	TITLE	
BW	2009/08/25	M8 RECEPTACLE 4 POLE MALE M8X0.5 MOUNTING THREADS	
CHECKED BY	DATE	MOLEX INCORPORATED	
TW	2009/08/25	SD-120090-007	
APPROVED BY	DATE	SHEET NO.	
JFMURPHY	2009/08/26	1 OF 1	
MATERIAL NO.	DOCUMENT NO.		

THIRD ANGLE PROJECTION

DRAFT WHERE APPLICABLE
 MUST REMAIN
 WITHIN DIMENSIONS

SIZE
 A

THIS DRAWING CONTAINS INFORMATION THAT IS PROPRIETARY TO MOLEX INCORPORATED AND SHOULD NOT BE USED WITHOUT WRITTEN PERMISSION

6

5

4

3

2

1

E

E

D

D

C

C

B

B

A

A