



Chipsmall Limited consists of a professional team with an average of over 10 year of expertise in the distribution of electronic components. Based in Hongkong, we have already established firm and mutual-benefit business relationships with customers from,Europe,America and south Asia,supplying obsolete and hard-to-find components to meet their specific needs.

With the principle of “Quality Parts,Customers Priority,Honest Operation,and Considerate Service”,our business mainly focus on the distribution of electronic components. Line cards we deal with include Microchip,ALPS,ROHM,Xilinx,Pulse,ON,Everlight and Freescale. Main products comprise IC,Modules,Potentiometer,IC Socket,Relay,Connector.Our parts cover such applications as commercial,industrial, and automotives areas.

We are looking forward to setting up business relationship with you and hope to provide you with the best service and solution. Let us make a better world for our industry!



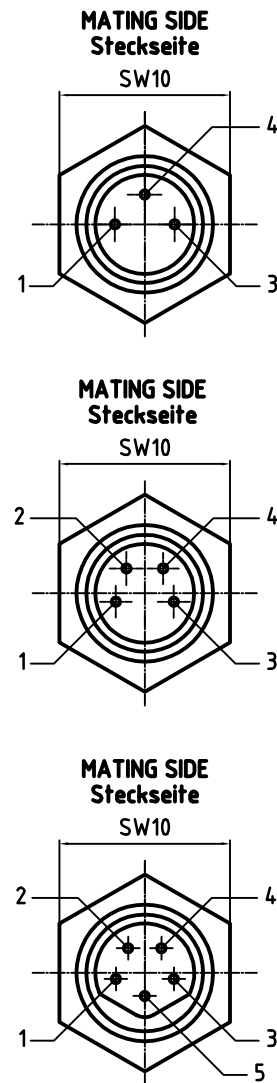
Contact us

Tel: +86-755-8981 8866 Fax: +86-755-8427 6832

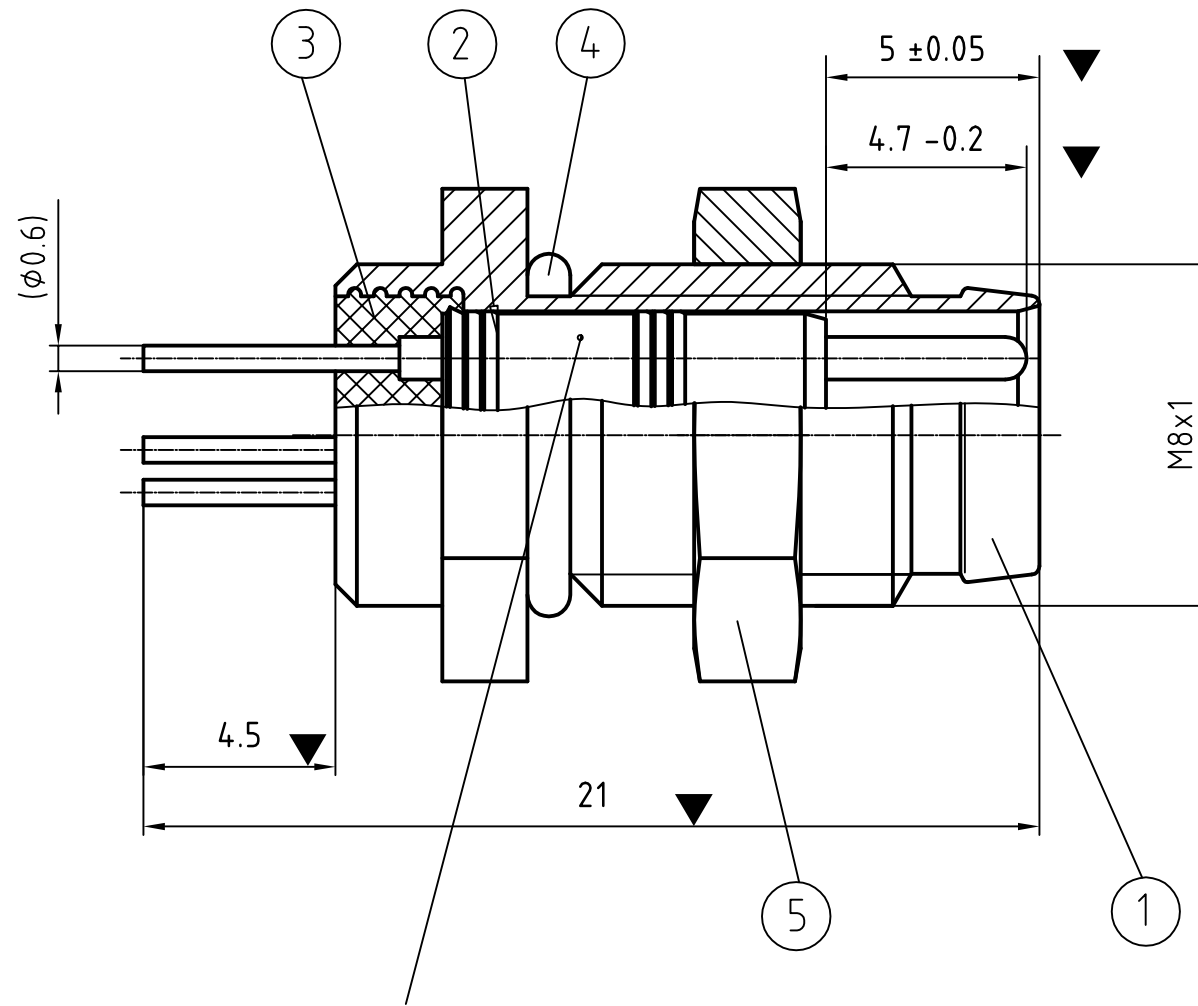
Email & Skype: info@chipsmall.com Web: www.chipsmall.com

Address: A1208, Overseas Decoration Building, #122 Zhenhua RD., Futian, Shenzhen, China





5P-VERSION AS SHOWN M 5:1
 5P Version wie dargestellt M 5:1



ATTENTION: THE MALE INSERT (POS. 2) is pressed in AGAINST 3- AND 4-POL VERSION NOT FROM THE MATING SIDE; BUT FROM THE TERMINATION SIDE.

Achtung: Der Stifteinsatz (Pos.2) wird entgegen der 3- und 4-pol Version nicht von der Steckseite, sondern von der Anschlußseite eingepreßt.

NOTES / Bemerkung:

1	CRIMP CONTACT Crimp Kontakt	WN-00003
2	CABLE LENGTH TOLERANCE Kabellängentoleranz	WN-00004
3	POTTING Verguss	ES-120000-019
4	PACKAGING FOR RECEPTACLE Verpackung für Gerätestecker	PK-120000-018
5	PIN-ASSIGNMENT Pin-Belegung	IEC 61076-2-104
6	WINDING SPECIFICATION Wickelvorschrift	ES-120000-020

SAP-NUMBER SAP-Nummer	OLD MATERIAL-NO. alte Artikel-Nr.	REPLACED Ersatz für
1200905072	4R3F46000	0908 036GM 05000
1200905077	4R4F46000	0908 046GM 05000
1200905080	4R5F46000	0908 056GM 05000

DESCRIPTION EC NO.: WEU2009-0457 6/29/09 DRWN: BBRAUCH CH'KD: --- APPR: JKOLB 2009/09/15	QUALITY SYMBOLS ▽ = 4 ▽C = 0	GENERAL TOLERANCES (UNLESS SPECIFIED)		DIMENSION STYLE MM		SCALE 2:1	DESIGN UNITS METRIC	FIRST ANGLE PROJECTION	
		mm	INCH	DRAWN BY BB	DATE 2009/06/26	M8 MALE RECEPTACLES- BACK-PIN M8 GERAETEST. BACK-PIN			
4 PLACES ±---	±---	CHECKED BY JKO	DATE 2009/08/05	MOLEX INCORPORATED					
3 PLACES ±---	±---	APPROVED BY FP	DATE 2009/08/05					MATERIAL NO. see table	
DRAFT WHERE APPLICABLE MUST REMAIN WITHIN DIMENSIONS		SIZE A3		THIS DRAWING CONTAINS INFORMATION THAT IS PROPRIETARY TO MOLEX INCORPORATED AND SHOULD NOT BE USED WITHOUT WRITTEN PERMISSION					