



Chipsmall Limited consists of a professional team with an average of over 10 year of expertise in the distribution of electronic components. Based in Hongkong, we have already established firm and mutual-benefit business relationships with customers from,Europe,America and south Asia,supplying obsolete and hard-to-find components to meet their specific needs.

With the principle of “Quality Parts,Customers Priority,Honest Operation,and Considerate Service”,our business mainly focus on the distribution of electronic components. Line cards we deal with include Microchip,ALPS,ROHM,Xilinx,Pulse,ON,Everlight and Freescale. Main products comprise IC,Modules,Potentiometer,IC Socket,Relay,Connector.Our parts cover such applications as commercial,industrial, and automotives areas.

We are looking forward to setting up business relationship with you and hope to provide you with the best service and solution. Let us make a better world for our industry!



Contact us

Tel: +86-755-8981 8866 Fax: +86-755-8427 6832

Email & Skype: info@chipsmall.com Web: www.chipsmall.com

Address: A1208, Overseas Decoration Building, #122 Zhenhua RD., Futian, Shenzhen, China



6

5

4

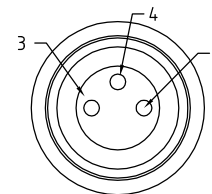
3

2

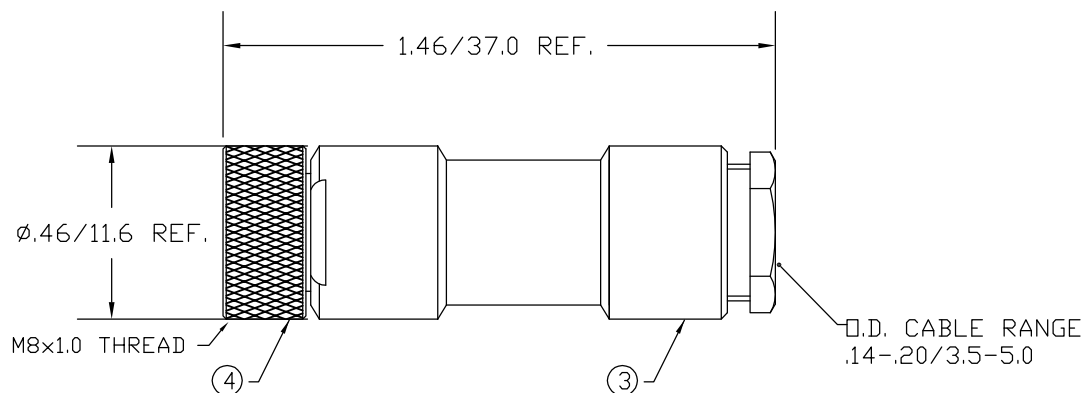
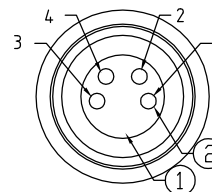
1

MATERIAL NUMBER	OLD PART NUMBER
120091-0001	N03FA03124
120091-0007	N04FA03124

3 POLE FEMALE FACE VIEW



4 POLE FEMALE FACE VIEW



VOLTAGE RATING	60 VAC/ 75 VDC
AMPERAGE RATING	4 AMPS
PROTECTION	IP67
OPERATING TEMPERATURE	0°C TO 80°C

ITEM	COMPONENT	MATERIAL	FINISH
1	INSERT	NYLON	BLACK
2	CONTACT PIN	COPPER ALLOY	GOLD OVER NICKEL
3	BODY	NYLON	BLACK
4	COUPLING NUT	BRASS	NICKEL PLATED

RLSD DRAWING
 EC NO: WNA2010-0139
 DRWN: BWOODMAN 8/26/09
 CHKD: JM
 APPR: JFMURPHY 2009/08/31
 REV A

QUALITY SYMBOLS
 ▽=0
 ∇=0

GENERAL TOLERANCES (UNLESS SPECIFIED)

	mm	INCH
4 PLACES	±.005	±.0005
3 PLACES	±.005	±.0005
2 PLACES	±.005	±.001
1 PLACE	±0.3	±.012

ANGULAR ±.01°
 DRAFT WHERE APPLICABLE
 MUST REMAIN
 WITHIN DIMENSIONS

DIMENSION STYLE IN/MM

DRAWN BY DATE
BW 2009/08/26
 CHECKED BY DATE
LH 2009/08/26
 APPROVED BY DATE
JFMURPHY 2009/08/28

SCALE

DESIGN UNITS

THIRD ANGLE PROJECTION

TITLE M8 FEMALE ATTACHABLE 3 AND 4 POLE

MOLEX INCORPORATED

SEE CHART

DOCUMENT NO. SD-120091-002

SHEET NO. 1 OF 1

THIS DRAWING CONTAINS INFORMATION THAT IS PROPRIETARY TO MOLEX INCORPORATED AND SHOULD NOT BE USED WITHOUT WRITTEN PERMISSION

6

5

4

3

2

1