



Chipsmall Limited consists of a professional team with an average of over 10 year of expertise in the distribution of electronic components. Based in Hongkong, we have already established firm and mutual-benefit business relationships with customers from,Europe,America and south Asia,supplying obsolete and hard-to-find components to meet their specific needs.

With the principle of "Quality Parts,Customers Priority,Honest Operation,and Considerate Service",our business mainly focus on the distribution of electronic components. Line cards we deal with include Microchip,ALPS,ROHM,Xilinx,Pulse,ON,Everlight and Freescale. Main products comprise IC,Modules,Potentiometer,IC Socket,Relay,Connector.Our parts cover such applications as commercial,industrial, and automotives areas.

We are looking forward to setting up business relationship with you and hope to provide you with the best service and solution. Let us make a better world for our industry!



Contact us

Tel: +86-755-8981 8866 Fax: +86-755-8427 6832

Email & Skype: info@chipsmall.com Web: www.chipsmall.com

Address: A1208, Overseas Decoration Building, #122 Zhenhua RD., Futian, Shenzhen, China



6

5

4

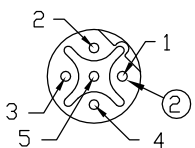
3

2

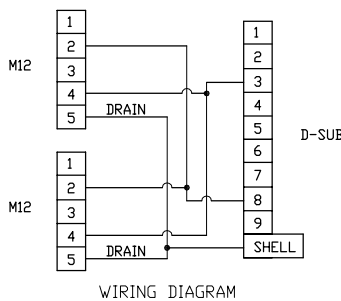
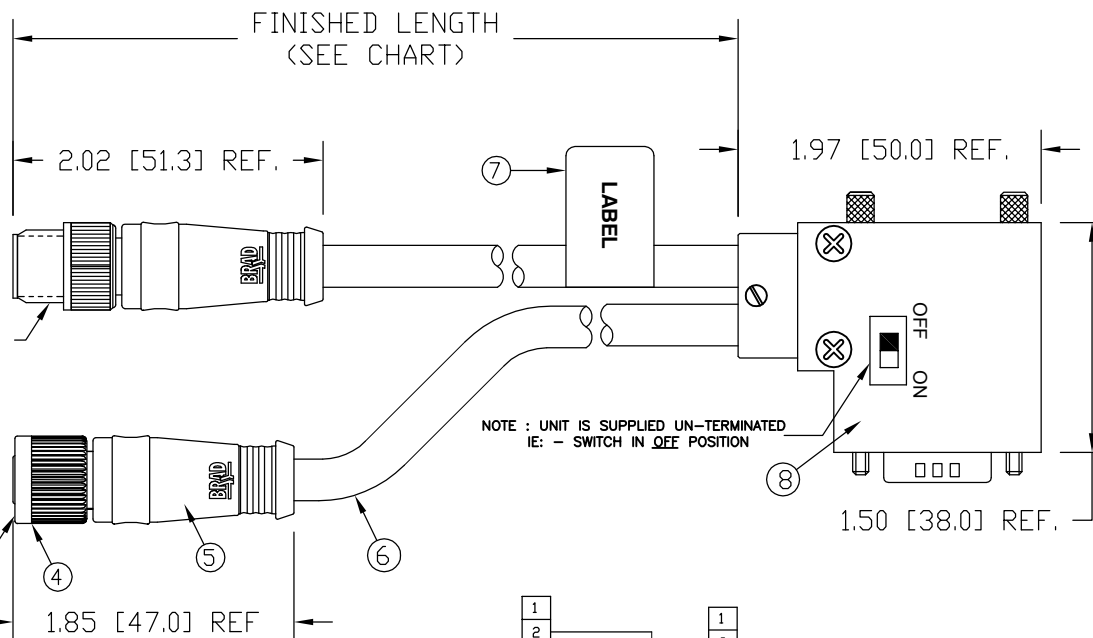
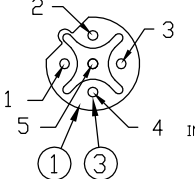
1

MATERIAL NUMBER	ENGINEERING NUMBER	FINISHED LENGTH
1200980051	BM5G72PP4M010	1.0M +55.6mm -0 [3.28' +2.19" -0]
1200980053	BM5G72PP4M050	5.0M +165.1mm -0 [16.40' +6.50" -0]

MICRO-CHANGE
MALE FACE VIEW



MICRO-CHANGE
FEMALE FACE VIEW



VOLTAGE RATING	250 VAC/VDC
AMPERAGE RATING	4 AMPS
PROTECTION FOR M12 CONNECTOR	IP67
PROTECTION FOR D-SUB	IP40
OPERATING TEMPERATURE - M12 HEAD	-20°C TO 80°C
OPERATING TEMPERATURE - D-SUB	0°C TO 60°C

ITEM	COMPONENT	MATERIAL	FINISH
1	M12 INSERT	NYLON	BLACK
2	CONTACT PIN	COPPER ALLOY	GOLD OVER NICKEL
3	CONTACT SOCKET	COPPER ALLOY	GOLD OVER NICKEL
4	COUPLING NUT	BRASS	NICKEL PLATED
5	OVERMOLD	PUR	YELLOW
6	CABLE- 22 AWG, COPPER STRANDING, TWISTED PAIR, SHIELD WITH BRAID	PUR	PURPLE
7	LABEL	MLYAR	BLACK/YELLOW
8	D-SUB	ABS	BLACK

RELEASED DRAWING	EC NO: WEL2010-0081	DRWN: LHARTMAN 8/27/09	CHKD: BWOODMAN 09/08/27	APPR: JFMURPHY 2009/08/28	DESCRIPTION
QUALITY SYMBOLS	▽=0	▽=0			
REV	A				

	GENERAL TOLERANCES (UNLESS SPECIFIED)	
	mm	INCH
4 PLACES	±----	±----
3 PLACES	±----	±----
2 PLACES	±---	±.01
1 PLACE	±0.3	±----
ANGULAR ±----		
DRAFT WHERE APPLICABLE MUST REMAIN WITHIN DIMENSIONS		

DIMENSION STYLE		SCALE	DESIGN UNITS	THIRD ANGLE PROJECTION
IN/MM		NTS	INCH	
DRAWN BY	DATE	TITLE		
LHARTMAN	2009/08/27	MICRO-CHANGE PROFIBUS 5P MA/FE REV KEY - D-SUB #22/2 SHLD PURPLE PUR		
CHECKED BY	DATE	MOLEX INCORPORATED		
BWOODMAN	2009/08/27	SD-120098-018		
APPROVED BY	DATE	SHEET NO.		
JFMURPHY	2009/08/27	1 OF 1		
MATERIAL NO.	SEE TABLE	DOCUMENT NO.		
SIZE	A	THIS DRAWING CONTAINS INFORMATION THAT IS PROPRIETARY TO MOLEX INCORPORATED AND SHOULD NOT BE USED WITHOUT WRITTEN PERMISSION		

6

5

4

3

2

1