



Chipsmall Limited consists of a professional team with an average of over 10 year of expertise in the distribution of electronic components. Based in Hongkong, we have already established firm and mutual-benefit business relationships with customers from,Europe,America and south Asia,supplying obsolete and hard-to-find components to meet their specific needs.

With the principle of “Quality Parts,Customers Priority,Honest Operation,and Considerate Service”,our business mainly focus on the distribution of electronic components. Line cards we deal with include Microchip,ALPS,ROHM,Xilinx,Pulse,ON,Everlight and Freescale. Main products comprise IC,Modules,Potentiometer,IC Socket,Relay,Connector.Our parts cover such applications as commercial,industrial, and automotives areas.

We are looking forward to setting up business relationship with you and hope to provide you with the best service and solution. Let us make a better world for our industry!



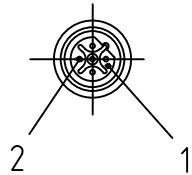
Contact us

Tel: +86-755-8981 8866 Fax: +86-755-8427 6832

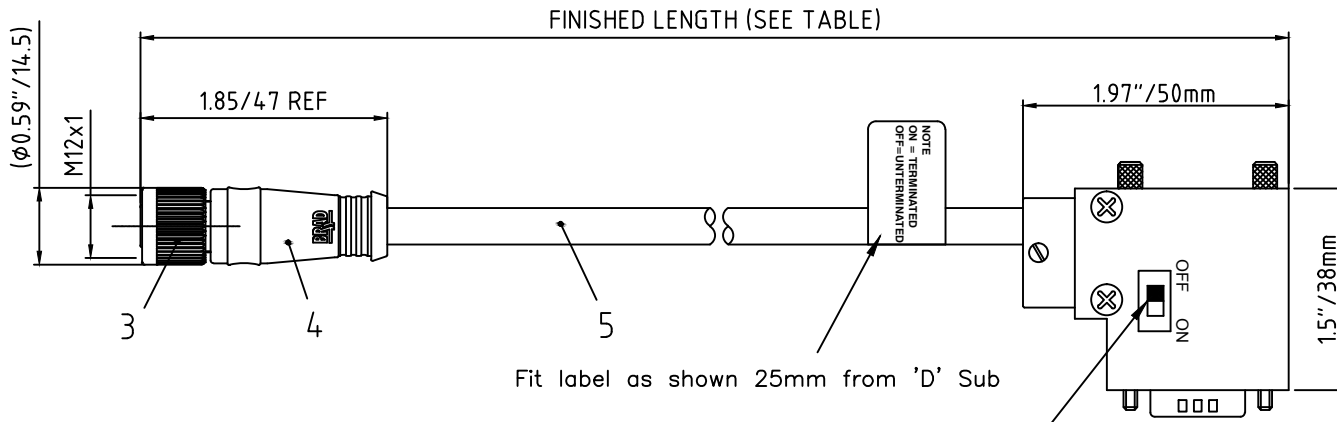
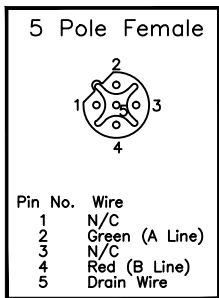
Email & Skype: info@chipsmall.com Web: www.chipsmall.com

Address: A1208, Overseas Decoration Building, #122 Zhenhua RD., Futian, Shenzhen, China



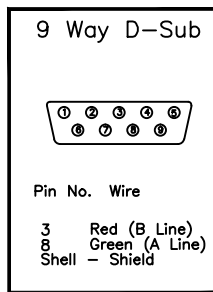


Face View (Typ.)



POL	MATERIAL NUMBER	ENGINEERING NUMBER	FINISHED LENGTH
5	1200980057	BM5S32PP4M010	3.28' +2.19" -0 [1.0M +55.6 -0]

Face View



CONNECTOR SPECIFICATION:

VOLTAGE RATING	30V AC/DC
AMPERAGE RATING	4 AMPS
PROTECTION CLASS	IP67
OPERATING TEMPERATURE	STATIC: -40°C TO +80°C FLEXING: -20°C TO +80°C
UL CERTIFICATIONS	NOT APPLICABLE
CSA CERTIFICATIONS	NOT APPLICABLE

ITEM	COMPONENT	MATERIAL	FINISH
1	INSERT	POLYURETHANE (PUR)	BLACK
2	CONTACT MATERIAL	COPPER ALLOY	GOLD OVER NICKEL
3	COUPLING NUT	BRASS	NICKEL PLATED
4	OVERMOLD	TPU	YELLOW
5	CABLE 2x0.2 ² /24 AWG	JACKET: PUR	JACKET: VIOLET

DESCRIPTION EC NO: IPG2012-0445 DRWN: BBRAUCH CHKD: REISSNER APPR: REISSNER 28.02.12 2010/01/28	QUALITY SYMBOLS ▽ = 0 ▽ = 0	GENERAL TOLERANCES (UNLESS SPECIFIED)	DIMENSION STYLE IN/MM	SCALE 2:1	DESIGN UNITS METRIC	THIRD ANGLE PROJECTION
		4 PLACES ± --- ± --- 3 PLACES ± --- ± --- 2 PLACES ± --- ± 0.1 1 PLACE ± 0.3 ± --- ANGULAR ± --- °	DRAWN BY BBRAUCH 2010/01/25	DATE 2010/01/25	CSE M12 5P BC FE STR DSUB PUR XM SHLD YL BRA M12 PROFIBUS CABLE	
REV 2	DESCRIPTION	DRAFT WHERE APPLICABLE MUST REMAIN WITHIN DIMENSIONS	SEE TABLE	MOLEX INCORPORATED		
		SIZE A3	THIS DRAWING CONTAINS INFORMATION THAT IS PROPRIETARY TO MOLEX INCORPORATED AND SHOULD NOT BE USED WITHOUT WRITTEN PERMISSION	DOCUMENT NO. SD-120098-033	SHEET NO. 1 OF 1	