



Chipsmall Limited consists of a professional team with an average of over 10 year of expertise in the distribution of electronic components. Based in Hongkong, we have already established firm and mutual-benefit business relationships with customers from,Europe,America and south Asia,supplying obsolete and hard-to-find components to meet their specific needs.

With the principle of “Quality Parts,Customers Priority,Honest Operation,and Considerate Service”,our business mainly focus on the distribution of electronic components. Line cards we deal with include Microchip,ALPS,ROHM,Xilinx,Pulse,ON,Everlight and Freescale. Main products comprise IC,Modules,Potentiometer,IC Socket,Relay,Connector.Our parts cover such applications as commercial,industrial, and automotives areas.

We are looking forward to setting up business relationship with you and hope to provide you with the best service and solution. Let us make a better world for our industry!



## Contact us

Tel: +86-755-8981 8866 Fax: +86-755-8427 6832

Email & Skype: info@chipsmall.com Web: www.chipsmall.com

Address: A1208, Overseas Decoration Building, #122 Zhenhua RD., Futian, Shenzhen, China



6

5

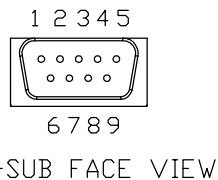
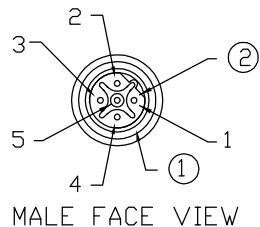
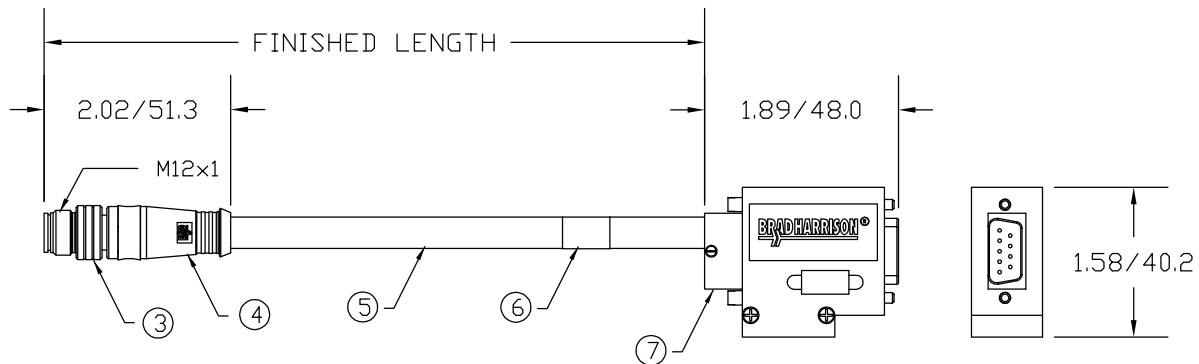
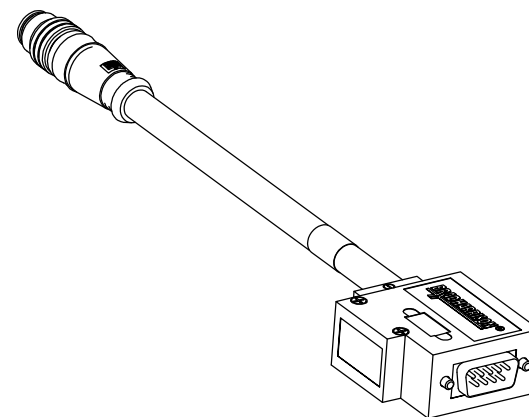
4

3

2

1

MATERIAL NUMBER	OLD PART NUMBER	FINISHED LENGTH
120098-0062	BM5S60PP4M0103	3.28' +2.19" -0 [1.0M +55.6 -0]
120098-0063	BM5S60PP4M0203	6.56' +3.50" -0 [2.0M +88.9 -0]
120098-0064	BM5S60PP4M0303	16.40' +6.50" -0 [5.0M +165.1 -0]



1	NOT CONNECTED	
2	GREEN (LINE A)	8
3	NOT CONNECTED	
4	RED (LINE B)	3
5	DRAIN WIRE	

WIRING DIAGRAM

PINS 1, 2, 4, 5, 7, & 9 ARE NOT CONNECTED ON D-SUB

VOLTAGE RATING	250 VAC/VDC
AMPERAGE RATING	4 AMPS
PROTECTION FOR M12 CONNECTOR	IP67
PROTECTION FOR D-SUB	IP40
OPERATING TEMPERATURE	-20°C TO 80°C

ITEM	COMPONENT	MATERIAL	FINISH
1	INSERT	NYLON	BLACK
2	CONTACT PIN	COPPER ALLOY	GOLD OVER NICKEL
3	COUPLING NUT	BRASS	NICKEL PLATED
4	OVERMOLD	PUR	YELLOW
5	CABLE- 24 AWG, (.22mm) COPPER STRANDING TWISTED PAIR SHIELD WITH BRAID	PUR	PURPLE
6	LABEL	MLYAR	BLACK/YELLOW
7	D-SUB	ABS	BLACK

RLSD DRAWING  
 EC NO: WNA2009-0645 3/31/09  
 DRWN: BWOODMAN  
 CHKD: JM  
 APPR: JFMURPHY 2009/04/08

QUALITY SYMBOLS  
 ▽=0  
 ▽/C=0

GENERAL TOLERANCES (UNLESS SPECIFIED)

	mm	INCH
4 PLACES	±---	±---
3 PLACES	±---	±---
2 PLACES	±---	±.01
1 PLACE	±0.3	±---

ANGULAR ±---°  
 DRAFT WHERE APPLICABLE MUST REMAIN WITHIN DIMENSIONS

DIMENSION STYLE

IN/MM	
DRAWN BY	DATE
BW	2009/03/31
CHECKED BY	DATE
LH	2009/03/31
APPROVED BY	DATE
---	---

SCALE

---

DESIGN UNITS

---

THIRD ANGLE PROJECTION

TITLE  
 MICRO-CHANGE CORDSET  
 5P MALE PROFIBUS TO DSUB  
 PUR CABLE

molex MOLEX INCORPORATED

MATERIAL NO. SEE CHART DOCUMENT NO. SD-120098-001 SHEET NO. 1 OF 1

THIS DRAWING CONTAINS INFORMATION THAT IS PROPRIETARY TO MOLEX INCORPORATED AND SHOULD NOT BE USED WITHOUT WRITTEN PERMISSION

6

5

4

3

2

1

E

E

D

D

C

C

B

B

A

A