



Chipsmall Limited consists of a professional team with an average of over 10 year of expertise in the distribution of electronic components. Based in Hongkong, we have already established firm and mutual-benefit business relationships with customers from,Europe,America and south Asia,supplying obsolete and hard-to-find components to meet their specific needs.

With the principle of “Quality Parts,Customers Priority,Honest Operation,and Considerate Service”,our business mainly focus on the distribution of electronic components. Line cards we deal with include Microchip,ALPS,ROHM,Xilinx,Pulse,ON,Everlight and Freescale. Main products comprise IC,Modules,Potentiometer,IC Socket,Relay,Connector.Our parts cover such applications as commercial,industrial, and automotives areas.

We are looking forward to setting up business relationship with you and hope to provide you with the best service and solution. Let us make a better world for our industry!



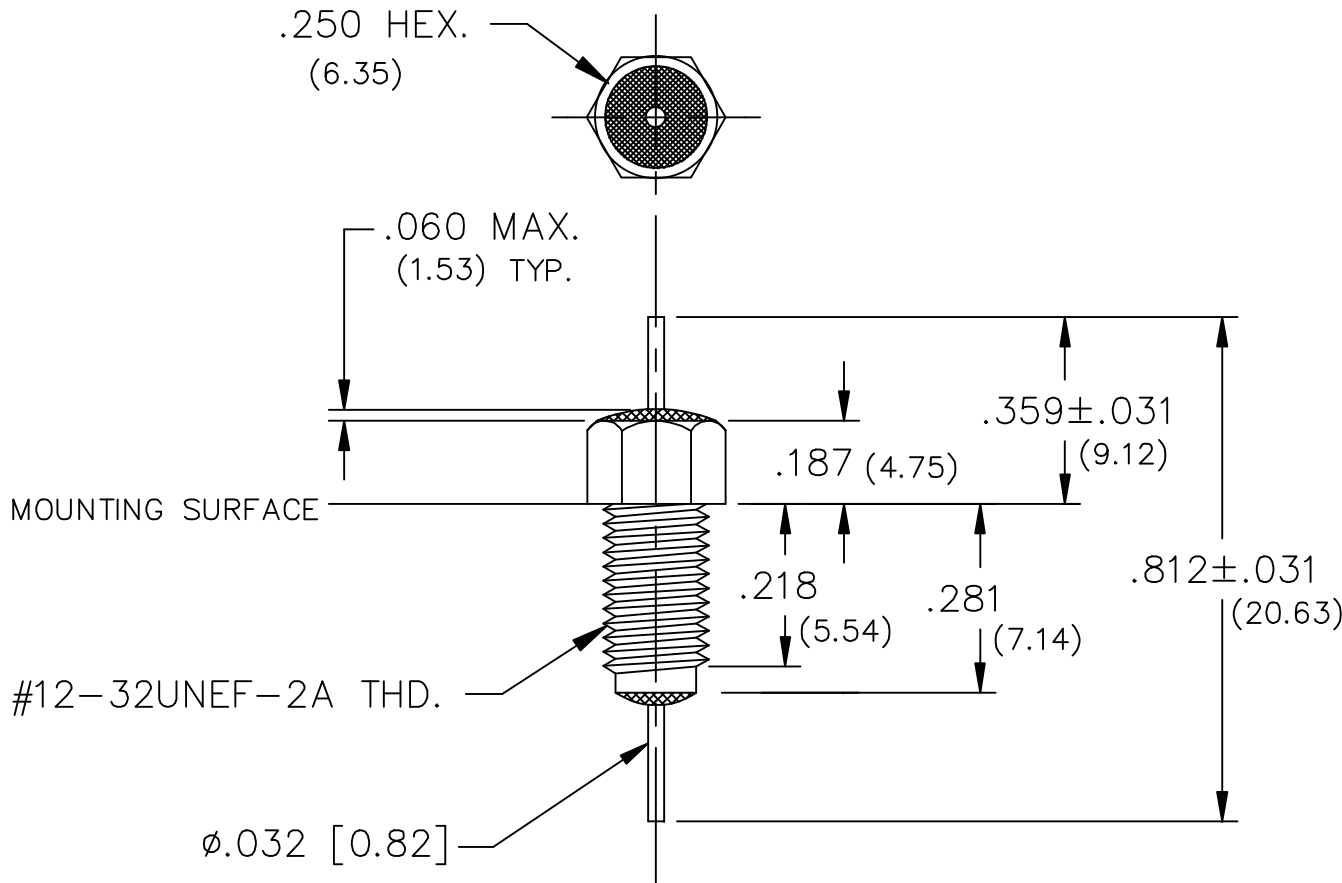
Contact us

Tel: +86-755-8981 8866 Fax: +86-755-8427 6832

Email & Skype: info@chipsmall.com Web: www.chipsmall.com

Address: A1208, Overseas Decoration Building, #122 Zhenhua RD., Futian, Shenzhen, China

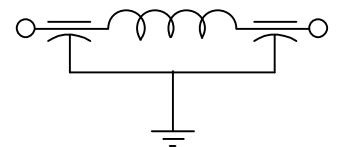




SUGGESTED MTG. HOLE .228 DIA.

LEAD FINISH: SILVER	
BUSHING FINISH: SILVER	
CAPACITANCE	3000 pF MIN.
TEMP. RANGE	-55°C TO 125°C
CURRENT	10 AMP MAX.
WORKING VOLTAGE	85°C --- VDC MAX. 125°C 200 VDC MAX.
D.C. RESISTANCE	.01ohms MAX.
MIN. I.L. PER MIL-STD-220 AT 25°C NO LOAD	
FREQ. MHz	I.L. (db)
1	---
50	32
100	45
1 GHz	70
10 GHz	--

SCHEMATIC



MARKING:

PART:

S1201054

BAG: SCI

1201-054

DATE CODE

QTY./BAG

(50 / BAG MAX.)



	6	5	4	3	REV. NO.	TOLERANCES UNLESS OTHERWISE SPECIFIED	 SPECTRUM CONTROL INC.	ERIE, FAIRVIEW PENNSYLVANIA	
	CN 37798-ENG	CN 202986 REDRAWN	CN 199855	CN 185003 REDRAWN	CHANGE NOTICE	Fractions ± 1/64		Dwn. KRDZALIC	Description
						Dec. .xx±		Ckd. 10-15-07	FILTER, SING, Pi, BSHG
						Dec. .xxx± .010			
						Angles ±0° 30'			
						CODE IDENT. NO. DLSP2	Scale NONE	1201-054	

