



Chipsmall Limited consists of a professional team with an average of over 10 year of expertise in the distribution of electronic components. Based in Hongkong, we have already established firm and mutual-benefit business relationships with customers from,Europe,America and south Asia,supplying obsolete and hard-to-find components to meet their specific needs.

With the principle of “Quality Parts,Customers Priority,Honest Operation,and Considerate Service”,our business mainly focus on the distribution of electronic components. Line cards we deal with include Microchip,ALPS,ROHM,Xilinx,Pulse,ON,Everlight and Freescale. Main products comprise IC,Modules,Potentiometer,IC Socket,Relay,Connector.Our parts cover such applications as commercial,industrial, and automotives areas.

We are looking forward to setting up business relationship with you and hope to provide you with the best service and solution. Let us make a better world for our industry!



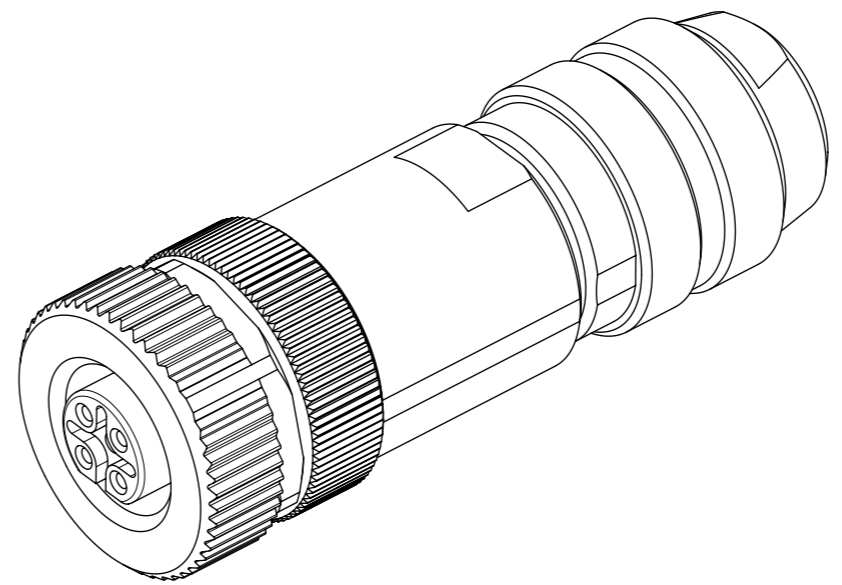
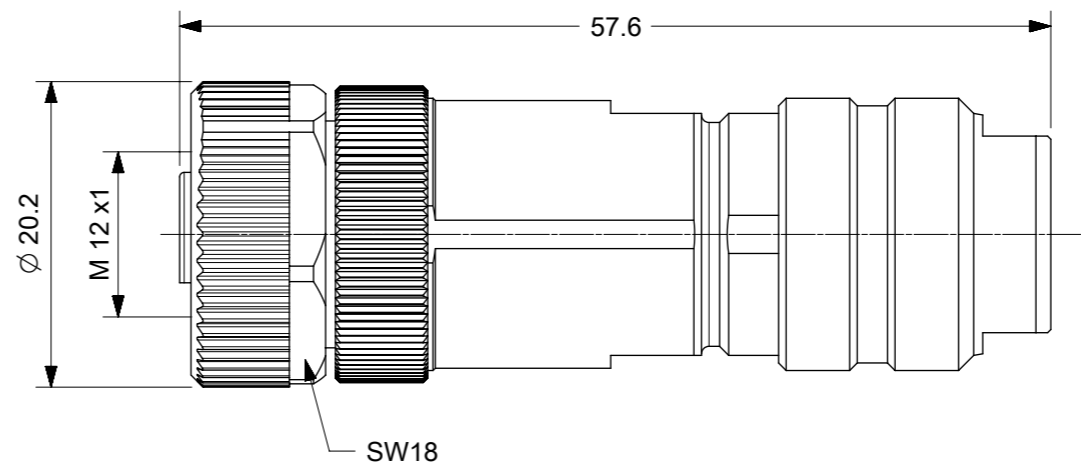
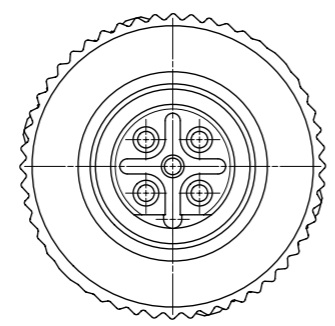
Contact us

Tel: +86-755-8981 8866 Fax: +86-755-8427 6832

Email & Skype: info@chipsmall.com Web: www.chipsmall.com

Address: A1208, Overseas Decoration Building, #122 Zhenhua RD., Futian, Shenzhen, China





PRE-RELEASE
REFERENCE
USE ONLY

NOTES:

- 1. LOCKING SYSTEM: SCREW
WIRE GAUGE: 0.75mm²
CABLE OUTLET: 6,5 - 8,5mm
- 2. ELECTRICAL DATA:
CURRENT RATING: 4A
VOLTAGE RATING: 60V
- 3. MECHANICAL:
OPERATING TEMP.: -40°C to +85°C
PROTECTION CLASS: IP67
- 4. MATERIAL:
CONTACT: CuZn (BRASS)
CONTACT PLATING: Au (GOLD)
HOUSING: zinc die cast
COUPLING NUT: CuZn (BRASS)

ENG.-NO: BA5S00-32

THIS DRAWING CONTAINS INFORMATION THAT IS PROPRIETARY TO MOLEX ELECTRONIC TECHNOLOGIES, LLC AND SHOULD NOT BE USED WITHOUT WRITTEN PERMISSION											
QUALITY SYMBOLS		2016/08/10		GENERAL TOLERANCES (UNLESS SPECIFIED)		DIMENSION UNITS		SCALE			
▽A = 0		EC NO: 107393 DRWN: LRAMAMURTHY CHK'D: APPR:		ANGULAR TOL ± 1.0 °		MM		2:1			
▽E = 0				4 PLACES ±		DRWN BY		DATE			
▽F = 0				3 PLACES ±		KGRUEDL		2015/11/25			
▽B = 0				2 PLACES ± 0.05		CHK'D BY		DATE			
▽C = 0		1 PLACE ± 0.3		APPR BY		DATE		PRODUCT CUSTOMER DRAWING			
▽D = 0		0 PLACES ± 0.5		DRAFT WHERE APPLICABLE MUST REMAIN WITHIN DIMENSIONS		DRAWING SIZE		THIRD ANGLE PROJECTION		SERIES	
▽G = 0		A3		REV		A3				120100	
										MATERIAL NUMBER	
										1201000001	
										CUSTOMER	
										GENERAL MARKET	
										DOCUMENT NUMBER	
										1201000001	
										DOC TYPE	
										PSD	
										DOC PART	
										000	
										SHEET NUMBER	
										1 OF 1	