



Chipsmall Limited consists of a professional team with an average of over 10 year of expertise in the distribution of electronic components. Based in Hongkong, we have already established firm and mutual-benefit business relationships with customers from,Europe,America and south Asia,supplying obsolete and hard-to-find components to meet their specific needs.

With the principle of "Quality Parts,Customers Priority,Honest Operation,and Considerate Service",our business mainly focus on the distribution of electronic components. Line cards we deal with include Microchip,ALPS,ROHM,Xilinx,Pulse,ON,Everlight and Freescale. Main products comprise IC,Modules,Potentiometer,IC Socket,Relay,Connector.Our parts cover such applications as commercial,industrial, and automotives areas.

We are looking forward to setting up business relationship with you and hope to provide you with the best service and solution. Let us make a better world for our industry!



Contact us

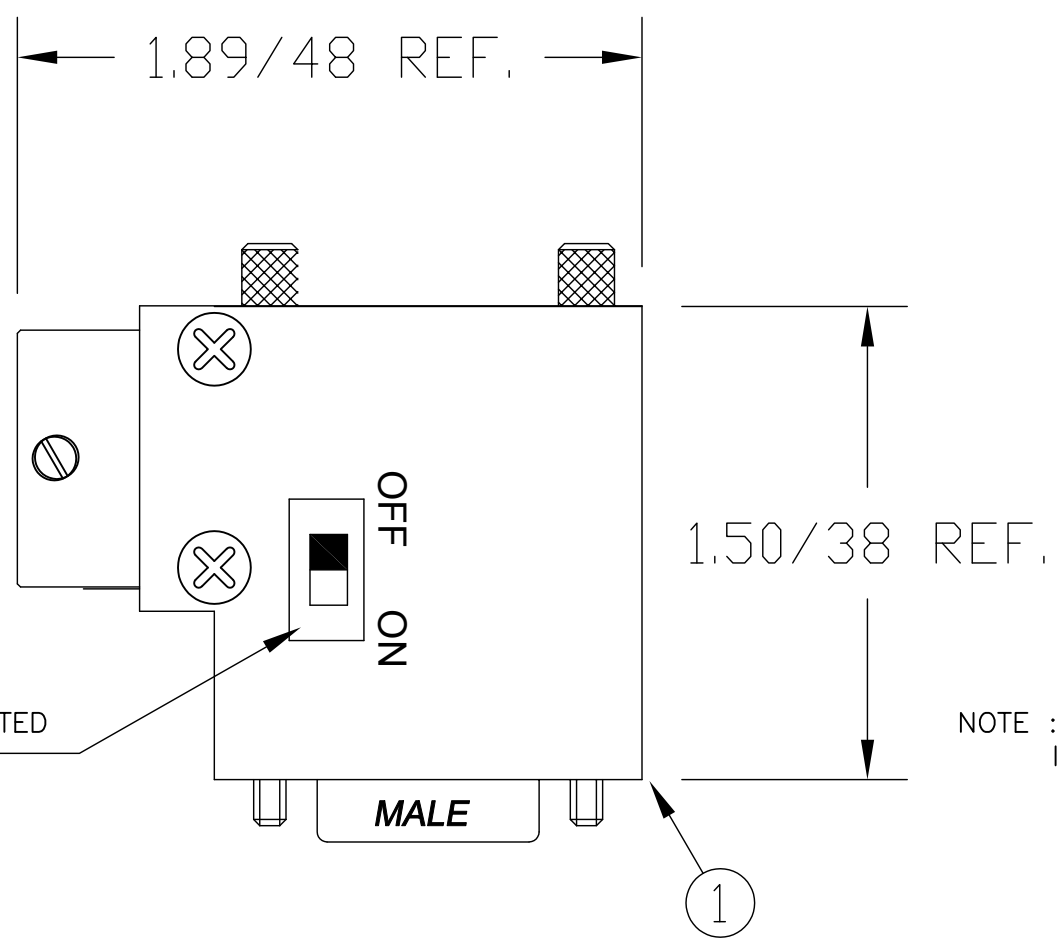
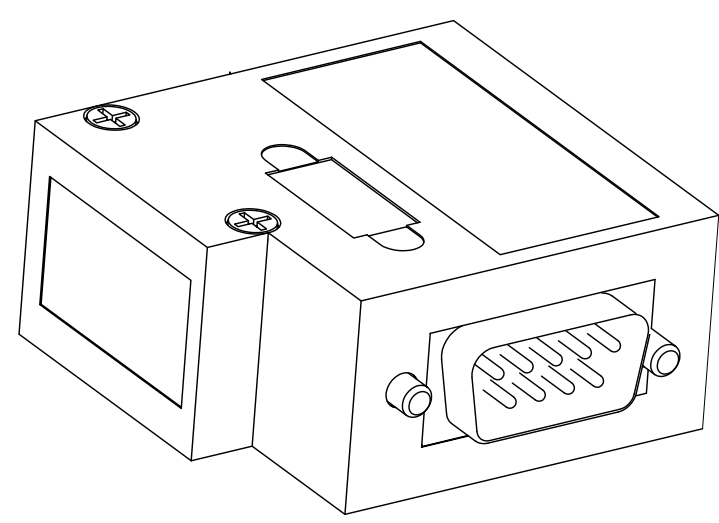
Tel: +86-755-8981 8866 Fax: +86-755-8427 6832

Email & Skype: info@chipsmall.com Web: www.chipsmall.com

Address: A1208, Overseas Decoration Building, #122 Zhenhua RD., Futian, Shenzhen, China

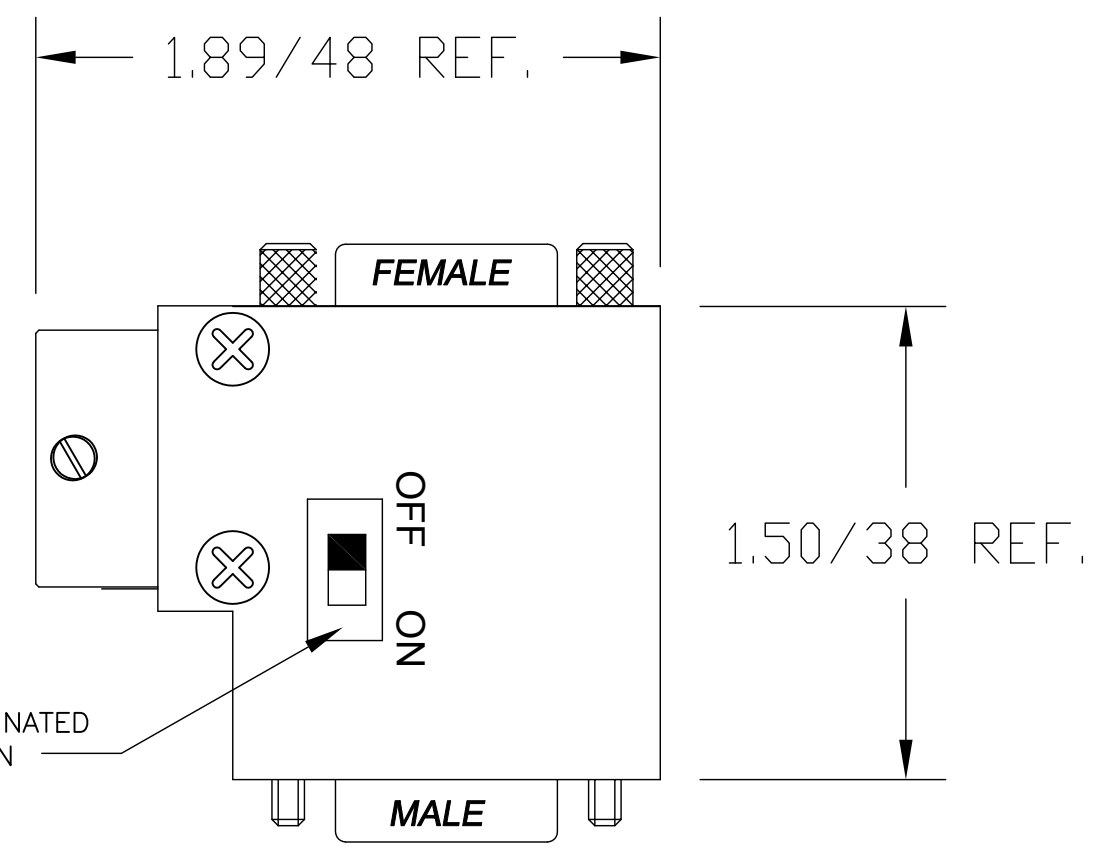


MATERIAL NUMBER	ENGINEERING NUMBER	PROGRAMMING PORT
120100-0003	MA9DP0-32	YES
120100-0004	MA9D00-32	NO



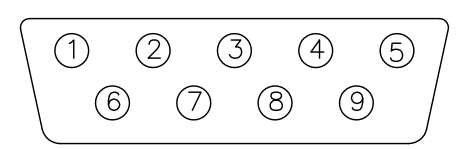
NOTE : UNIT IS SUPPLIED UN-TERMINATED
IE: - SWITCH IN OFF POSITION

DSUB WITHOUT PROGRAMMING PORT

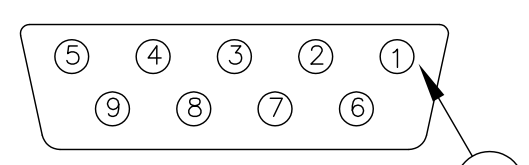


NOTE : UNIT IS SUPPLIED UN-TERMINATED
IE: - SWITCH IN OFF POSITION

DSUB WITH PROGRAMMING PORT



9 WAY D-SUB MALE FACE VIEW



9 WAY D-SUB FEMALE FACE VIEW

VOLTAGE RATING	250 VAC/VDC
AMPERAGE RATING	4 AMPS
PROTECTION FOR D-SUB	IP40
OPERATING TEMPERATURE - D-SUB	0°C TO 60°C

ITEM	COMPONENT	MATERIAL	FINISH
1	DSUB	ABS	BLACK
2	CONTACT	COPPER ALLOY	GOLD OVER NICKEL

RLSD DRAWING
EC NO: WEU2010-0312
DRWN: BWOODMAN2010/01/28
CHK'D: KJ
APPR: JFMURPHY 2010/01/29

QUALITY SYMBOL
▽=0
C=0

GENERAL TOLERANCES (UNLESS SPECIFIED)

	mm	INCH
4 PLACES	±---	±---
3 PLACES	±---	±.005
2 PLACES	±0.13	±.010
1 PLACE	±0.25	±.020

ANGULAR ±1/2°

DRAFT WHERE APPLICABLE MUST REMAIN WITHIN DIMENSIONS

DIMENSION STYLE
IN/MM

DRAWN BY DATE

CHECKED BY DATE
KJ 2010/01/29

APPROVED BY DATE
JFMURPHY 2010/01/29

MATERIAL NO.
SEE CHART

SIZE
C

SCALE 1:1

DESIGN UNITS INCH

THIRD ANGLE PROJECTION

DSUB 9-PIN
W/WO PROGRAMMING PORT

MOLEX INCORPORATED

DOCUMENT NO. SD-120100-003

SHEET NO. 1 OF 1

THIS DRAWING CONTAINS INFORMATION THAT IS PROPRIETARY TO MOLEX INCORPORATED AND SHOULD NOT BE USED WITHOUT WRITTEN PERMISSION