



Chipsmall Limited consists of a professional team with an average of over 10 year of expertise in the distribution of electronic components. Based in Hongkong, we have already established firm and mutual-benefit business relationships with customers from,Europe,America and south Asia,supplying obsolete and hard-to-find components to meet their specific needs.

With the principle of “Quality Parts,Customers Priority,Honest Operation,and Considerate Service”,our business mainly focus on the distribution of electronic components. Line cards we deal with include Microchip,ALPS,ROHM,Xilinx,Pulse,ON,Everlight and Freescale. Main products comprise IC,Modules,Potentiometer,IC Socket,Relay,Connector.Our parts cover such applications as commercial,industrial, and automotives areas.

We are looking forward to setting up business relationship with you and hope to provide you with the best service and solution. Let us make a better world for our industry!



Contact us

Tel: +86-755-8981 8866 Fax: +86-755-8427 6832

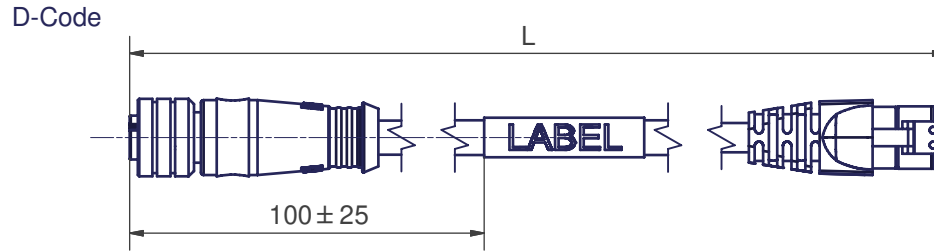
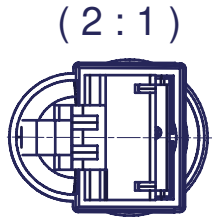
Email & Skype: info@chipsmall.com Web: www.chipsmall.com

Address: A1208, Overseas Decoration Building, #122 Zhenhua RD., Futian, Shenzhen, China

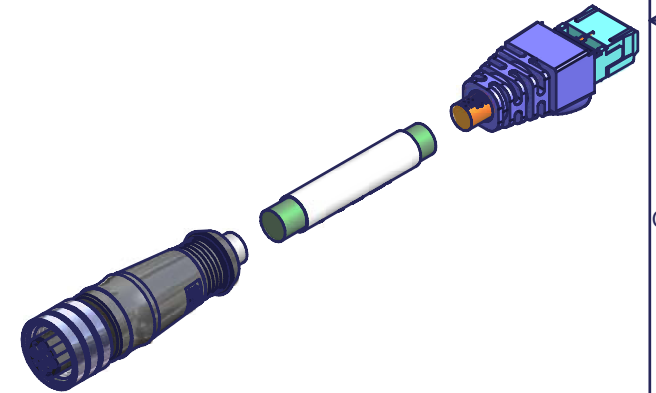
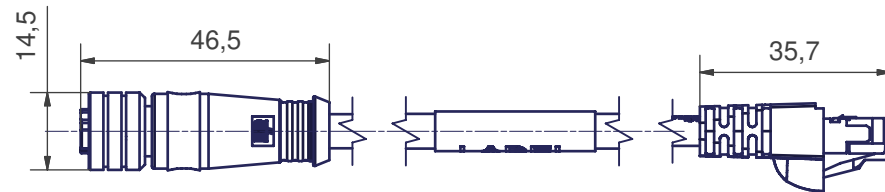
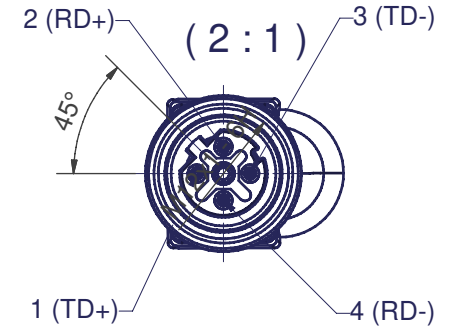


Material.No.	Part No.	L
1201088008	E16A03002M005	500
1201080010	E16A03002M010	1000

For further cable length see generic drawing



RJ45



Electrical Data:
 According to CAT5e Ethernet Standard.
 M12 D-Code to RJ45
 Poles: 4
 Max. Voltage: 125V
 Max. Current: 1,5A
 Resistance: < 5m Ohm
 Insulation withstand: >100M Ohm
 Protection: IP67
 Temperature range: -25°C to 75°C



**Customer Drawing
 Kundenzzeichnung**

EC NO.: WEU2010-0341	DRWN: NS	CHKD: FP	APPR: FP	DESCRIPTION	QUALITY SYMBOLS		GENERAL TOLERANCES (UNLESS SPECIFIED)		DIMENSION STYLE		SCALE	DESIGN UNITS	FIRST ANGLE PROJECTION
					mm	INCH	mm ONLY	INCH	1:1	METRIC	☐		
4	REV	08.02.2010	16.02.2010	M12	=	4 PLACES	±---	±----	DRAWN BY	DATE	M12-4P(D)-FE-ST/RJ45-M-0.5M Ethernet Cordset unshielded	MOLEX INCORPORATED	SHEET NO. 1 OF 4
						3 PLACES	±---	±----	FP	28.10.2005			
						2 PLACES	±0,05	±---	US	05.03.2007			
						1 PLACE	±0,10	±---	NS	12.01.2006			
					ANGULAR	± 1/2 °	DRAFT WHERE APPLICABLE MUST REMAIN WITHIN DIMENSIONS		MATERIAL NO.	DOCUMENT NO. E16A03002MXXX			
					SIZE		THIS DRAWING CONTAINS INFORMATION THAT IS PROPRIETARY TO MOLEX INCORPORATED AND SHOULD NOT BE USED WITHOUT WRITTEN PERMISSION						
					A3								