



Chipsmall Limited consists of a professional team with an average of over 10 year of expertise in the distribution of electronic components. Based in Hongkong, we have already established firm and mutual-benefit business relationships with customers from,Europe,America and south Asia,supplying obsolete and hard-to-find components to meet their specific needs.

With the principle of "Quality Parts,Customers Priority,Honest Operation,and Considerate Service",our business mainly focus on the distribution of electronic components. Line cards we deal with include Microchip,ALPS,ROHM,Xilinx,Pulse,ON,Everlight and Freescale. Main products comprise IC,Modules,Potentiometer,IC Socket,Relay,Connector.Our parts cover such applications as commercial,industrial, and automotives areas.

We are looking forward to setting up business relationship with you and hope to provide you with the best service and solution. Let us make a better world for our industry!



## Contact us

Tel: +86-755-8981 8866 Fax: +86-755-8427 6832

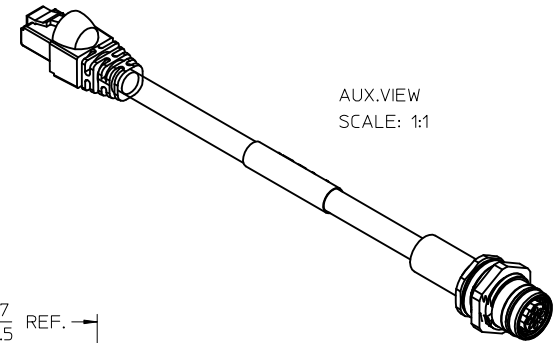
Email & Skype: info@chipsmall.com Web: www.chipsmall.com

Address: A1208, Overseas Decoration Building, #122 Zhenhua RD., Futian, Shenzhen, China

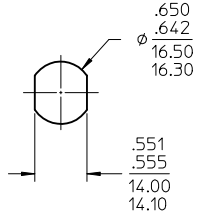
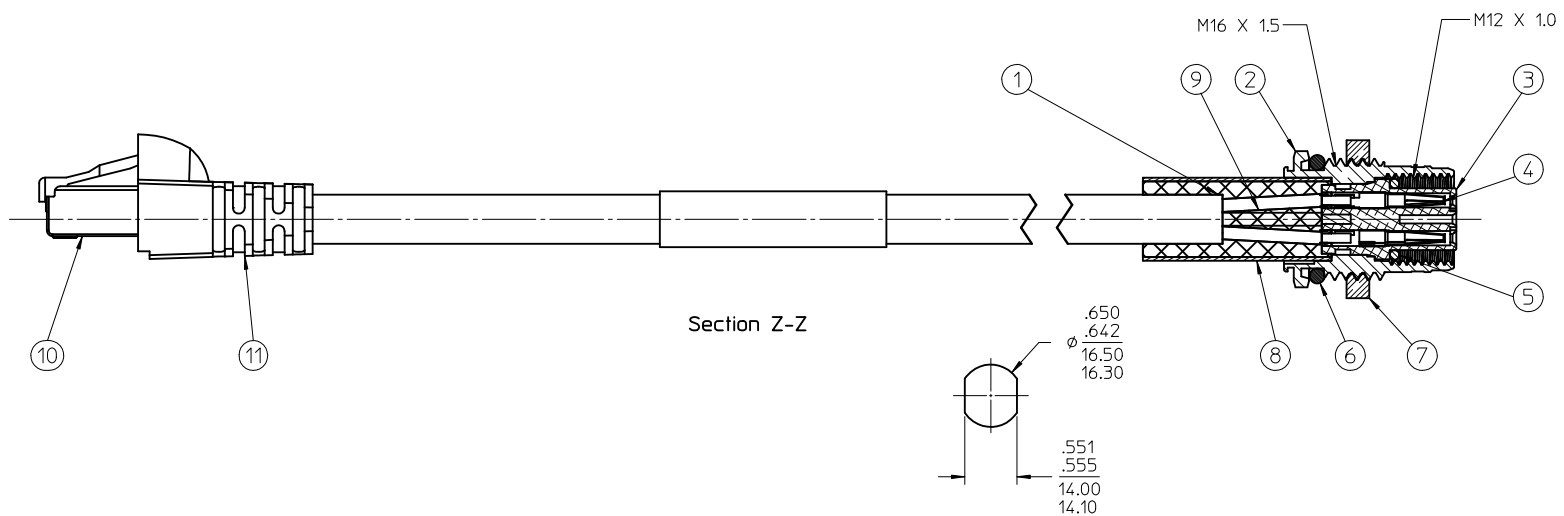
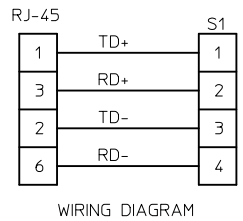
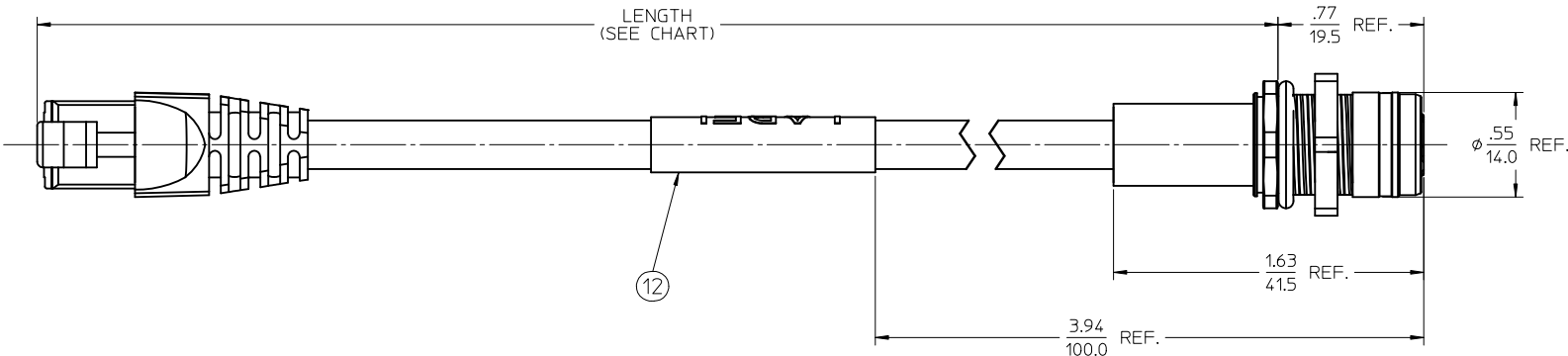


MATERIAL NO.	ENGINEERING NO.	LENGTH
1201090005	ERWPAU7003M006	23.62 +1.75-0 (.6M +44.5mm-0)

- NOTES:  
 1. MATERIAL: SEE TABLE  
 2. FINISHES: SEE TABLE  
 3. MATES WITH: ULTRA-LOCK MALE CABLE ASSEMBLY  
 4. ELECTRICAL SPECIFICATIONS:  
     VOLTAGE RATING: 125V  
     CURRENT RATING: 1.5 AMPS  
 5. ASSEMBLY IS RIHAS COMPLIANT



AUX.VIEW  
SCALE: 1:1



ITEM	QTY.	DESCRIPTION	MATERIAL	FINISH
12	1	WRAP LABEL	PLASTIC FILM	
11	1	RJ-45 SLEEVE	POLYOLEFIN	BLACK
10	1	RJ-45 PLUG	POLYCARB SHELL	
9	1	POTTING MATERIAL	EPOXY	
8	1	SLEEVE	BRASS	NICKEL PLATED
7	1	PANEL NUT, M16 X 15	Cu ALLOY	NICKEL PLATED
6	1	O-RING (PANEL SEAL)	BUNA-N	BLACK
5	1	O-RING (MATING INTERFACE)	VITON	RED
4	4	CONTACT SOCKET	Cu ALLOY	GOLD PLATED
3	1	INSERT	NYLON	BLACK
2	1	RECEPTACLE SHELL	BRASS	NICKEL PLATED
1	1	CABLE	PVC JACKET	

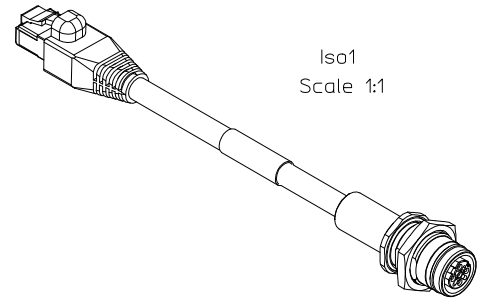
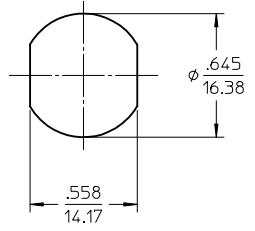
<b>REV'D KNOCKOUT DIMS &amp; NOTE 3</b> EC NO: WNA2010-0509 DRWNR:STONE 2010/02/17 CHKD:J.WOODMAN 2010/04/21 APPR:J.MURPHY 2010/04/21	QUALITY SYMBOLS ▽=0 ▽=0	GENERAL TOLERANCES (UNLESS SPECIFIED) <table border="1"> <tr> <th></th> <th>mm</th> <th>INCH</th> </tr> <tr> <td>4 PLACES</td> <td>± .005</td> <td>± .0005</td> </tr> <tr> <td>3 PLACES</td> <td>± .005</td> <td>± .0005</td> </tr> <tr> <td>2 PLACES</td> <td>± .01</td> <td>± .001</td> </tr> <tr> <td>1 PLACE</td> <td>± .03</td> <td>± .001</td> </tr> </table>		mm	INCH	4 PLACES	± .005	± .0005	3 PLACES	± .005	± .0005	2 PLACES	± .01	± .001	1 PLACE	± .03	± .001	DIMENSION STYLE <b>IN/MM</b>	SCALE <b>2:1</b>	DESIGN UNITS <b>INCH</b>	THIRD ANGLE PROJECTION
		mm	INCH																		
	4 PLACES	± .005	± .0005																		
	3 PLACES	± .005	± .0005																		
2 PLACES	± .01	± .001																			
1 PLACE	± .03	± .001																			
DRAWN BY R.STONE	DATE 2009/05/14	TITLE <b>ULTRA-LOCK CORD ASSEMBLY          FEMALE D-CODE TO          RJ-45 MALE PLUG</b>																			
CHECKED BY B.WOODMAN	DATE 2009/05/15	<b>MOLEX INCORPORATED</b>																			
APPROVED BY J.MURPHY	DATE 2009/05/19	MATERIAL NO. <b>SEE CHART</b>	DOCUMENT NO. <b>SD-120109-003</b>	SHEET NO. <b>1 OF 1</b>																	

DRAFT WHERE APPLICABLE MUST REMAIN WITHIN DIMENSIONS

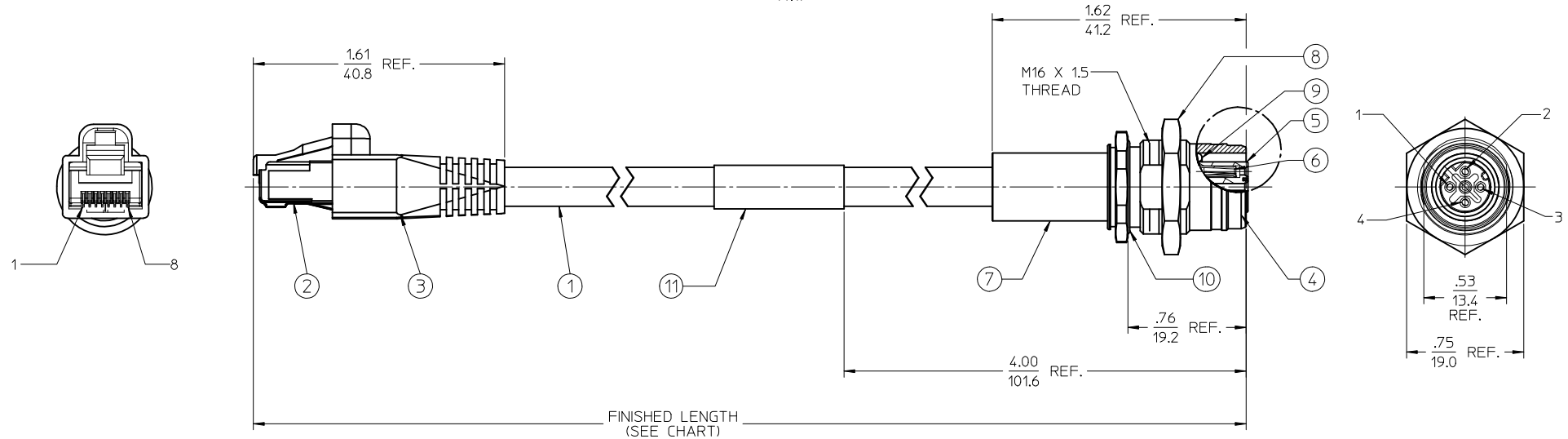
THIS DRAWING CONTAINS INFORMATION THAT IS PROPRIETARY TO MOLEX INCORPORATED AND SHOULD NOT BE USED WITHOUT WRITTEN PERMISSION

MATERIAL NO.	ENGINEERING NO.	FINISHED LENGTH
1300545003	ERWPAU7003M010	3' 3" +2.19/-0 (1M +55.6mm-0)
1201090003	ERWPAU7003M020	6' 7" +3.50/-0 (2M +88.9mm-0)

PANEL CUTOUT

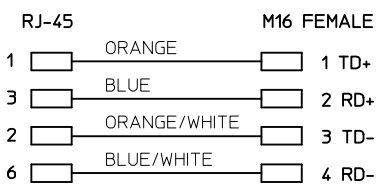


Iso1  
Scale 1:1



NOTES:

1. MATERIAL: SEE TABLE
2. FINISHES: SEE TABLE
3. ELECTRICAL SPECIFICATIONS  
VOLTAGE RATING: 150V AC/DC  
CURRENT RATING: 1.5 AMPS
4. PROTECTION: IP67
5. ASSEMBLY IS RoHS COMPLIANT BY EXEMPTION



WIRE DIAGRAM

ITEM	QTY.	DESCRIPTION	MATERIAL	FINISH
11	1	WRAP LABEL	VINYL	BLACK/YELLOW
10	1	PANEL MOUNT O-RING	NITRIL	BLACK
9	1	MATING O-RING	VITON	RED
8	1	PANEL NUT	BRASS	NICKEL PLATED
7	1	CABLE SLEEVE	BRASS	NICKEL PLATED
6	4	CONTACT SOCKET	Cu ALLOY	GOLD PLATED
5	1	INSERT, FEMALE, 4P	PUR	BLACK
4	1	RECEPTACLE SHELL	BRASS	NICKEL PLATED
3	1	RJ-45 BOOT	POLYOLEFIN	BLACK
2	1	RJ-45 PLUG	POLYCARB/Cu ALLOY	CLEAR/GOLD PLATED
1	A/R	RJ-45 CABLE, 24/4 CAT 5E ETHERNET	PVC JACKET	TEAL

<b>NEW SALES DOC</b> EC NO: IPG2013-1402 DRAWN BY: DRWINRSTONE 2013/03/12 CHKD:K JOZWIK 2013/03/15 APPR:J MURPHY 2013/04/25	QUALITY SYMBOLS	GENERAL TOLERANCES (UNLESS SPECIFIED)	DIMENSION STYLE	SCALE	DESIGN UNITS	THIRD ANGLE PROJECTION
	▽=0	mm      INCH	IN/MM	2:1	INCH	
	▽=0	4 PLACES ± --- ± ---	DRAWN BY: RSTONE DATE: 2013/03/12	TITLE	<b>MIC ETHERNET CORDSET          M16 FEMALE U-LOCK RECEPT          TO RJ-45 PLUG. 24 AWG</b>	
		3 PLACES ± --- ± ---	CHECKED BY: K JOZWIK DATE: 2013/03/15			
		2 PLACES ± --- ± .01	APPROVED BY: JFMURPHY DATE: 2013/04/25			
	1 PLACE ± 0.3 ± ---	MATERIAL NO.      DOCUMENT NO.		SHEET NO.		
	0 PLACE ± --- ± ---	SEE CHART      SD-120109-013		1 OF 1		
DRAFT WHERE APPLICABLE MUST REMAIN WITHIN DIMENSIONS						
THIS DRAWING CONTAINS INFORMATION THAT IS PROPRIETARY TO MOLEX INCORPORATED AND SHOULD NOT BE USED WITHOUT WRITTEN PERMISSION						