



Chipsmall Limited consists of a professional team with an average of over 10 year of expertise in the distribution of electronic components. Based in Hongkong, we have already established firm and mutual-benefit business relationships with customers from,Europe,America and south Asia,supplying obsolete and hard-to-find components to meet their specific needs.

With the principle of "Quality Parts,Customers Priority,Honest Operation,and Considerate Service",our business mainly focus on the distribution of electronic components. Line cards we deal with include Microchip,ALPS,ROHM,Xilinx,Pulse,ON,Everlight and Freescale. Main products comprise IC,Modules,Potentiometer,IC Socket,Relay,Connector.Our parts cover such applications as commercial,industrial, and automotives areas.

We are looking forward to setting up business relationship with you and hope to provide you with the best service and solution. Let us make a better world for our industry!



Contact us

Tel: +86-755-8981 8866 Fax: +86-755-8427 6832

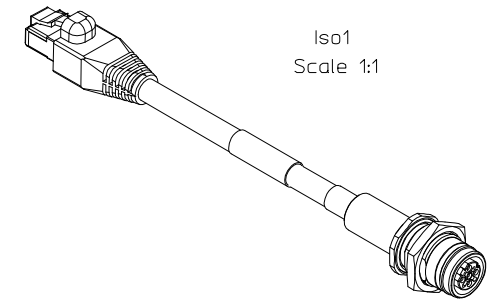
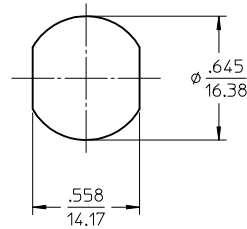
Email & Skype: info@chipsmall.com Web: www.chipsmall.com

Address: A1208, Overseas Decoration Building, #122 Zhenhua RD., Futian, Shenzhen, China

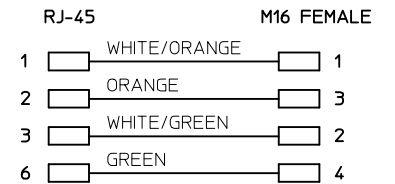
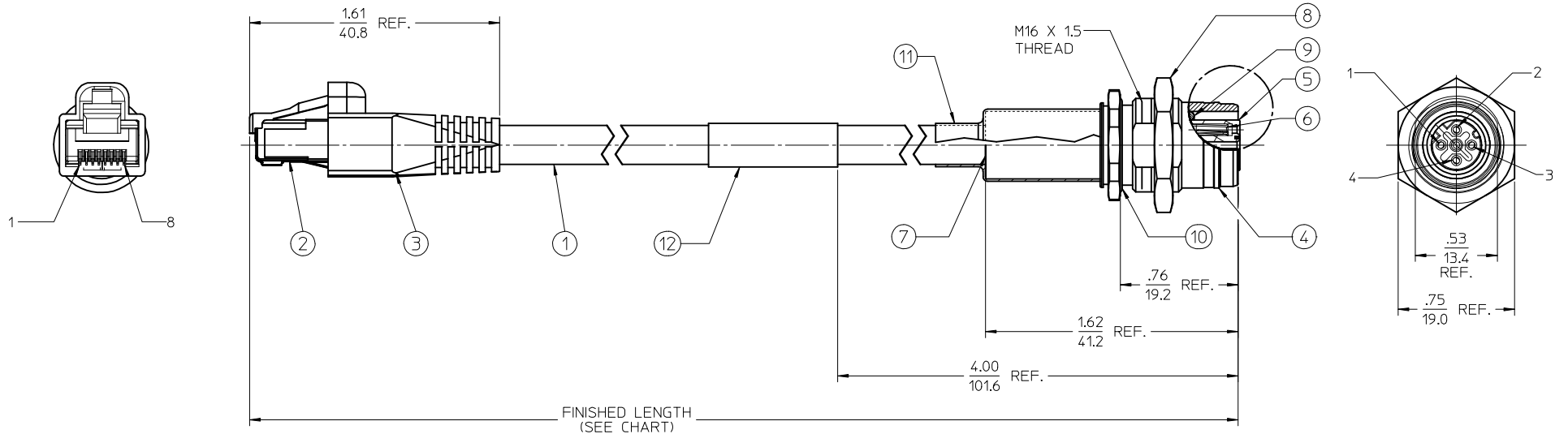


MATERIAL NO.	ENGINEERING NO.	FINISHED LENGTH
1201090006	ERWPAU7005M010	3' 3" +2.19/-0 (1M +55.6mm-0)
1201090007	ERWPAU7005M020	6' 7" +3.50/-0 (2M +88.9mm-0)

PANEL CUTOUT



Iso1
Scale 1:1



WIRE DIAGRAM

NOTES:

- MATERIAL: SEE TABLE
- FINISHES: SEE TABLE
- ELECTRICAL SPECIFICATIONS
VOLTAGE RATING: 150V AC/DC
CURRENT RATING: 1.5 AMPS
- PROTECTION: IP67
- ASSEMBLY IS RoHS COMPLIANT BY EXEMPTION

12	1	WRAP LABEL	VINYL	BLACK/YELLOW
11	1	SHRINK TUBE-CONDUCTIVE	POLYOLEFIN	BLACK OR SILVER
10	1	PANEL MOUNT O-RING	NITRIL	BLACK
9	1	MATING O-RING	VITON	RED
8	1	PANEL NUT	BRASS	NICKEL PLATED
7	1	CABLE SLEEVE	BRASS	NICKEL PLATED
6	4	CONTACT SOCKET	Cu ALLOY	GOLD PLATED
5	1	INSERT, FEMALE, 4P	PUR	BLACK
4	1	RECEPTACLE SHELL,U-LOCK, M16	BRASS	NICKEL PLATED
3	1	RJ-45 BOOT	POLYOLEFIN	BLACK
2	1	RJ-45 PLUG	POLYCARB/Cu ALLOY	CLEAR/GOLD PLATED
1	A/R	RJ-45 CABLE, 26/4, SHLD	TPE JACKET	TEAL
ITEM	QTY.	DESCRIPTION	MATERIAL	FINISH

NEW SALES DRAWING EC NO: IPG2013-1402 DRAWN BY: DRWINRSTONE 2013/03/11 CHKD BY: CHKDK JOZWIK 2013/03/15 APPR: JFMURPHY 2013/04/25	QUALITY SYMBOLS	GENERAL TOLERANCES (UNLESS SPECIFIED)	DIMENSION STYLE	SCALE	DESIGN UNITS	THIRD ANGLE PROJECTION
	▽=0	mm INCH	IN/MM	2:1	INCH	
	▽=0	4 PLACES ± --- ± --- 3 PLACES ± --- ± --- 2 PLACES ± --- ± .01 1 PLACE ± 0.3 ± --- 0 PLACE ± --- ± ---	DRAWN BY: RSTONE DATE: 2013/03/11 CHECKED BY: K JOZWIK DATE: 2013/03/15 APPROVED BY: JFMURPHY DATE: 2013/04/25	TITLE	SHLD ETHERNET CABLE ASSY FEM D-CODE U-LOCK RECEPT TO RJ-45 PLUG, 26 AWG	
	ANGULAR ± 2°	DRAFT WHERE APPLICABLE MUST REMAIN WITHIN DIMENSIONS	MATERIAL NO. SEE CHART	DOCUMENT NO. SD-120109-014	SHEET NO. 1 OF 1	

THIS DRAWING CONTAINS INFORMATION THAT IS PROPRIETARY TO MOLEX INCORPORATED AND SHOULD NOT BE USED WITHOUT WRITTEN PERMISSION
