



Chipsmall Limited consists of a professional team with an average of over 10 year of expertise in the distribution of electronic components. Based in Hongkong, we have already established firm and mutual-benefit business relationships with customers from,Europe,America and south Asia,supplying obsolete and hard-to-find components to meet their specific needs.

With the principle of “Quality Parts,Customers Priority,Honest Operation,and Considerate Service”,our business mainly focus on the distribution of electronic components. Line cards we deal with include Microchip,ALPS,ROHM,Xilinx,Pulse,ON,Everlight and Freescale. Main products comprise IC,Modules,Potentiometer,IC Socket,Relay,Connector.Our parts cover such applications as commercial,industrial, and automotives areas.

We are looking forward to setting up business relationship with you and hope to provide you with the best service and solution. Let us make a better world for our industry!



Contact us

Tel: +86-755-8981 8866 Fax: +86-755-8427 6832

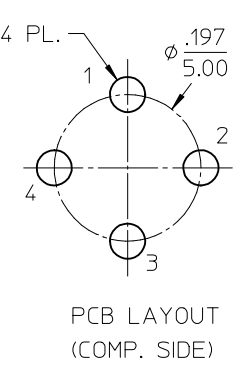
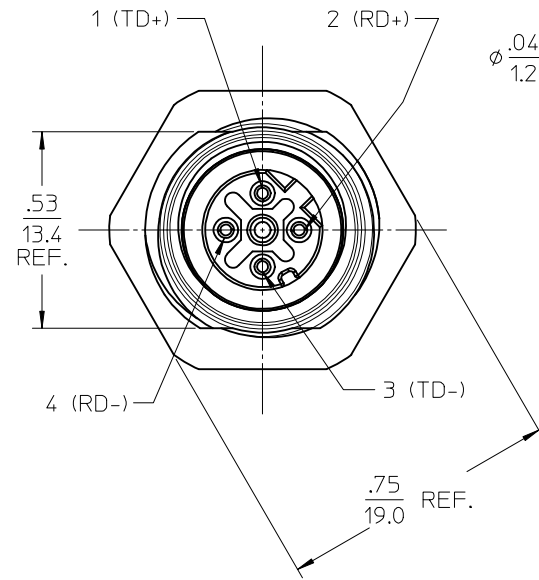
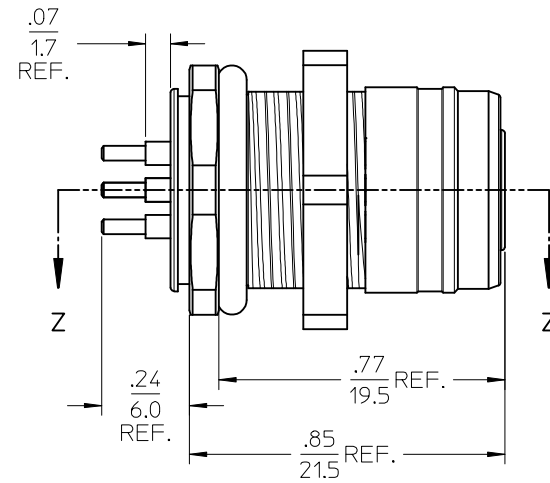
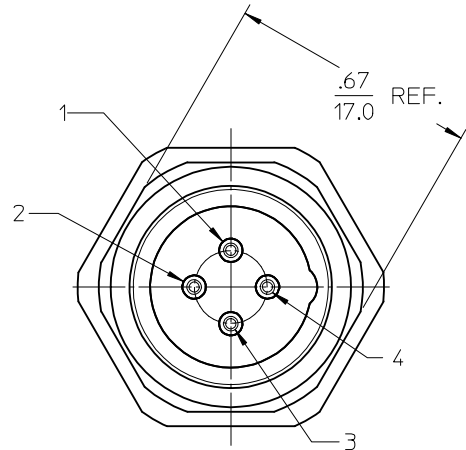
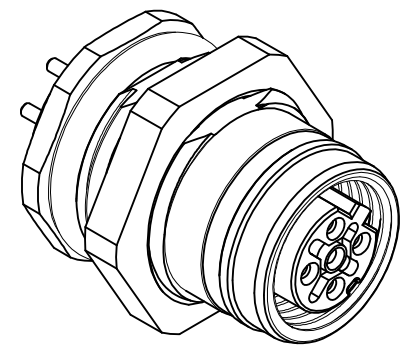
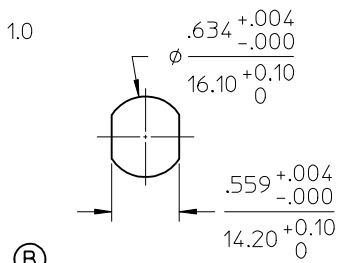
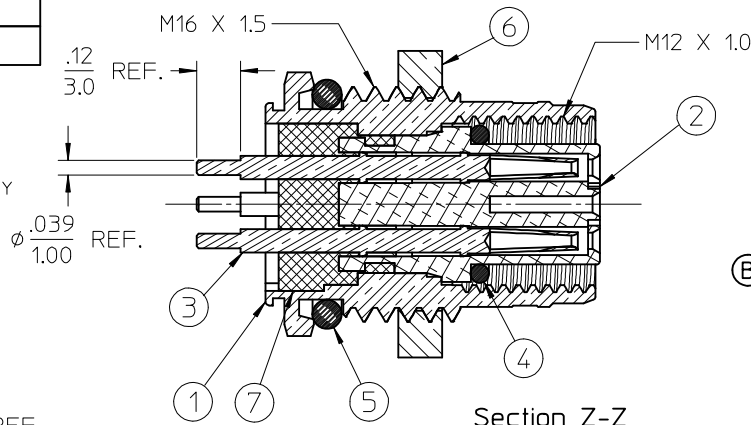
Email & Skype: info@chipsmall.com Web: www.chipsmall.com

Address: A1208, Overseas Decoration Building, #122 Zhenhua RD., Futian, Shenzhen, China



MATERIAL NO. 1201095005	ENGINEERING NO. ERWD2U70
----------------------------	-----------------------------

- NOTES:
 1. MATERIAL: SEE TABLE
 2. FINISHES: SEE TABLE
 3. MATES WITH: ULTRA-LOCK MALE CORD ASSY
 4. ELECTRICAL SPECIFICATIONS:
 VOLTAGE RATING: 250V
 CURRENT RATING: 4 AMPS
 5. ASSEMBLY IS RoHS COMPLIANT



ITEM	QTY.	DESCRIPTION	MATERIAL	FINISH
7	1	POTTING MATERIAL	EPOXY	
6	1	PANEL NUT, M16 X 1.5	Cu ALLOY	NICKEL PLATED
5	1	O-RING (PANEL SEAL)	BUNA-N	BLACK
4	4	O-RING (MATING INTERFACE)	VITON	RED
3	4	CONTACT SOCKET	Cu ALLOY	GOLD PLATED
2	1	INSERT	NYLON	BLACK
1	1	RECEPTACLE SHELL	BRASS	NICKEL PLATED

REV'D KNOCKOUT DIMS	DESCRIPTION
EC NO: PG2014-0062	
DRW:RSTONE	2013/07/08
CHKD:BW	2013/07/11
APPR:WOODMAN	2013/08/16

QUALITY SYMBOLS	DESCRIPTION
▽=0	
▽=0	

GENERAL TOLERANCES (UNLESS SPECIFIED)	
4 PLACES	± .005
3 PLACES	± .005
2 PLACES	± .010
1 PLACE	± .030
ANGULAR ± 1/2°	
DRAFT WHERE APPLICABLE MUST REMAIN WITHIN DIMENSIONS	

DIMENSION STYLE	IN/MM
DRAWN BY	R.STONE
DATE	2009/05/13
CHECKED BY	B.WOODMAN
DATE	2009/05/14
APPROVED BY	J.MURPHY
DATE	2009/05/18
MATERIAL NO.	
SIZE	B

SCALE	3:1
DESIGN UNITS	INCH
THIRD ANGLE PROJECTION	
TITLE	
ULTRA-LOCK RECEPTACLE FEMALE, 4/C, D-CODE BACK MT, M16 THREAD	
MOLEX INCORPORATED	
DOCUMENT NO.	SD-120109-004
SHEET NO.	1 OF 1