



Chipsmall Limited consists of a professional team with an average of over 10 year of expertise in the distribution of electronic components. Based in Hongkong, we have already established firm and mutual-benefit business relationships with customers from,Europe,America and south Asia,supplying obsolete and hard-to-find components to meet their specific needs.

With the principle of “Quality Parts,Customers Priority,Honest Operation,and Considerate Service”,our business mainly focus on the distribution of electronic components. Line cards we deal with include Microchip,ALPS,ROHM,Xilinx,Pulse,ON,Everlight and Freescale. Main products comprise IC,Modules,Potentiometer,IC Socket,Relay,Connector.Our parts cover such applications as commercial,industrial, and automotives areas.

We are looking forward to setting up business relationship with you and hope to provide you with the best service and solution. Let us make a better world for our industry!



## Contact us

Tel: +86-755-8981 8866 Fax: +86-755-8427 6832

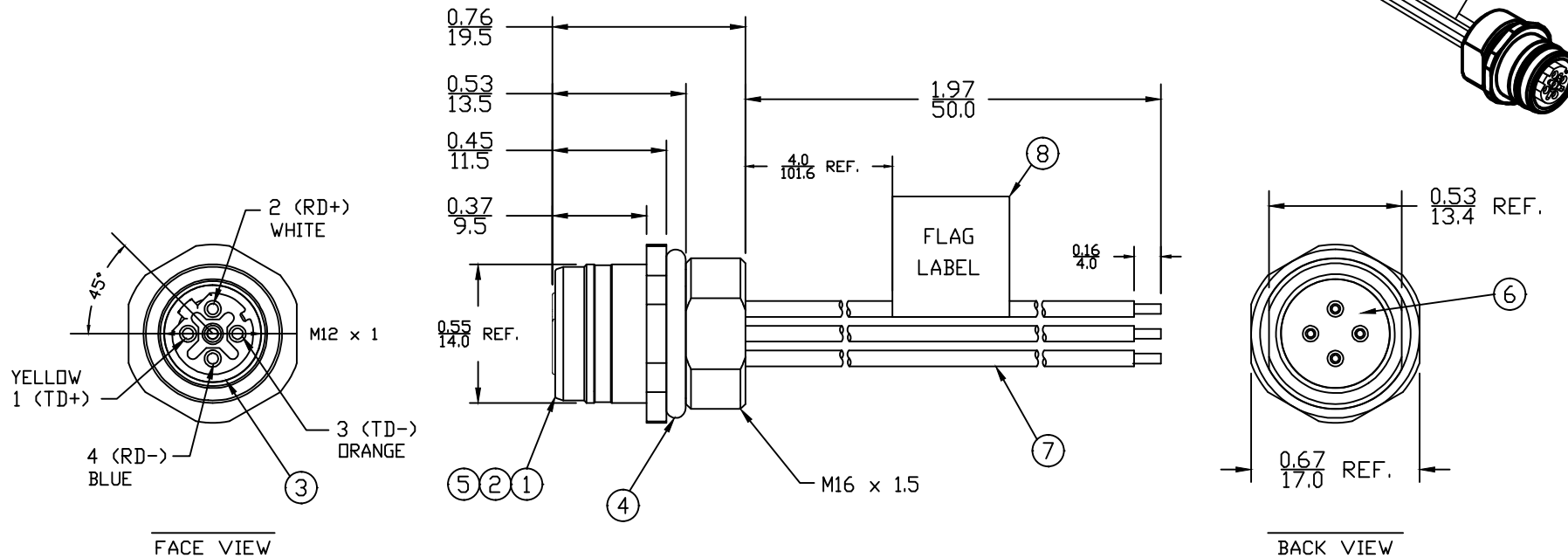
Email & Skype: info@chipsmall.com Web: www.chipsmall.com

Address: A1208, Overseas Decoration Building, #122 Zhenhua RD., Futian, Shenzhen, China

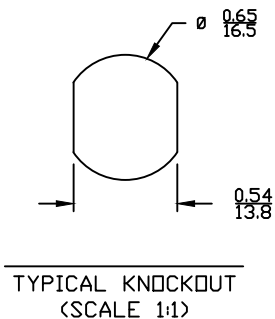


SAP P/N#	ENGINEERING NO.
1201095001	ERWAAU3000C050

AUX VIEW  
SCALE 3/4



- NOTES:
- 1) MATERIAL: SEE TABLE
  - 2) FINISHES: SEE TABLE
  - 3) WIRE: #22-1 PVC, UL1061
  - 4) ELECTRICAL DATA:  
MAX. VOLTAGE: 125V  
MAX. CURRENT: 1.5A
  - 5) ENVIRONMENTAL:  
PROTECTION IP67  
TEMPERATURE RANGE: -10°C TO 80°C
  - 6) ASSEMBLY IS RoHS COMPLIANT.



ITEM	QTY.	DESCRIPTION	MATERIAL	FINISH
8	1	LABEL	PLASTIC FILM	BLACK/YELLOW
7	4	WIRE	PVC	-
6	1	EPDXY	-	BLACK
5	4	SOCKET CONTACT	COPPER ALLDY	NICKEL
4	1	O-RING	NITRILE	BLACK
3	1	O-RING	VITON	RED
2	1	INSERT: D-CODE	PUR	BLACK
1	1	SHELL: FRONT PANEL MOUNT	BRASS	NICKEL

SD RELEASE EC NO: WEU2010-0043 DRWN: VOU CHKD: BWOODMAN APPR: JFMURPHY 8/19/09	QUALITY SYMBOLS $\nabla = 0$ $\nabla C = 0$	GENERAL TOLERANCES (UNLESS SPECIFIED)		DIMENSION STYLE INCH/MM		SCALE 3:2	DESIGN UNITS INCH	THIRD ANGLE PROJECTION		
			mm	INCH	DRAWN BY VOU	DATE 2009/08/14	TITLE M12 U-LOCK RECPT FPM M16 4P FEMALE D-CODE #22-1 PVC WIRES			
		4 PLACES	±---	±---	CHECKED BY BWOODMAN	DATE 2009/08/31	MOLEX INCORPORATED			
		3 PLACES	±---	±0.05	APPROVED BY ---		MATERIAL NO. SEE CHART		DOCUMENT NO. SD-120109-008	SHEET NO. 1 OF 1
2 PLACES	±---	±0.10	ANGULAR ±1°		THIS DRAWING CONTAINS INFORMATION THAT IS PROPRIETARY TO MOLEX INCORPORATED AND SHOULD NOT BE USED WITHOUT WRITTEN PERMISSION					
1 PLACE	±---	±0.20	DRAFT WHERE APPLICABLE MUST REMAIN WITHIN DIMENSIONS							

E  
D  
C  
B  
A

E  
D  
C  
B  
A

6 5 4 3 2 1

6 5 4 3 2 1