



Chipsmall Limited consists of a professional team with an average of over 10 year of expertise in the distribution of electronic components. Based in Hongkong, we have already established firm and mutual-benefit business relationships with customers from,Europe,America and south Asia,supplying obsolete and hard-to-find components to meet their specific needs.

With the principle of “Quality Parts,Customers Priority,Honest Operation,and Considerate Service”,our business mainly focus on the distribution of electronic components. Line cards we deal with include Microchip,ALPS,ROHM,Xilinx,Pulse,ON,Everlight and Freescale. Main products comprise IC,Modules,Potentiometer,IC Socket,Relay,Connector.Our parts cover such applications as commercial,industrial, and automotives areas.

We are looking forward to setting up business relationship with you and hope to provide you with the best service and solution. Let us make a better world for our industry!



## Contact us

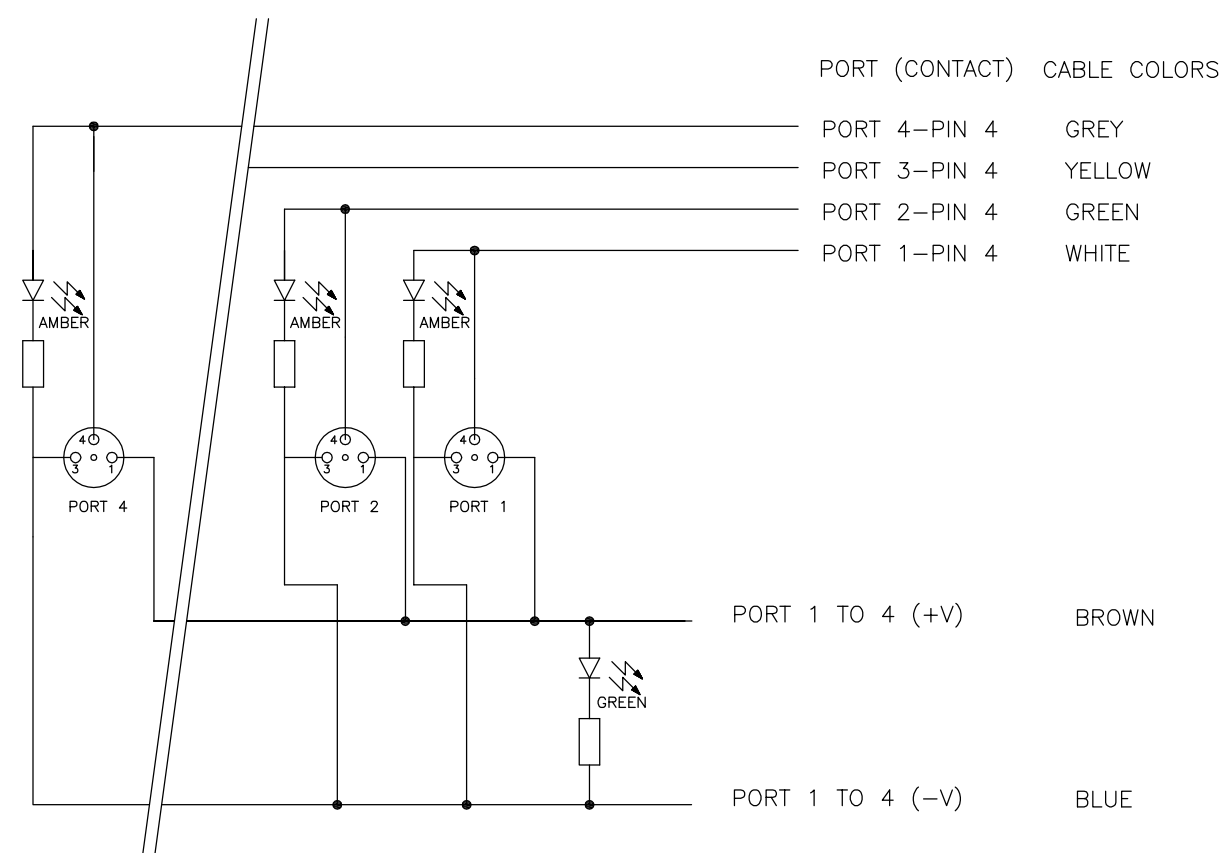
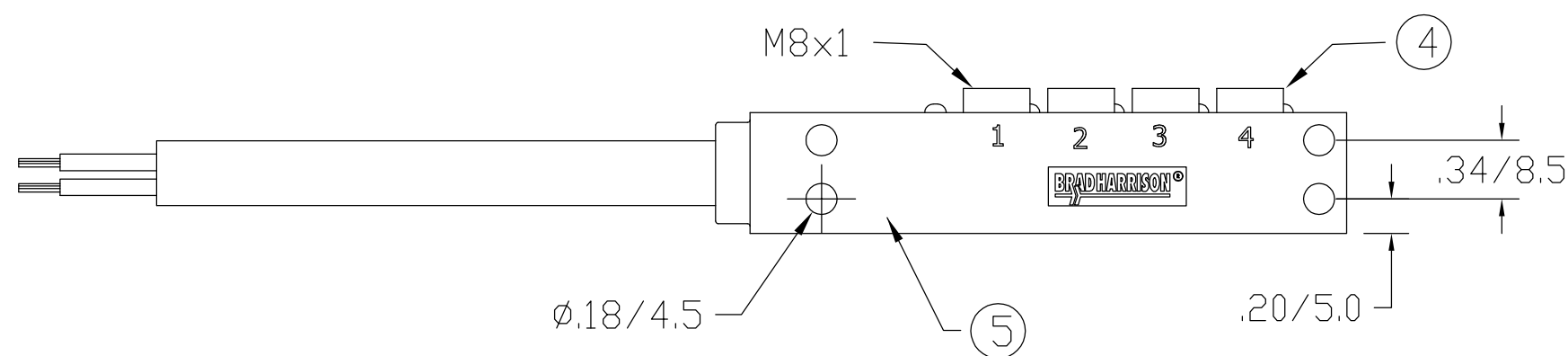
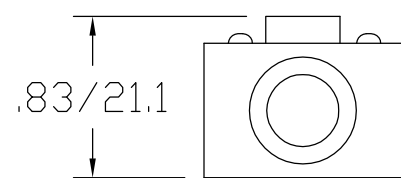
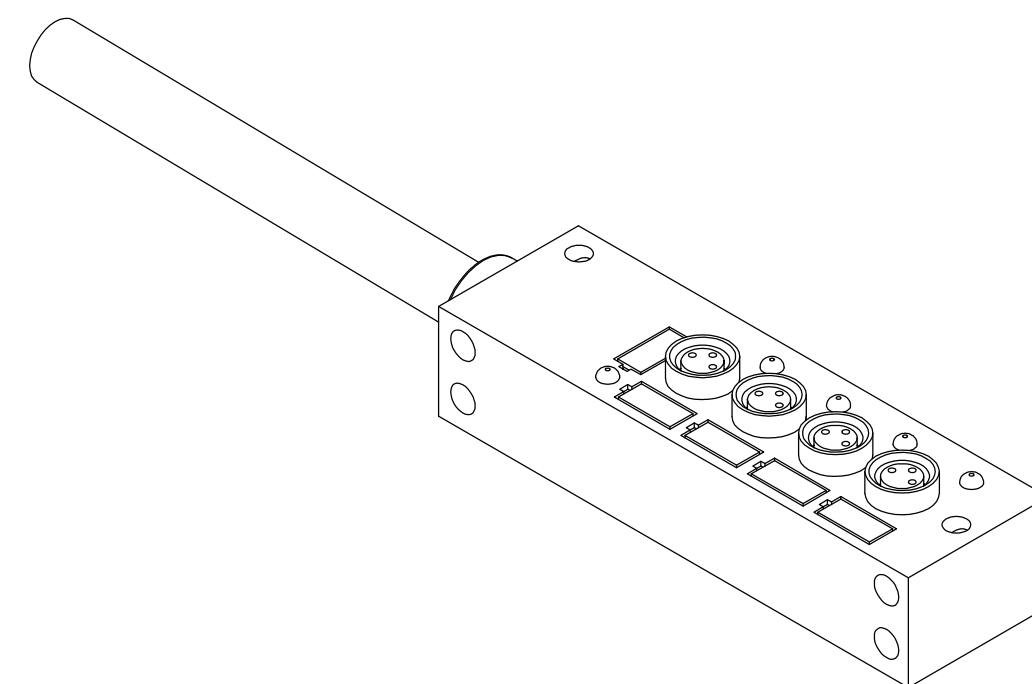
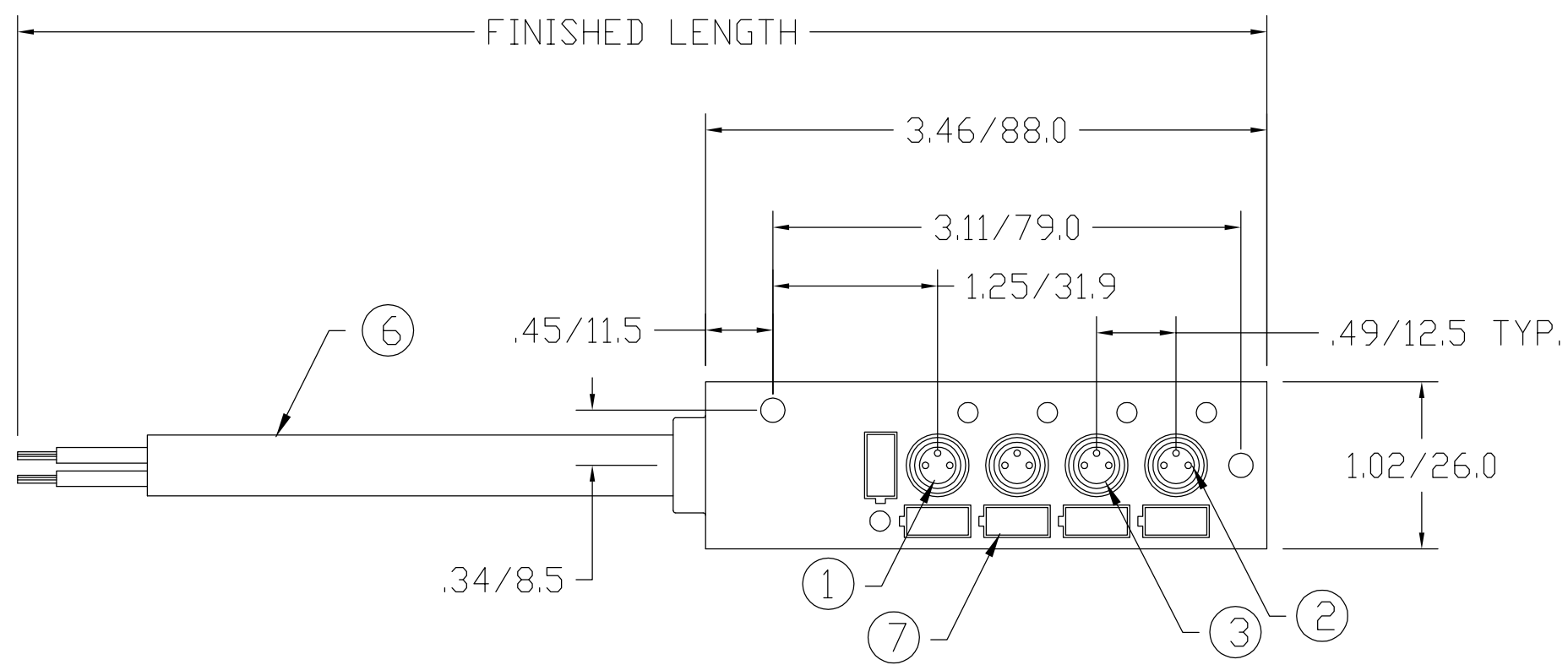
Tel: +86-755-8981 8866 Fax: +86-755-8427 6832

Email & Skype: info@chipsmall.com Web: www.chipsmall.com

Address: A1208, Overseas Decoration Building, #122 Zhenhua RD., Futian, Shenzhen, China



MATERIAL NUMBER	OLD PART NUMBER	FINISHED LENGTH
120113-0006	BEY401P-FBP-05	16.40' +6.50" -0 [5.0M +165.1 -0]
120113-0007	BEY401P-FBP-10	32.80' +12.50" -0 [10.0M +317.5 -0]



WIRING DIAGRAM

ITEM	COMPONENT	MATERIAL	FINISH
1	INSERT	POLYESTER	YELLOW
2	CONTACT SOCKET	COPPER ALLOY	GOLD OVER NICKEL
3	O-RING	VITON	RED
4	RECEPTACLE SHELL	BRASS	NICKEL PLATED
5	HOUSING	NYLON	YELLOW
6	CABLE- 18AWG, 2 CONDUCTOR; 22 AWG, 4 CONDUCTOR, 300V	PVC	YELLOW
7	LABEL	ABS	WHITE

VOLTAGE RATING	10-30 VDC
AMPERAGE RATING PER PORT	2 AMPS
PROTECTION	IP67
OPERATING TEMPERATURE	-20°C TO 90°C

RELEASED DRAWING EC NO: WEU2010-0058 DRWN: LHARTMAN 8/18/09 CH'KD: BWOODMAN 2009/08/21 APPR: JFMURPHY 2009/08/21	QUALITY SYMBOL	GENERAL TOLERANCES (UNLESS SPECIFIED)	DIMENSION STYLE	SCALE	DESIGN UNITS	THIRD ANGLE PROJECTION														
	$\nabla=0$ $\sphericalangle=0$	<table border="1"> <tr> <td></td> <td>mm</td> <td>INCH</td> </tr> <tr> <td>4 PLACES</td> <td>±----</td> <td>±----</td> </tr> <tr> <td>3 PLACES</td> <td>±----</td> <td>±----</td> </tr> <tr> <td>2 PLACES</td> <td>±----</td> <td>±.01</td> </tr> <tr> <td>1 PLACE</td> <td>±0.3</td> <td>±----</td> </tr> </table>		mm	INCH		4 PLACES	±----	±----	3 PLACES	±----	±----	2 PLACES	±----	±.01	1 PLACE	±0.3	±----	IN/MM	NTS
		mm	INCH																	
	4 PLACES	±----	±----																	
3 PLACES	±----	±----																		
2 PLACES	±----	±.01																		
1 PLACE	±0.3	±----																		
REV	DESCRIPTION	ANGULAR ±----°	DRAWN BY DATE <b>LHARTMAN 2009/08/21</b> CHECKED BY DATE <b>BWOODMAN 2009/08/21</b> APPROVED BY DATE	TITLE		<b>NANO-CHANGE MPIS          4 PORT PNP SIDE ENTRY          XX METER PUR CABLE</b>  <b>MOLEX INCORPORATED</b>														
A	DRAFT WHERE APPLICABLE MUST REMAIN WITHIN DIMENSIONS	SEE CHART	MATERIAL NO.	DOCUMENT NO.	SHEET NO.															
			C	THIS DRAWING CONTAINS INFORMATION THAT IS PROPRIETARY TO MOLEX INCORPORATED AND SHOULD NOT BE USED WITHOUT WRITTEN PERMISSION																