



Chipsmall Limited consists of a professional team with an average of over 10 year of expertise in the distribution of electronic components. Based in Hongkong, we have already established firm and mutual-benefit business relationships with customers from,Europe,America and south Asia,supplying obsolete and hard-to-find components to meet their specific needs.

With the principle of “Quality Parts,Customers Priority,Honest Operation,and Considerate Service”,our business mainly focus on the distribution of electronic components. Line cards we deal with include Microchip,ALPS,ROHM,Xilinx,Pulse,ON,Everlight and Freescale. Main products comprise IC,Modules,Potentiometer,IC Socket,Relay,Connector.Our parts cover such applications as commercial,industrial, and automotives areas.

We are looking forward to setting up business relationship with you and hope to provide you with the best service and solution. Let us make a better world for our industry!



Contact us

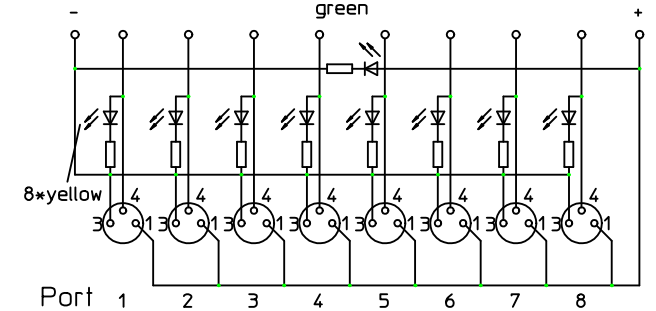
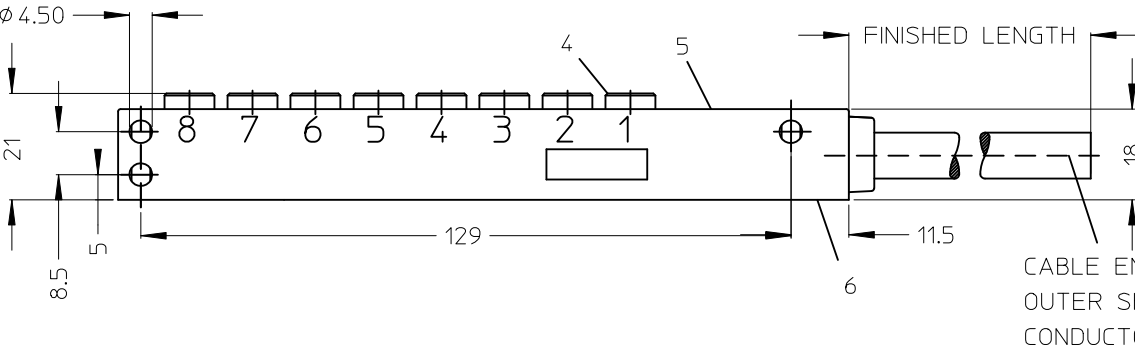
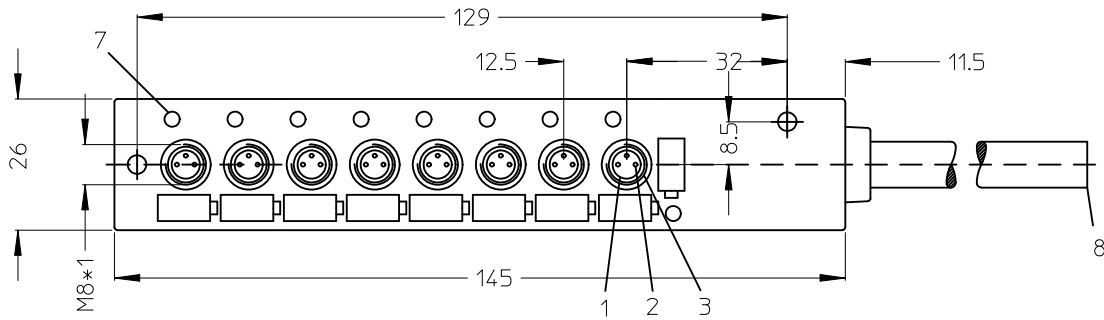
Tel: +86-755-8981 8866 Fax: +86-755-8427 6832

Email & Skype: info@chipsmall.com Web: www.chipsmall.com

Address: A1208, Overseas Decoration Building, #122 Zhenhua RD., Futian, Shenzhen, China



SAP-NUMBER	OLD PART NUMBER	FINISHED LENGTH
1201130014	BEY801P-FBP-05	5000
1201130015	BEY801P-FBP-10	10000



Contact configuration	wire colour	wire mm ²	Port	M8 connector Contact-No.
	brown (+)	0.75	1-8	1
	blue (-)	0.75	1-8	3
	white	0.34	1	4
	green	0.34	2	4
	yellow	0.34	3	4
	grey	0.34	4	4
	pink	0.34	5	4
	red	0.34	6	4
black	0.34	7	4	
violet	0.34	8	4	

CLOSURE CAP

SAP no. 1203080677
Quantity 2

VOLTAGE RATING	10 - 30 VDC
AMPERAGE RATING PER PORT	2 A MAX/PORT 6 A MAX. TOTAL
PROTECTION	IP 67
OPERATING TEMPERATURE	-25°C / +90 °C

ITEM	COMPONENT	MATERIAL	FINISH
1	INSERT	PUR	BLACK
2	CONTAC SOCKET	BRASS	GOLD OVER NICKEL
3	O-RING	VITON	---
4	RECEPTACLE SHELL	BRASS	NICKEL PLATED
5	HOUSING	PBT	YELLOW
6	LABEL	ABS	WHITE
7	LENS	PA	CLEAR
8	CABLE	PUR	---

NEW RELEASE
EC NO: WEU2010-0248
DRWN:SBH 2010/01/08
CHKD:APOHL WEU 2010/01/08
APPR:NSTAUDIGEL 2010/01/29

DESCRIPTION

QUALITY SYMBOLS
 = 0
 = 0

	GENERAL TOLERANCES (UNLESS SPECIFIED)	
	mm	INCH
4 PLACES	± ---	± ---
3 PLACES	± ---	± ---
2 PLACES	± ---	± ---
1 PLACE	± 0.3	± ---
ANGULAR ± ---°		

DRAFT WHERE APPLICABLE MUST REMAIN WITHIN DIMENSIONS

DIMENSION STYLE
MM ONLY

DRAWN BY: SBH
DATE: 2010/01/08

CHECKED BY: APOHL WEU
DATE: 2010/01/08

APPROVED BY: NSTAUDIGEL
DATE: 2010/01/29

MATERIAL NO.

SIZE: **A3**

SCALE: _____ DESIGN UNITS: **METRIC**

THIRD ANGLE PROJECTION

TITLE: **M8-MPIS 8 PORT CABLE
3 POL STRAIGHT OUTLINE**

molex MOLEX INCORPORATED

DOCUMENT NO. **SD-120113-016** SHEET NO. **1 OF 1**

THIS DRAWING CONTAINS INFORMATION THAT IS PROPRIETARY TO MOLEX INCORPORATED AND SHOULD NOT BE USED WITHOUT WRITTEN PERMISSION