



Chipsmall Limited consists of a professional team with an average of over 10 year of expertise in the distribution of electronic components. Based in Hongkong, we have already established firm and mutual-benefit business relationships with customers from,Europe,America and south Asia,supplying obsolete and hard-to-find components to meet their specific needs.

With the principle of “Quality Parts,Customers Priority,Honest Operation,and Considerate Service”,our business mainly focus on the distribution of electronic components. Line cards we deal with include Microchip,ALPS,ROHM,Xilinx,Pulse,ON,Everlight and Freescale. Main products comprise IC,Modules,Potentiometer,IC Socket,Relay,Connector.Our parts cover such applications as commercial,industrial, and automotives areas.

We are looking forward to setting up business relationship with you and hope to provide you with the best service and solution. Let us make a better world for our industry!



## Contact us

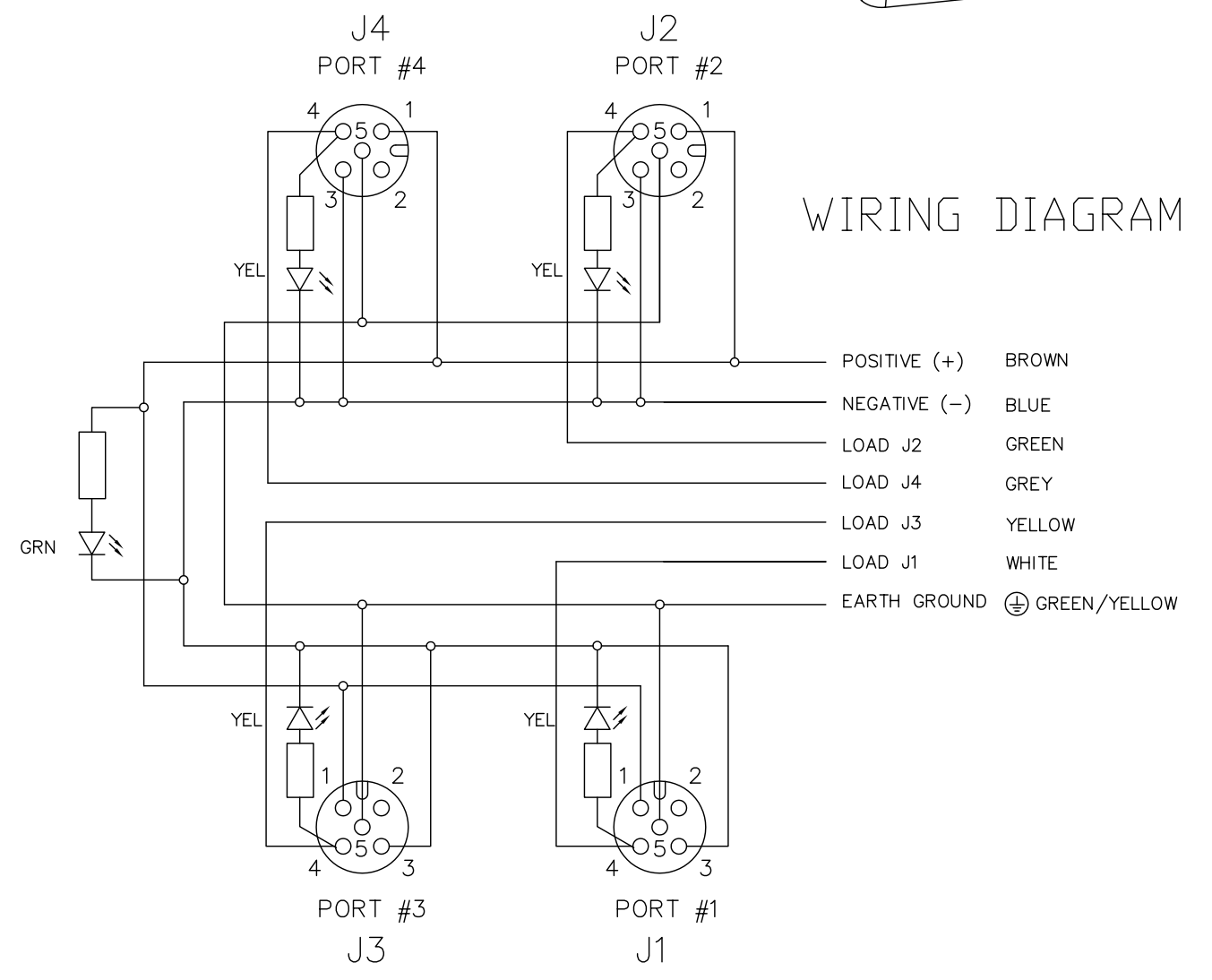
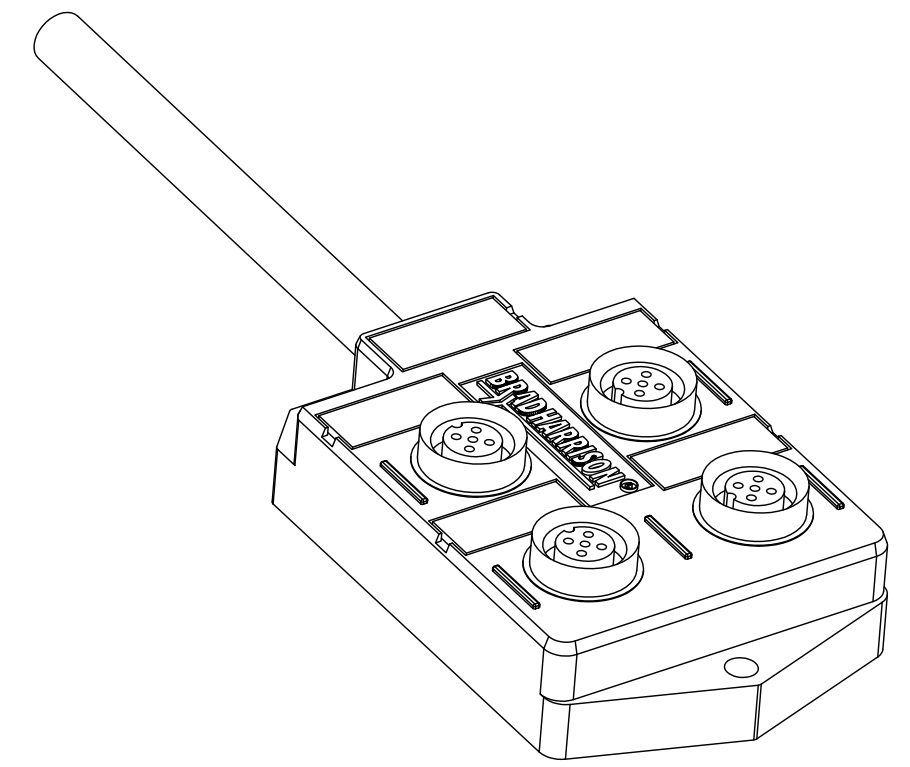
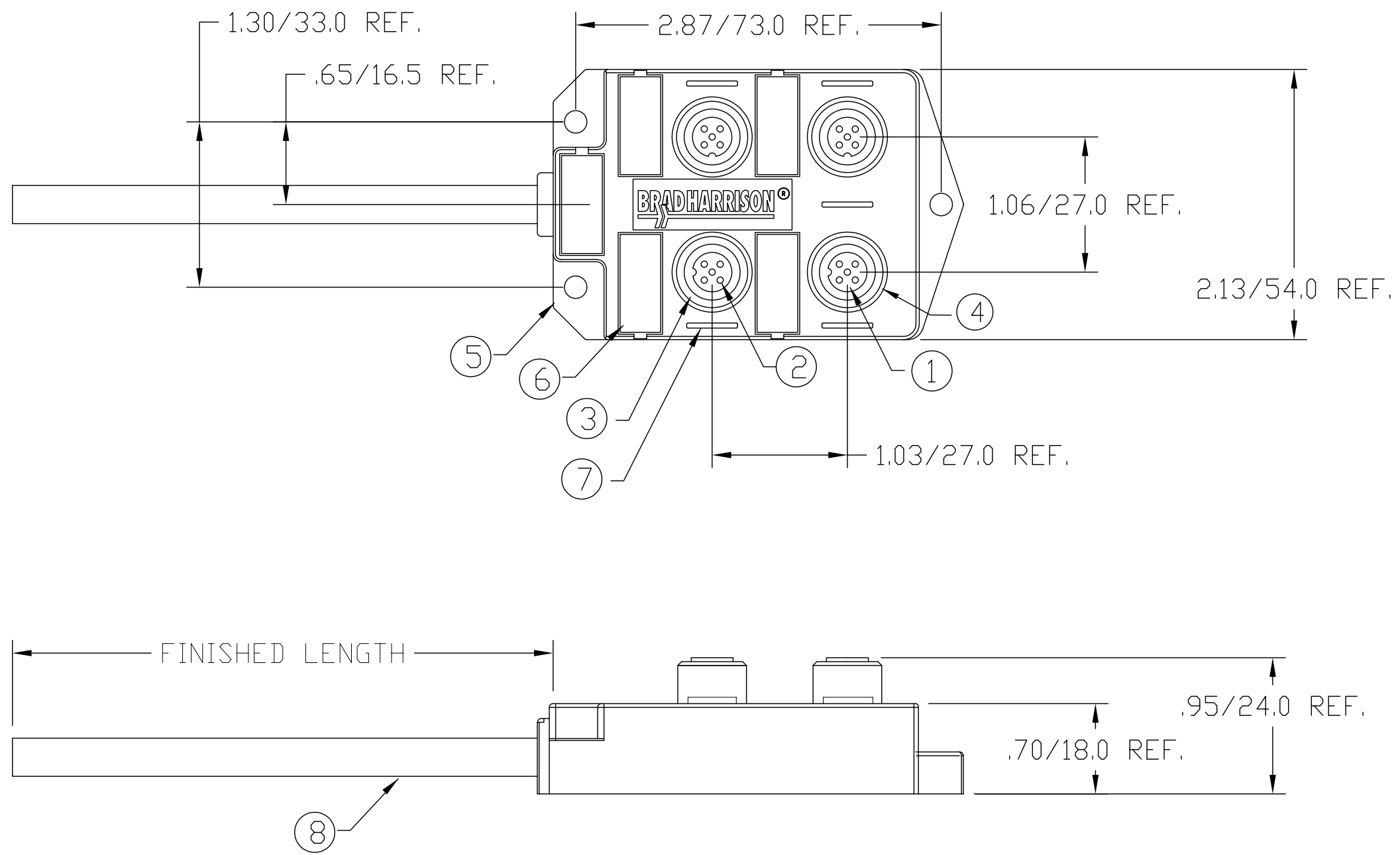
Tel: +86-755-8981 8866 Fax: +86-755-8427 6832

Email & Skype: info@chipsmall.com Web: www.chipsmall.com

Address: A1208, Overseas Decoration Building, #122 Zhenhua RD., Futian, Shenzhen, China



MATERIAL NUMBER	OLD PART NUMBER	FINISHED LENGTH	CABLE JACKET MATERIAL
1201140021	BTY401P-FBE-05	16.40' +6.50" -0 [5.0M +165.1 -0]	PVC
1201140022	BTY401P-FBE-10	32.81' +12.50" -0 [10.0M +317.5 -0]	PVC
1201140024	BTY401P-FBP-05	16.40' +6.50" -0 [5.0M +165.1 -0]	PUR
1201140023	BTY401P-FBE-20	65.60' +12.50" -0 [20.0M +317.5 -0]	PVC
1201140025	BTY401P-FBP-10	32.81' +12.50" -0 [10.0M +317.5 -0]	PUR
1201140026	BTY401P-FBP-20	65.60' +12.50" -0 [20.0M +317.5 -0]	PUR



VOLTAGE RATING	10-30 VDC
AMPERAGE RATING PER PORT	4 AMPS
PROTECTION	IP67
OPERATING TEMPERATURE	-20°C TO 90°C
UL CERTIFICATIONS	UL RECOGNIZED, FILE NO. E46237
CSA CERTIFICATIONS	CSA CERTIFIED, FILE NO. LR6837

ITEM	COMPONENT	MATERIAL	FINISH
1	INSERT	NYLON	BLACK
2	CONTACT SOCKET	COPPER ALLOY	GOLD OVER NICKEL
3	O-RING	NITRILE	RED
4	RECEPTACLE SHELL	BRASS	NICKEL PLATED
5	HOUSING	PBT	YELLOW
6	LABEL	ABS	WHITE
7	LENS	NYLON	CLEAR
8	CABLE, 18AWG, 3 CONDUCTOR, 22AWG, 4 CONDUCTOR, 300V	SEE P/N TABLE	YELLOW

ADD 2 PINS TO TABLE	EC NO: WEU2010-0374	QUALITY SYMBOL	GENERAL TOLERANCES (UNLESS SPECIFIED)
	DRWN: FPACHER 2/16/10		DIMENSION STYLE IN/MM
B1	CH'KD: NSTAUDIG 2009/08/27	DESCRIPTION	SCALE NTS
	APPR: NSTAUDIG 2010/02/18		DESIGN UNITS METRIC
REV			THIRD ANGLE PROJECTION
			TITLE
			DRAFT WHERE APPLICABLE MUST REMAIN WITHIN DIMENSIONS
			SIZE C
			THIS DRAWING CONTAINS INFORMATION THAT IS PROPRIETARY TO MOLEX INCORPORATED AND SHOULD NOT BE USED WITHOUT WRITTEN PERMISSION

4 PLACES	±-	±-	DRAWN BY	DATE	TITLE
3 PLACES	±-	±-	BW	2009/04/02	
2 PLACES	±-	±.01	CHECKED BY	DATE	MICRO-CHANGE MPIS 4 PORT TOP MOUNT PNP #18/3 + #22/4 CABLE
1 PLACE	±0.3	±-	TW	2009/04/02	
ANGULAR ±°			APPROVED BY	DATE	MOLEX INCORPORATED
			NSTAUDIG	2010/02/18	
			MATERIAL NO.	DOCUMENT NO.	SD-120114-002
			SEE CHART		
			SIZE		SHEET NO.
					1 OF 1