



Chipsmall Limited consists of a professional team with an average of over 10 year of expertise in the distribution of electronic components. Based in Hongkong, we have already established firm and mutual-benefit business relationships with customers from,Europe,America and south Asia,supplying obsolete and hard-to-find components to meet their specific needs.

With the principle of “Quality Parts,Customers Priority,Honest Operation,and Considerate Service”,our business mainly focus on the distribution of electronic components. Line cards we deal with include Microchip,ALPS,ROHM,Xilinx,Pulse,ON,Everlight and Freescale. Main products comprise IC,Modules,Potentiometer,IC Socket,Relay,Connector.Our parts cover such applications as commercial,industrial, and automotives areas.

We are looking forward to setting up business relationship with you and hope to provide you with the best service and solution. Let us make a better world for our industry!



Contact us

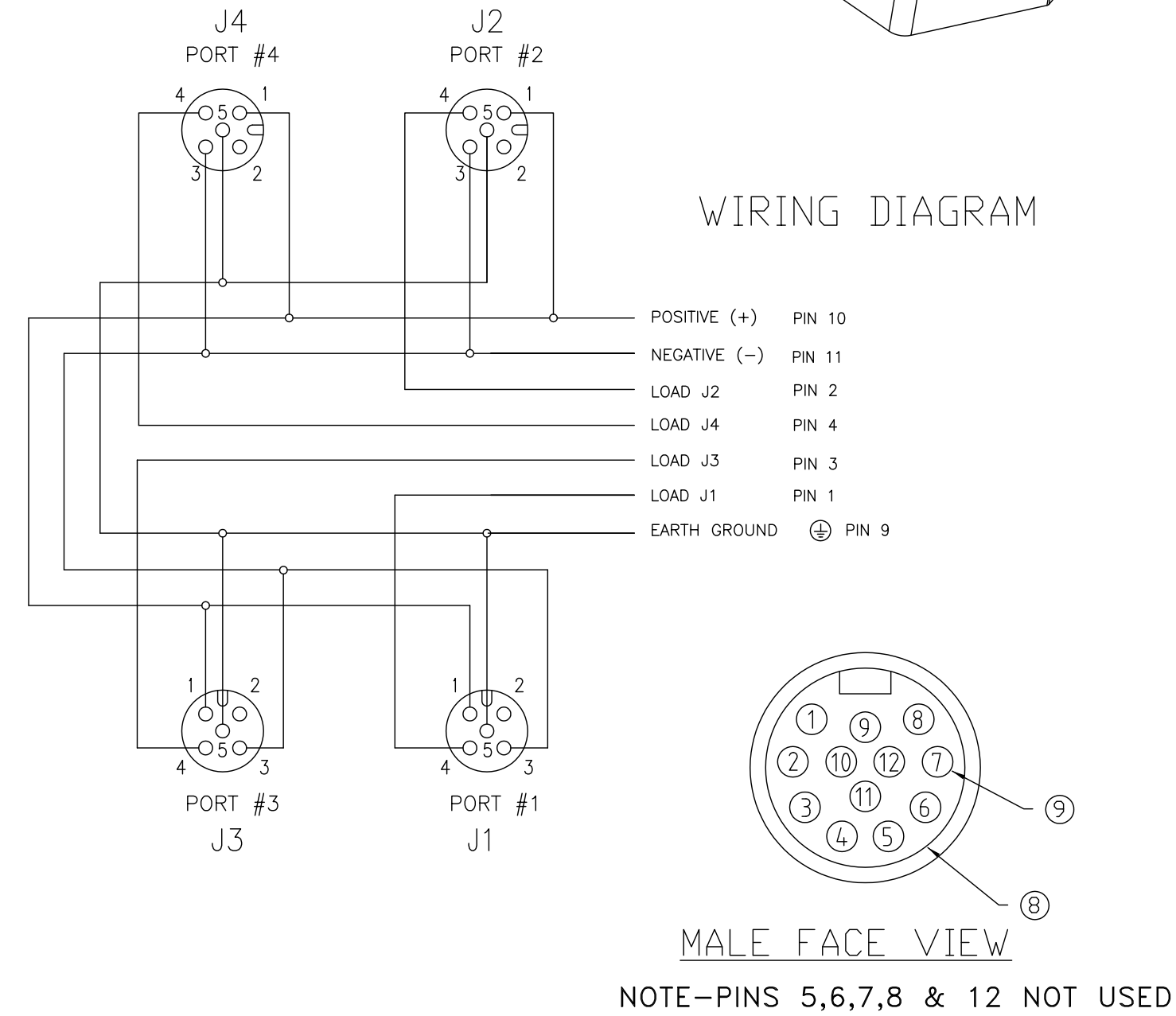
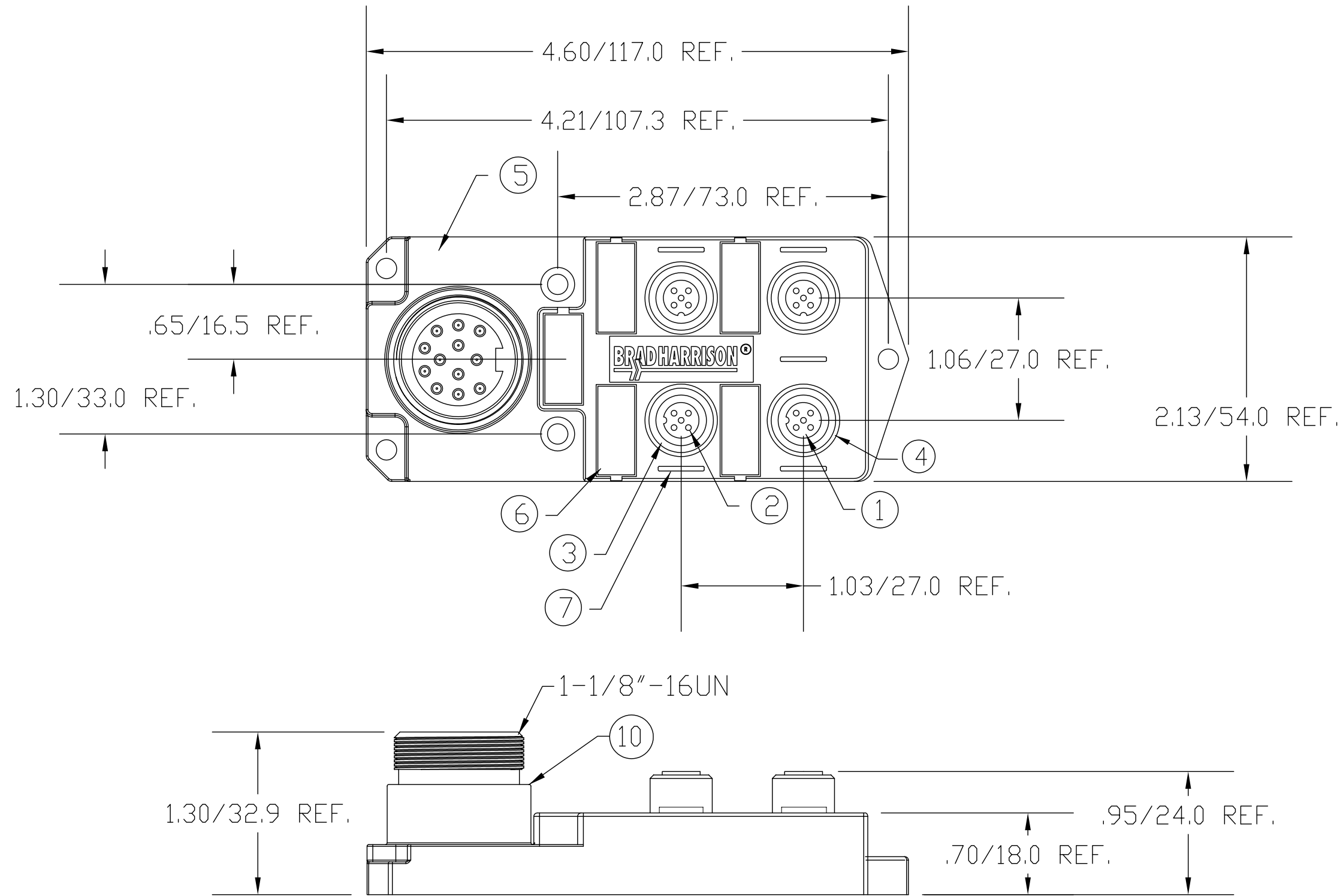
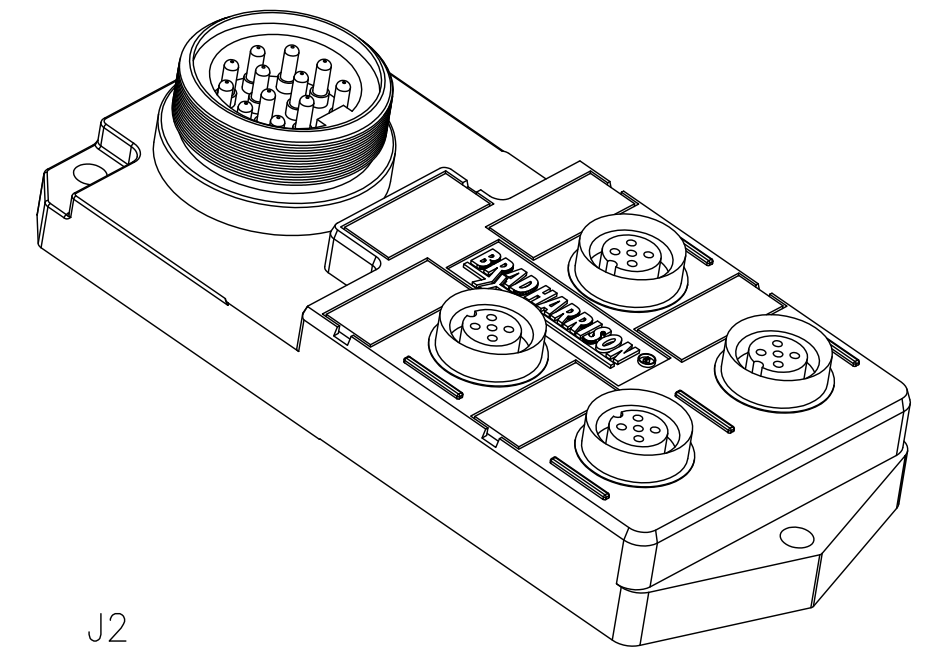
Tel: +86-755-8981 8866 Fax: +86-755-8427 6832

Email & Skype: info@chipsmall.com Web: www.chipsmall.com

Address: A1208, Overseas Decoration Building, #122 Zhenhua RD., Futian, Shenzhen, China



13	12	11	10	9	8	7	6	5	4	3	2	1
MATERIAL NUMBER	OLD PART NUMBER											
1201140027	BTY4010-FBB											



VOLTAGE RATING	10-30 VDC
AMPERAGE RATING PER PORT	4 AMPS
PROTECTION	IP67
OPERATING TEMPERATURE	-20°C TO 90°C
UL CERTIFICATIONS	UL RECOGNIZED, FILE NO. E46237
CSA CERTIFICATIONS	CSA CERTIFIED, FILE NO. LR6837

ITEM	COMPONENT	MATERIAL	FINISH
1	INSERT	NYLON	BLACK
2	CONTACT SOCKET	COPPER ALLOY	GOLD OVER NICKEL
3	O-RING	NITRILE	RED
4	RECEPTACLE SHELL	BRASS	NICKEL PLATED
5	HOUSING	PBT	YELLOW
6	LABEL	ABS	WHITE
7	LENS	NYLON	YELLOW
8	INSERT	PVC	YELLOW
9	CONTACT PIN	COPPER ALLOY	GOLD OVER NICKEL
10	RECEPTACLE SHELL	BRASS	NICKEL PLATED

CORRECTED UL FILE # EC NO: WEU2010-0374 DRWN: FPACHER 2010/02/16 CH'KD: NS APPR: NSTAUDIG 2010/02/18 REV A	QUALITY SYMBOL ▽=0 ▽=0	GENERAL TOLERANCES (UNLESS SPECIFIED) <table border="1"> <tr> <td></td> <td>mm</td> <td>INCH</td> </tr> <tr> <td>4 PLACES</td> <td>±-</td> <td>±-</td> </tr> <tr> <td>3 PLACES</td> <td>±-</td> <td>±-</td> </tr> <tr> <td>2 PLACES</td> <td>±-</td> <td>±.01</td> </tr> <tr> <td>1 PLACE</td> <td>±0.3</td> <td>±-</td> </tr> </table>		mm	INCH	4 PLACES	±-	±-	3 PLACES	±-	±-	2 PLACES	±-	±.01	1 PLACE	±0.3	±-	DIMENSION STYLE IN/MM DRAWN BY: BW DATE: 2009/04/02 CHECKED BY: TW DATE: 2009/04/02 APPROVED BY: NSTAUDIG DATE: 2010/02/18	SCALE: --- DESIGN UNITS: METRIC THIRD ANGLE PROJECTION
		mm	INCH																
	4 PLACES	±-	±-																
	3 PLACES	±-	±-																
2 PLACES	±-	±.01																	
1 PLACE	±0.3	±-																	
DRAFT WHERE APPLICABLE MUST REMAIN WITHIN DIMENSIONS		MATERIAL NO. SEE CHART SIZE C	TITLE: MICRO-CHANGE MPIS 4 PORT TOP MOUNT NO LEDS MINI 12 POLE MALE MOLEX INCORPORATED DOCUMENT NO. SD-120114-015 SHEET NO. 1 OF 1																
THIS DRAWING CONTAINS INFORMATION THAT IS PROPRIETARY TO MOLEX INCORPORATED AND SHOULD NOT BE USED WITHOUT WRITTEN PERMISSION																			