



Chipsmall Limited consists of a professional team with an average of over 10 year of expertise in the distribution of electronic components. Based in Hongkong, we have already established firm and mutual-benefit business relationships with customers from,Europe,America and south Asia,supplying obsolete and hard-to-find components to meet their specific needs.

With the principle of “Quality Parts,Customers Priority,Honest Operation,and Considerate Service”,our business mainly focus on the distribution of electronic components. Line cards we deal with include Microchip,ALPS,ROHM,Xilinx,Pulse,ON,Everlight and Freescale. Main products comprise IC,Modules,Potentiometer,IC Socket,Relay,Connector.Our parts cover such applications as commercial,industrial, and automotives areas.

We are looking forward to setting up business relationship with you and hope to provide you with the best service and solution. Let us make a better world for our industry!



## Contact us

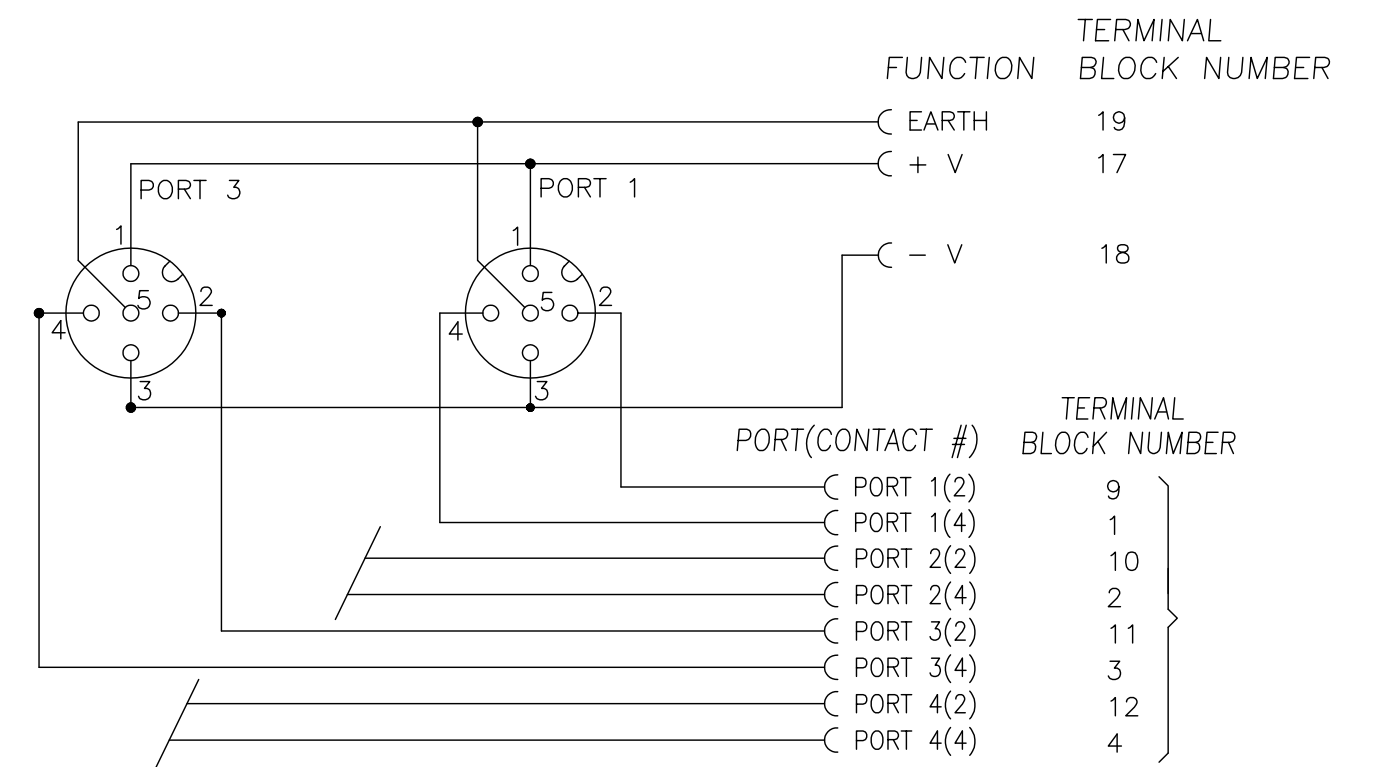
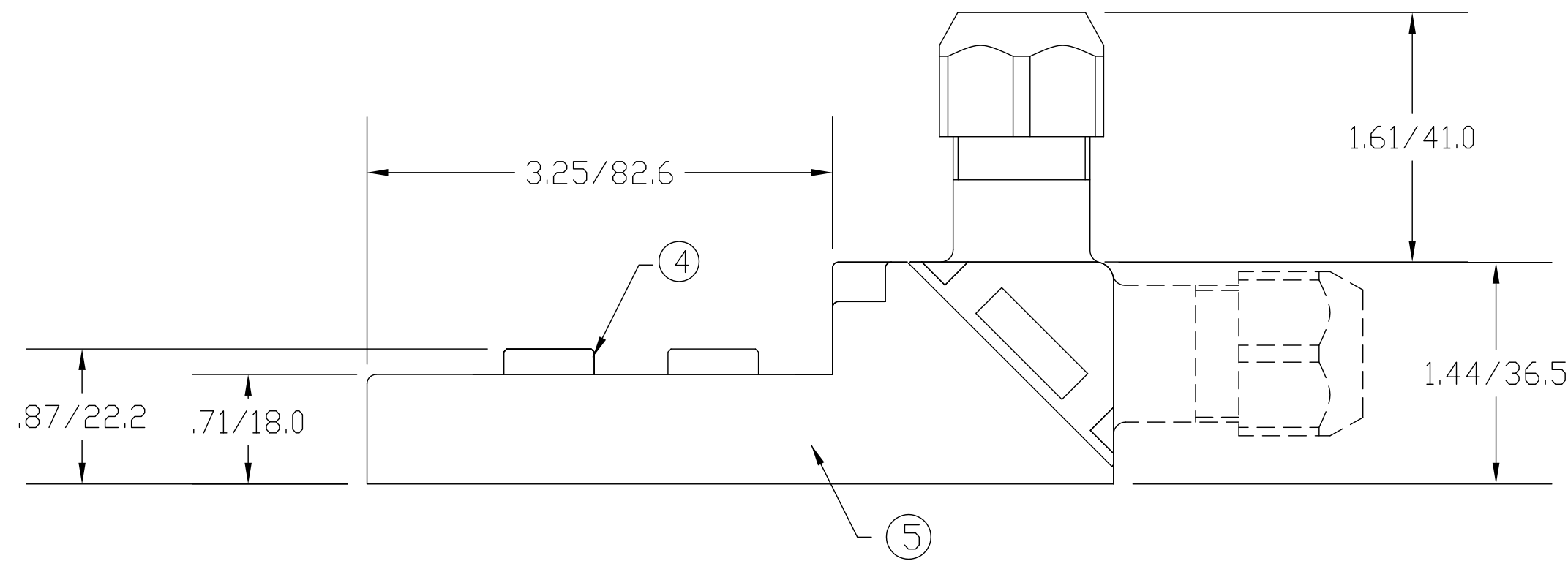
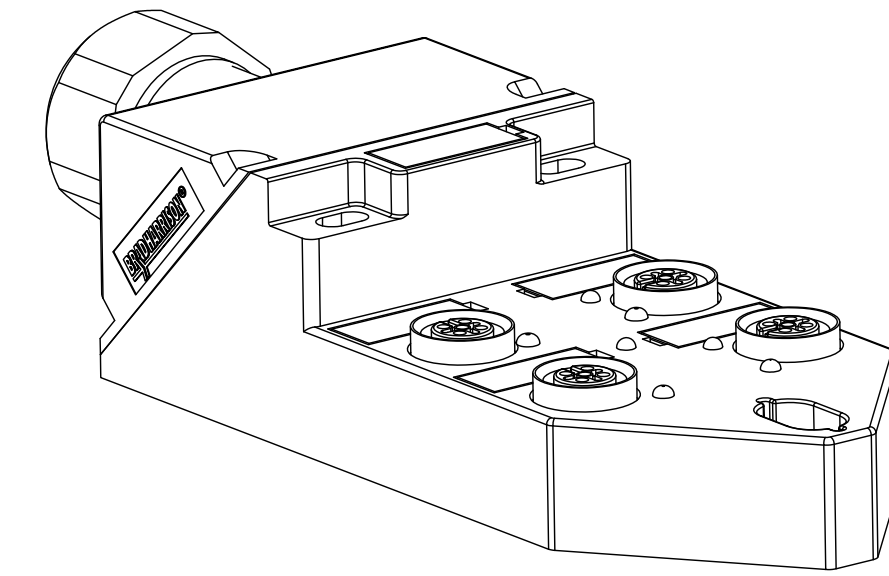
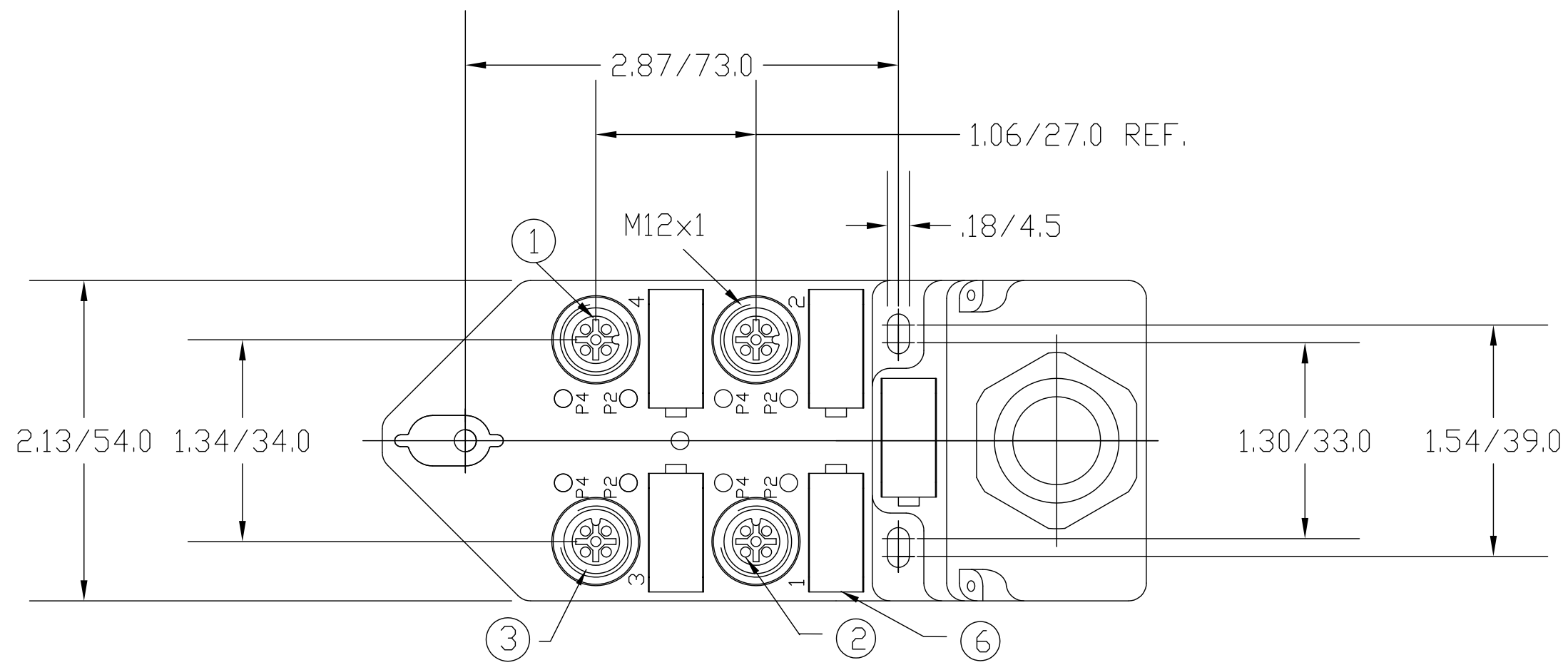
Tel: +86-755-8981 8866 Fax: +86-755-8427 6832

Email & Skype: info@chipsmall.com Web: www.chipsmall.com

Address: A1208, Overseas Decoration Building, #122 Zhenhua RD., Futian, Shenzhen, China



MATERIAL NUMBER	OLD PART NUMBER
1201140034	BTY4030-FBA



WIRING DIAGRAM

VOLTAGE RATING	10-30 VDC
AMPERAGE RATING PER PORT	4 AMPS
PROTECTION	IP67
OPERATING TEMPERATURE	-20°C TO 90°C

ITEM	COMPONENT	MATERIAL	FINISH
1	INSERT	PBT	YELLOW
2	CONTACT SOCKET	COPPER ALLOY	GOLD OVER NICKEL
3	O-RING	VITON	RED
4	RECEPTACLE SHELL	BRASS	NICKEL PLATED
5	HOUSING	PBT	YELLOW
6	LABEL	ABS	WHITE

RLSO DRAWING EC NO: WEU2010-0374 DRWN: FPACHER 2010/02/16 CH'KD: NS APPR: NSTAUDIG 2010/02/18	QUALITY SYMBOL	DESCRIPTION
	▽=0	
	∇=0	
	REV	

GENERAL TOLERANCES (UNLESS SPECIFIED)	
	mm INCH
4 PLACES	±. mm ±. INCH
3 PLACES	±. mm ±. INCH
2 PLACES	±. mm ±.01 INCH
1 PLACE	±0.3 mm ±. INCH
ANGULAR ±°	
DRAFT WHERE APPLICABLE MUST REMAIN WITHIN DIMENSIONS	

DIMENSION STYLE	IN/MM
SCALE	----
DESIGN UNITS	METRIC
THIRD ANGLE PROJECTION	
DRAWN BY	DATE
BW	2009/04/03
CHECKED BY	DATE
TW	2009/04/03
APPROVED BY	DATE
NSTAUDIG	2010/02/18
MATERIAL NO.	SEE CHART
SIZE	C

TITLE	MICRO-CHANGE MPIS 4 PORT TOP MOUNT TWIN I/O ATTACHABLE	
	MOLEX INCORPORATED	
DOCUMENT NO.	SD-120114-012	SHEET NO. 1 OF 1
THIS DRAWING CONTAINS INFORMATION THAT IS PROPRIETARY TO MOLEX INCORPORATED AND SHOULD NOT BE USED WITHOUT WRITTEN PERMISSION		