



Chipsmall Limited consists of a professional team with an average of over 10 year of expertise in the distribution of electronic components. Based in Hongkong, we have already established firm and mutual-benefit business relationships with customers from,Europe,America and south Asia,supplying obsolete and hard-to-find components to meet their specific needs.

With the principle of “Quality Parts,Customers Priority,Honest Operation,and Considerate Service”,our business mainly focus on the distribution of electronic components. Line cards we deal with include Microchip,ALPS,ROHM,Xilinx,Pulse,ON,Everlight and Freescale. Main products comprise IC,Modules,Potentiometer,IC Socket,Relay,Connector.Our parts cover such applications as commercial,industrial, and automotives areas.

We are looking forward to setting up business relationship with you and hope to provide you with the best service and solution. Let us make a better world for our industry!



Contact us

Tel: +86-755-8981 8866 Fax: +86-755-8427 6832

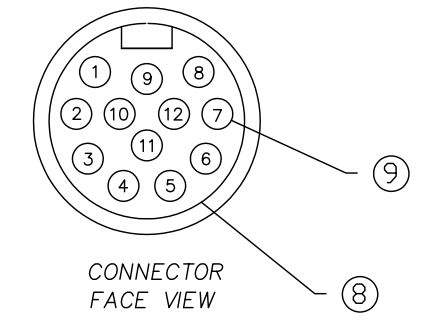
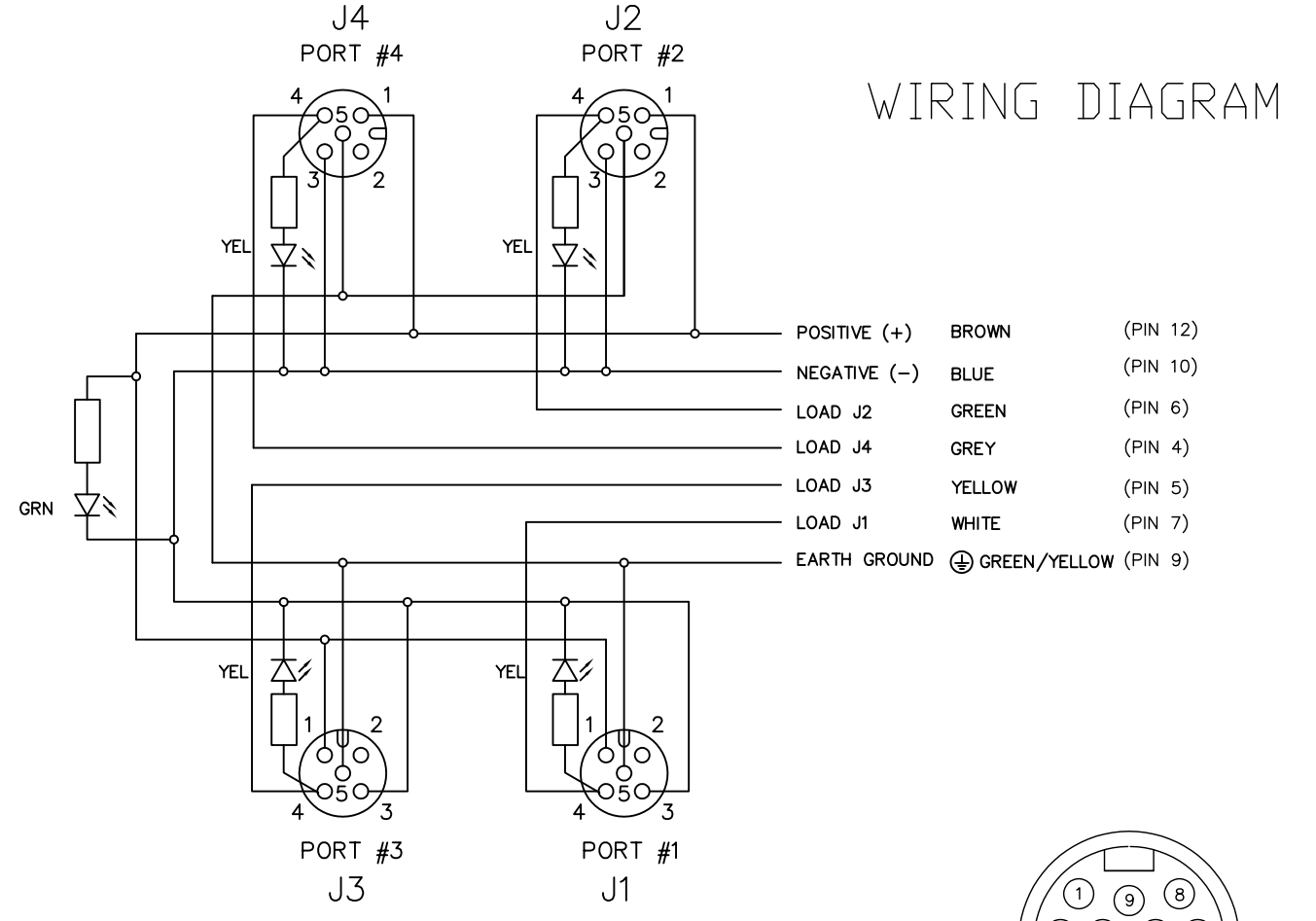
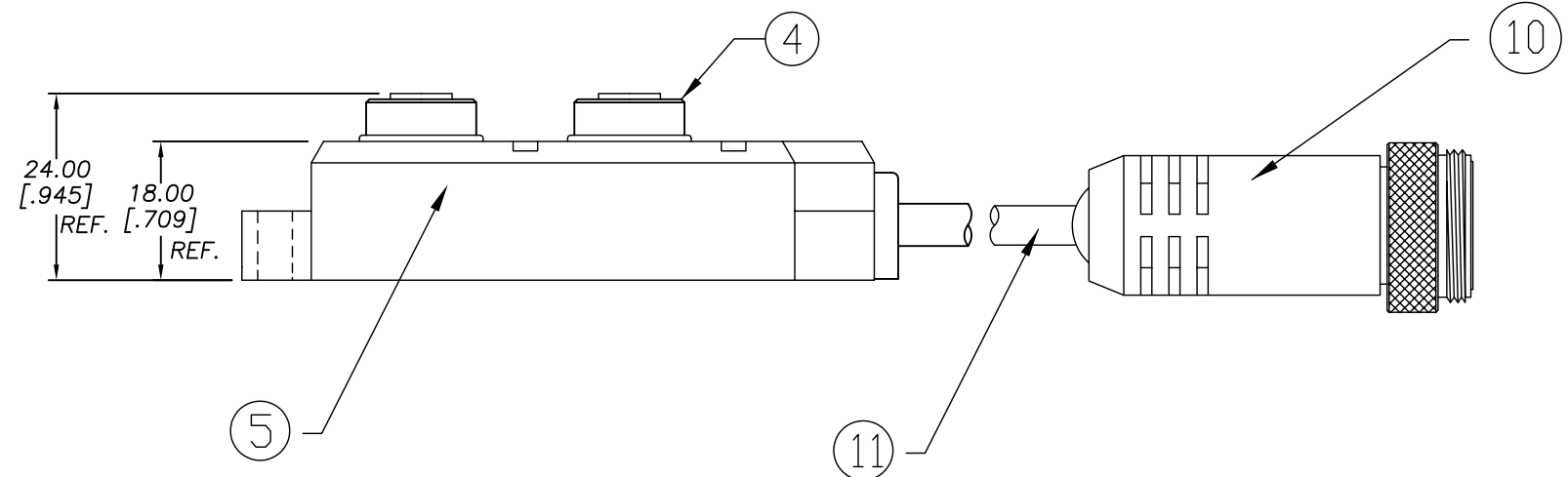
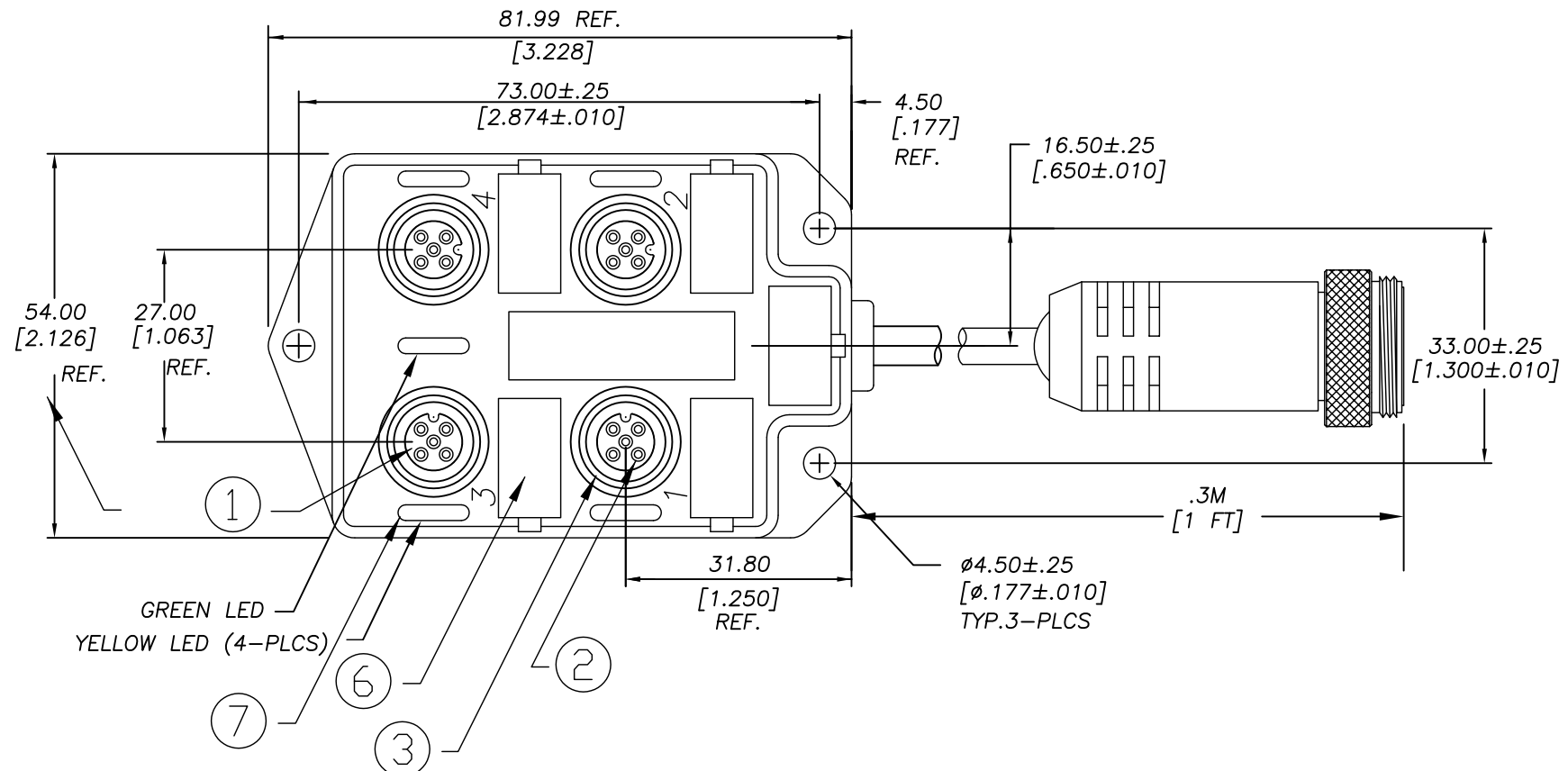
Email & Skype: info@chipsmall.com Web: www.chipsmall.com

Address: A1208, Overseas Decoration Building, #122 Zhenhua RD., Futian, Shenzhen, China



MATERIAL NUMBER
1201140053

OLD PART NUMBER
BTY497P-FBP



NUMBERS IN BRACKETS ARE FOR NUMBERED CORED CABLE

| ITEM | MATERIAL | FINISH |
|------|---|------------------|
| 1 | INSERT | BLACK |
| 2 | CONTACT SOCKET | GOLD OVER NICKEL |
| 3 | O-RING | RED |
| 4 | RECEPTACLE SHELL | NICKEL PLATED |
| 5 | HOUSING | YELLOW |
| 6 | LABEL | WHITE |
| 7 | LENS | CLEAR |
| 8 | INSERT | YELLOW |
| 9 | CONTACT PIN | GOLD OVER NICKEL |
| 10 | RECEPTACLE SHELL | NICKEL PLATED |
| 11 | CABLE 18AWG, 3 CONDUCTOR + 22AWG 8 CONDUCTOR, 300V, HIGH FLEX | --- |

| | |
|--------------------------|--------------------------------|
| VOLTAGE RATING | 10-30 VDC |
| AMPERAGE RATING PER PORT | 4 AMPS |
| PROTECTION | IP67 |
| OPERATING TEMPERATURE | -20°C TO 90°C |
| UL CERTIFICATIONS | UL RECOGNIZED, FILE NO. E46237 |
| CSA CERTIFICATIONS | CSA CERTIFIED, FILE NO. LR6837 |

| | | | | | | | | | | | | | | | | | | | | | |
|---|-------------------------------------|---|--------------------------------------|---|------|----------|------|------|----------|------|------|----------|------|------|---------|------|------|--|--|---|----------------------------|
| ADD 2 PINS TO TABLE EC NO: WEU2010-0441 DRWN: BBRAUCH 2010/03/17 CH'KD: FP APPR: FPACHER 2010/03/19 | QUALITY SYMBOL ▽=0 ◁=0 | GENERAL TOLERANCES (UNLESS SPECIFIED) <table border="1"> <tr> <td></td> <td>mm</td> <td>INCH</td> </tr> <tr> <td>4 PLACES</td> <td>±---</td> <td>±---</td> </tr> <tr> <td>3 PLACES</td> <td>±---</td> <td>±---</td> </tr> <tr> <td>2 PLACES</td> <td>±---</td> <td>±.01</td> </tr> <tr> <td>1 PLACE</td> <td>±0.3</td> <td>±---</td> </tr> </table> | | mm | INCH | 4 PLACES | ±--- | ±--- | 3 PLACES | ±--- | ±--- | 2 PLACES | ±--- | ±.01 | 1 PLACE | ±0.3 | ±--- | DIMENSION STYLE IN/MM DRAWN BY: BBRAUCH DATE: 2010/03/17 CHECKED BY: FP DATE: 2010/03/17 APPROVED BY: FPACHER DATE: 2010/03/18 | SCALE: 2:1 DESIGN UNITS: METRIC THIRD ANGLE PROJECTION | TITLE MICRO-CHANGE MPIS 4 PORT TOP MOUNT PNP #18/3 + #22/8 CABLE MOLEX INCORPORATED | SHEET NO. 1 OF 1 |
| | | mm | INCH | | | | | | | | | | | | | | | | | | |
| | 4 PLACES | ±--- | ±--- | | | | | | | | | | | | | | | | | | |
| | 3 PLACES | ±--- | ±--- | | | | | | | | | | | | | | | | | | |
| 2 PLACES | ±--- | ±.01 | | | | | | | | | | | | | | | | | | | |
| 1 PLACE | ±0.3 | ±--- | | | | | | | | | | | | | | | | | | | |
| DRAFT WHERE APPLICABLE MUST REMAIN WITHIN DIMENSIONS | | MATERIAL NO. SEE CHART | DOCUMENT NO. SD-120114-064 | THIS DRAWING CONTAINS INFORMATION THAT IS PROPRIETARY TO MOLEX INCORPORATED AND SHOULD NOT BE USED WITHOUT WRITTEN PERMISSION | | | | | | | | | | | | | | | | | |
| 1 | REV | | | | | | | | | | | | | | | | | | | | |