



Chipsmall Limited consists of a professional team with an average of over 10 year of expertise in the distribution of electronic components. Based in Hongkong, we have already established firm and mutual-benefit business relationships with customers from,Europe,America and south Asia,supplying obsolete and hard-to-find components to meet their specific needs.

With the principle of “Quality Parts,Customers Priority,Honest Operation,and Considerate Service”,our business mainly focus on the distribution of electronic components. Line cards we deal with include Microchip,ALPS,ROHM,Xilinx,Pulse,ON,Everlight and Freescale. Main products comprise IC,Modules,Potentiometer,IC Socket,Relay,Connector.Our parts cover such applications as commercial,industrial, and automotives areas.

We are looking forward to setting up business relationship with you and hope to provide you with the best service and solution. Let us make a better world for our industry!



## Contact us

Tel: +86-755-8981 8866 Fax: +86-755-8427 6832

Email & Skype: info@chipsmall.com Web: www.chipsmall.com

Address: A1208, Overseas Decoration Building, #122 Zhenhua RD., Futian, Shenzhen, China



TABLE 1 BILL OF MATERIAL

ITEM	QTY	DESCRIPTION	MATERIAL	FINISH
1	7	LABEL	ABS	WHITE
2	1	CABLE PLATE	PBT	YELLOW
3	1	CABLE	SEE ENG. NO. MATRIX	SEE ENG. NO. MATRIX
4	24	CONTACT	BRASS	GOLD OVER NICKEL
5	6	O-RING	FPM	RED
6	6	SHELL	BRASS	NICKEL PLATET
7	7	LED	NON LED = PBT/ WITH LED = PA	NON LED YELLOW/ WITH LED TRANSPARENT
8	2	PROTECTING CAP	PP	BLACK
9	1	HOUSING	PBT	YELLOW

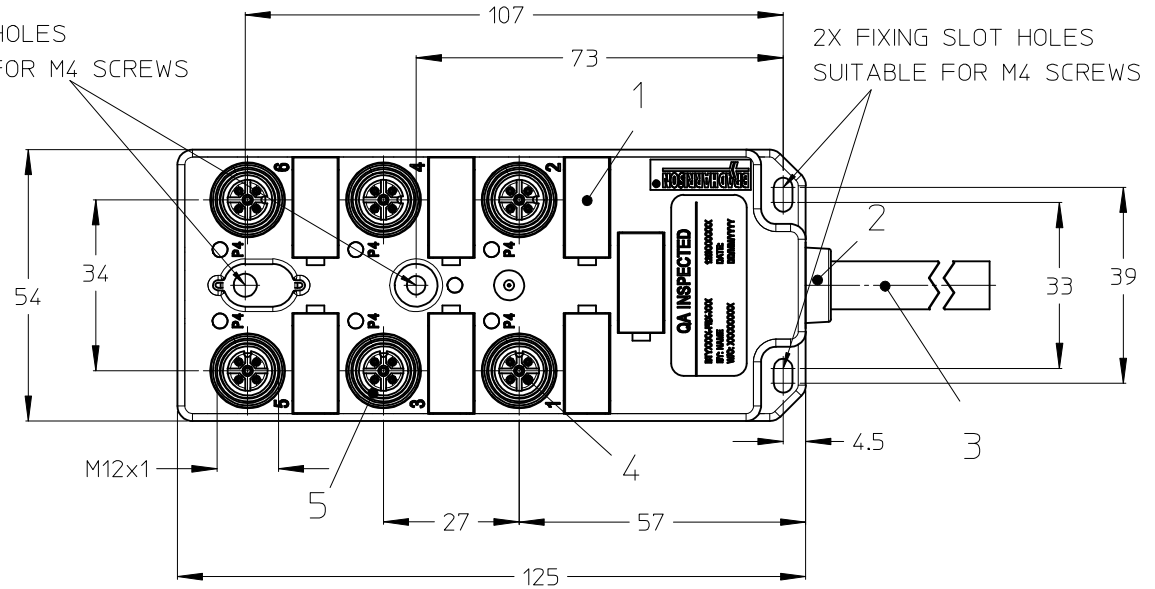
GENERAL CHARACTERISTICS

NOMINAL VOLTAGE: 10-30 V DC  
 POLLUTION DEGREE: 3  
 RATED CURRENT: 4 A PER PORT / 12 A MAX: TOTAL  
 CONTACT RESISTANCE: ≤ 5 mOHM  
 ISULATION RESISTANCE: > 10<sup>9</sup> OHM  
 IP DEGREE OF PROTECTION: IP 67  
 IP 68 REFER TO TEST SUMMARY TS-120005-016

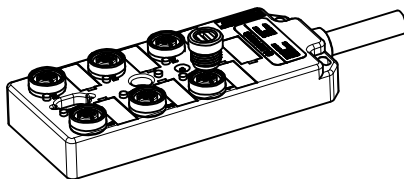
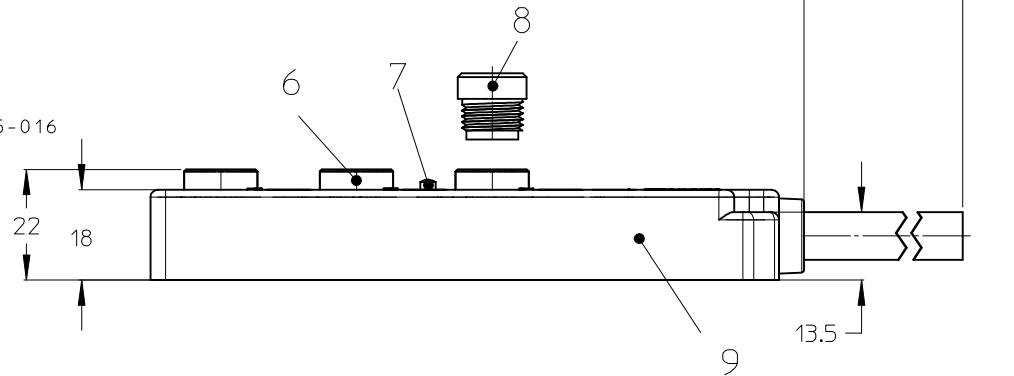
TEMPERATURE RANGE: -25°C to + 85°C  
 (BOX ONLY)

FLAMMABILITY:  
 Insert: V0  
 HOUSING: V0  
 POTTING MATERIAL: V0

2X FIXING HOLES  
SUITABLE FOR M4 SCREWS

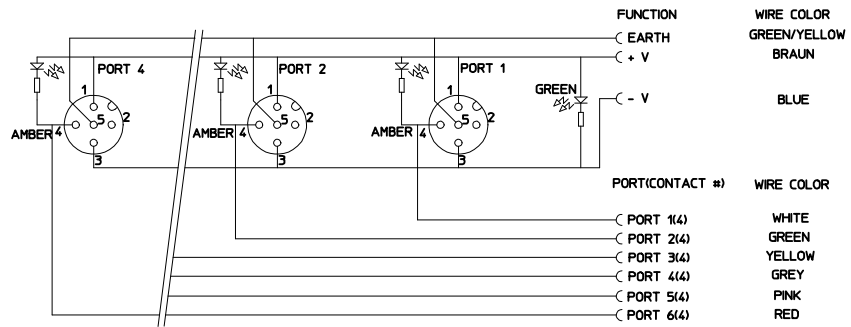


SEE TABLE 1+3

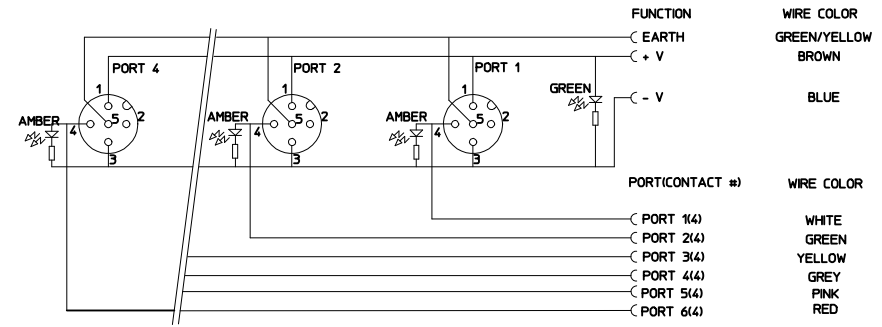


ENTER DESCRIPTION EC NO: IPG2014-0267 DRINKULETTEMEIER 2013/09/24 CHYKARSILLER 2013/09/25 APPR: CBURGER 2013/10/07 REV A3	QUALITY SYMBOLS ▽=0 ◻=0	GENERAL TOLERANCES (UNLESS SPECIFIED) mm INCH 4 PLACES ± --- ± --- 3 PLACES ± --- ± --- 2 PLACES ± 0.1 ± --- 1 PLACE ± 0.2 ± --- 0 PLACE ± --- ± --- ANGULAR ± 2 ° DRAFT WHERE APPLICABLE MUST REMAIN WITHIN DIMENSIONS	DIMENSION STYLE MM ONLY DRAWN BY DATE LSG 2011/08/18 CHECKED BY DATE ZISMAYILOV 2011/12/14 APPROVED BY DATE CBURGER 2011/12/20 MATERIAL NO. SEE TABLE 2	SCALE 1:1 DESIGN UNITS METRIC THIRD ANGLE PROJECTION	TITLE MPIS M12 PNP NPN NOS 4P 6PT AC FE STR XM molex DOCUMENT NO. SD-120005-013 SHEET NO. 1 OF 3
	THIS DRAWING CONTAINS INFORMATION THAT IS PROPRIETARY TO MOLEX INCORPORATED AND SHOULD NOT BE USED WITHOUT WRITTEN PERMISSION				

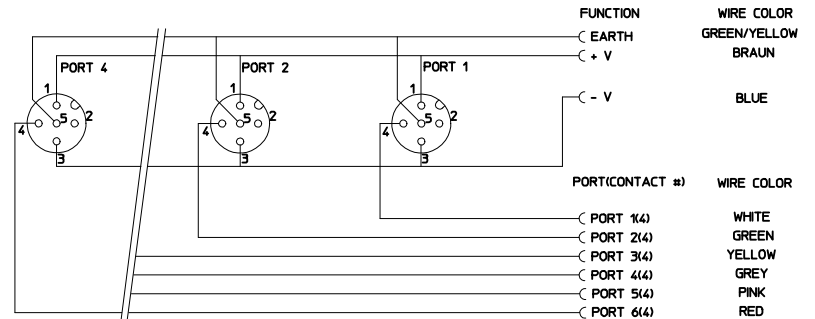
### WIRING DIAGRAM SINGLE PORT NPN



### WIRING DIAGRAM SINGLE PORT PNP



### WIRING DIAGRAM SINGLE PORT NON LED



<b>ENTER DESCRIPTION</b> EC NO: IPG2014-0267 DRW:ULETTEWMEIER 2013/09/24 CHKD:RSILLER 2013/09/25 APPR:CBURGER 2013/10/07	<b>QUALITY SYMBOLS</b> ▽=0 ◻=0	<b>GENERAL TOLERANCES (UNLESS SPECIFIED)</b>		<b>DIMENSION STYLE</b> MM ONLY	<b>SCALE</b> 1:1	<b>DESIGN UNITS</b> METRIC	THIRD ANGLE PROJECTION		
		4 PLACES ± --- ± ---	3 PLACES ± --- ± ---	DRAWN BY LSG	DATE 2011/08/18	<b>TITLE</b> MPIS M12 PNP NPN NOS 4P 6PT AC FE STR XM			
		2 PLACES ± 0.1 ± ---	1 PLACE ± 0.2 ± ---	CHECKED BY ZISMAYILOV	DATE 2011/12/14	molex			
		0 PLACE ± --- ± ---	ANGULAR ± 2 °	APPROVED BY CBURGER	DATE 2011/12/20	MATERIAL NO. SEE TABLE 2	DOCUMENT NO. SD-120005-013	SHEET NO. 2 OF 3	
<b>A3</b>	<b>REV</b>	DRAFT WHERE APPLICABLE MUST REMAIN WITHIN DIMENSIONS		THIS DRAWING CONTAINS INFORMATION THAT IS PROPRIETARY TO MOLEX INCORPORATED AND SHOULD NOT BE USED WITHOUT WRITTEN PERMISSION					

