



Chipsmall Limited consists of a professional team with an average of over 10 year of expertise in the distribution of electronic components. Based in Hongkong, we have already established firm and mutual-benefit business relationships with customers from,Europe,America and south Asia,supplying obsolete and hard-to-find components to meet their specific needs.

With the principle of “Quality Parts,Customers Priority,Honest Operation,and Considerate Service”,our business mainly focus on the distribution of electronic components. Line cards we deal with include Microchip,ALPS,ROHM,Xilinx,Pulse,ON,Everlight and Freescale. Main products comprise IC,Modules,Potentiometer,IC Socket,Relay,Connector.Our parts cover such applications as commercial,industrial, and automotives areas.

We are looking forward to setting up business relationship with you and hope to provide you with the best service and solution. Let us make a better world for our industry!



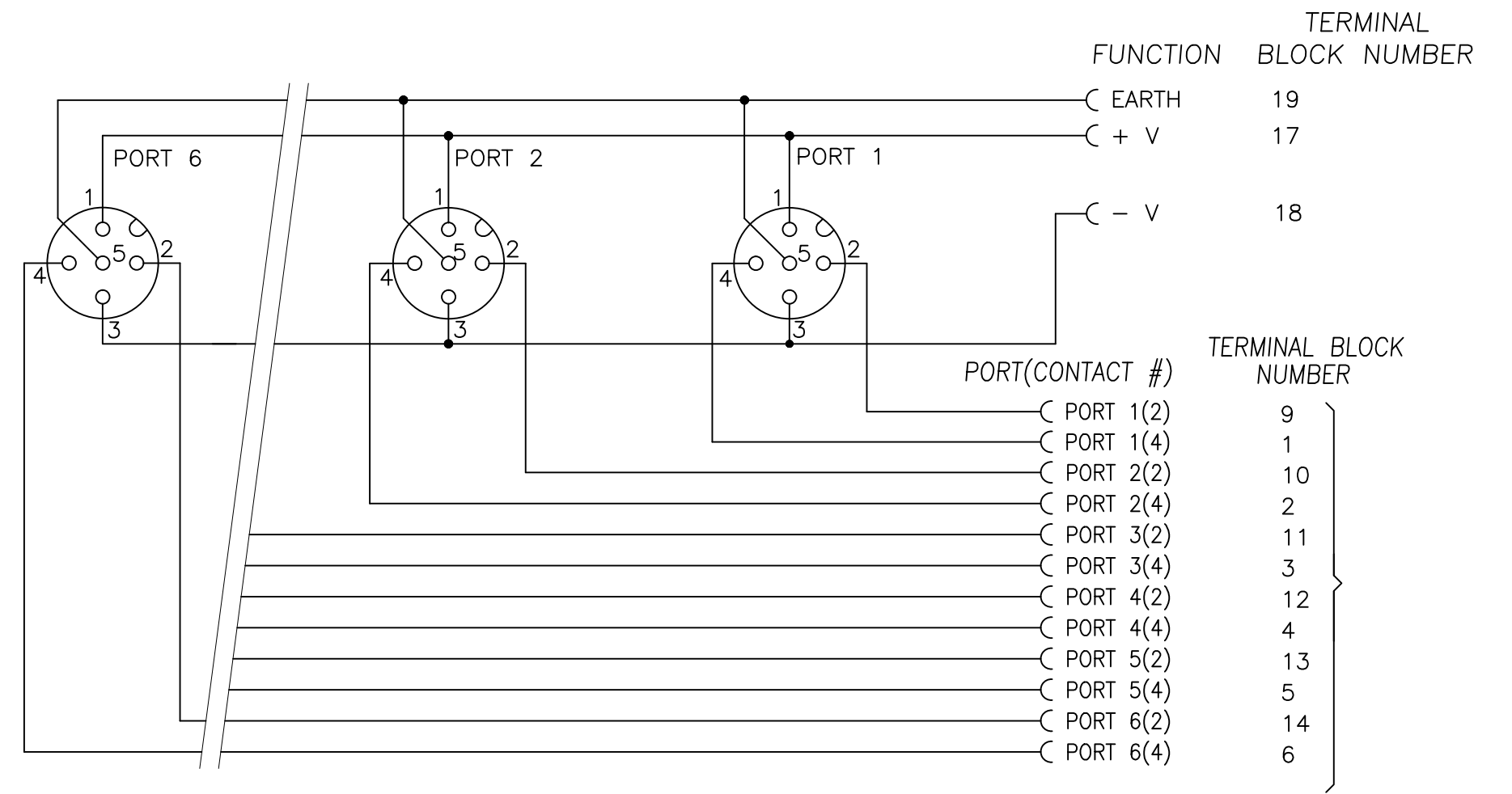
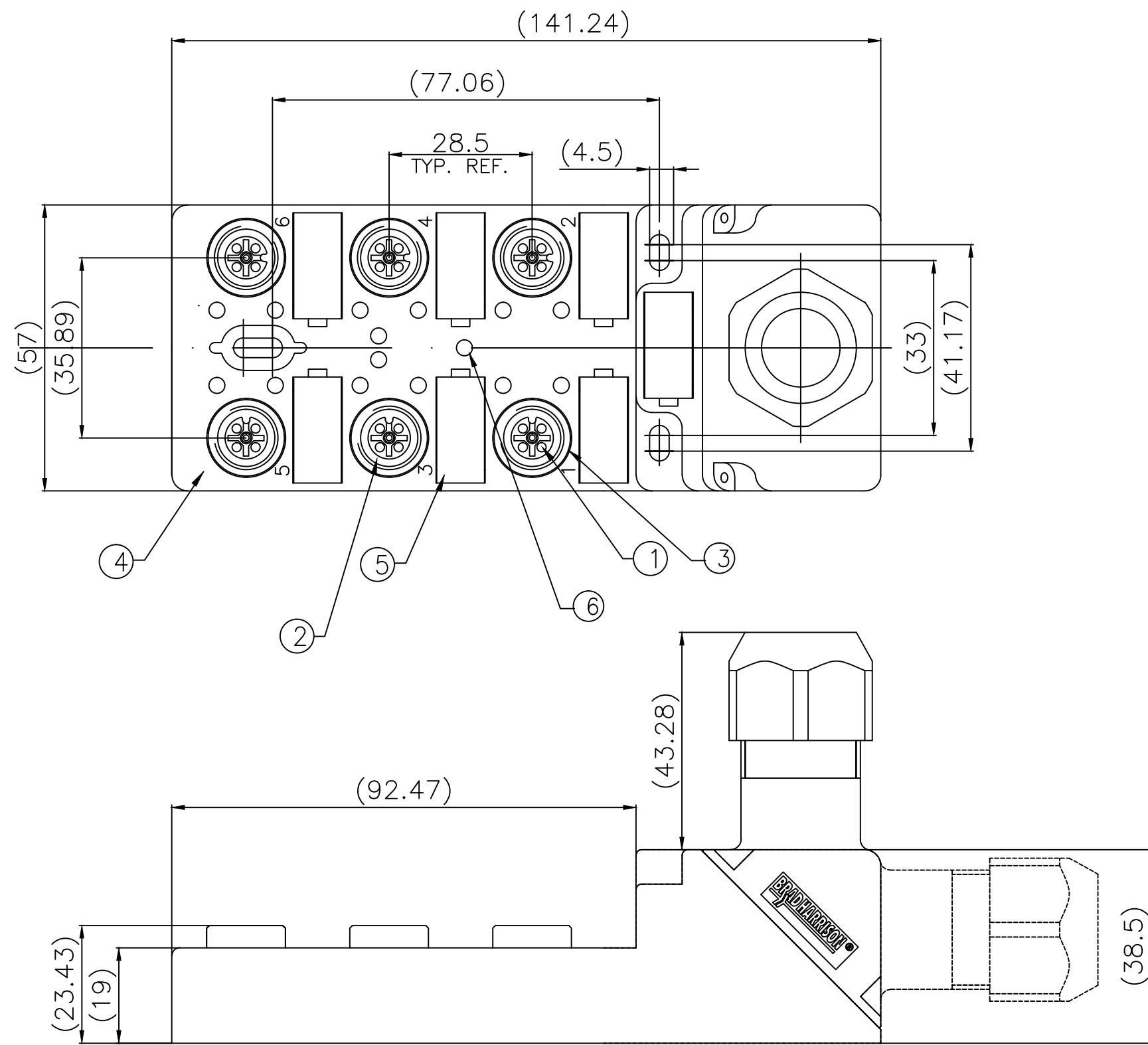
Contact us

Tel: +86-755-8981 8866 Fax: +86-755-8427 6832

Email & Skype: info@chipsmall.com Web: www.chipsmall.com

Address: A1208, Overseas Decoration Building, #122 Zhenhua RD., Futian, Shenzhen, China





MATERIAL NUMBER	OLD PART NUMBER	FINISHED LENGTH
1201140057	BTY6030-FBA	-

VOLTAGE RATING	10-30 VDC
AMPERAGE RATING PER PORT	4 AMPS
PROTECTION	IP67
OPERATING TEMPERATURE	-25°C TO 90°C
UL CERTIFICATIONS	UL RECOGNIZED, FILE NO. E46237
CSA CERTIFICATIONS	CSA CERTIFIED, FILE NO. LR6837

ITEM	COMPONENT	MATERIAL	FINISH
1	CONTACT SOCKET	COPPER ALLOY	GOLD OVER NICKEL
2	O-RING	VITON	RED
3	RECEPTACLE SHELL	BRASS	NICKEL PLATED
4	HOUSING	PBT	YELLOW
5	LABEL	ABS	WHITE
6	LENS	NYLON	CLEAR

ADDED BRK, REMVD SHORT EC NO: WEU2010-0463 DRWN: LHARTMAN 2012/01/25 CH'KD: TWOLDEGE APPR: JFMURPHY	QUALITY SYMBOL ▽=0 ▽=0	GENERAL TOLERANCES (UNLESS SPECIFIED) 4 PLACES ±--- mm ±--- INCH 3 PLACES ±--- mm ±--- INCH 2 PLACES ±--- mm ±0.1 INCH 1 PLACE ±0.3 mm ±--- INCH	DIMENSION STYLE MM ONLY	SCALE 1:25.4	DESIGN UNITS METRIC	THIRD ANGLE PROJECTION
	DRAWN BY: LHARTMAN DATE: 2012/01/25 CHECKED BY: FPACHER DATE: 2010/03/23 APPROVED BY: _____ DATE: _____	TITLE MICRO-CHANGE MPIS 6 PORT PNP TWIN PORT 5P FIELD ATTACHABLE	MATERIAL NO. SEE CHART	DOCUMENT NO. SD-120114-078	SHEET NO. 1 OF 1	
REV 2	DESCRIPTION ADDED BRK, REMVD SHORT	DRAFT WHERE APPLICABLE MUST REMAIN WITHIN DIMENSIONS	SIZE C	THIS DRAWING CONTAINS INFORMATION THAT IS PROPRIETARY TO MOLEX INCORPORATED AND SHOULD NOT BE USED WITHOUT WRITTEN PERMISSION		