



Chipsmall Limited consists of a professional team with an average of over 10 year of expertise in the distribution of electronic components. Based in Hongkong, we have already established firm and mutual-benefit business relationships with customers from,Europe,America and south Asia,supplying obsolete and hard-to-find components to meet their specific needs.

With the principle of “Quality Parts,Customers Priority,Honest Operation,and Considerate Service”,our business mainly focus on the distribution of electronic components. Line cards we deal with include Microchip,ALPS,ROHM,Xilinx,Pulse,ON,Everlight and Freescale. Main products comprise IC,Modules,Potentiometer,IC Socket,Relay,Connector.Our parts cover such applications as commercial,industrial, and automotives areas.

We are looking forward to setting up business relationship with you and hope to provide you with the best service and solution. Let us make a better world for our industry!



Contact us

Tel: +86-755-8981 8866 Fax: +86-755-8427 6832

Email & Skype: info@chipsmall.com Web: www.chipsmall.com

Address: A1208, Overseas Decoration Building, #122 Zhenhua RD., Futian, Shenzhen, China

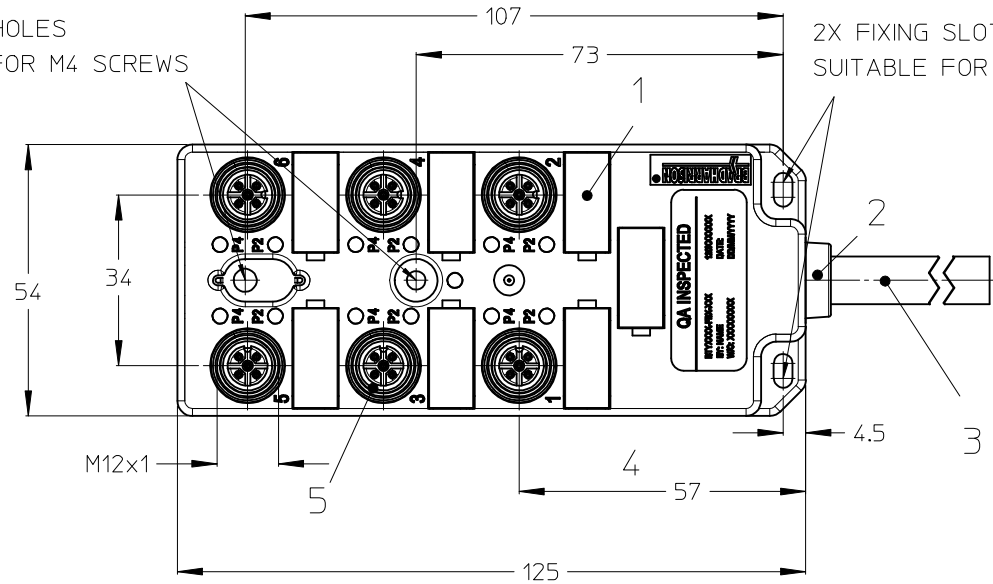


TABLE 1 BILL OF MATERIAL

ITEM	QTY	DESCRIPTION	MATERIAL	FINISH
1	7	LABEL	ABS	WHITE
2	1	CABLE PLATE	PBT	YELLOW
3	1	CABLE	SEE ENG. NO. MATRIX	SEE ENG. NO. MATRIX
4	30	CONTACT	BRASS	GOLD OVER NICKEL
5	6	O-RING	FPM	RED
6	6	SHELL	BRASS	NICKEL PLATET
7	13	LED	NON LED = PBT/ WITH LED = PA	NON LED=YELLOW/ WITH LED=TRANSPARENT
8	2	PROTECTING CAP	PP	BLACK
9	1	HOUSING	PBT	YELLOW

2X FIXING HOLES
SUITABLE FOR M4 SCREWS

2X FIXING SLOT HOLES
SUITABLE FOR M4 SCREWS

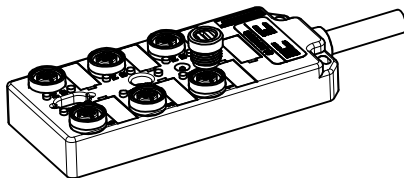
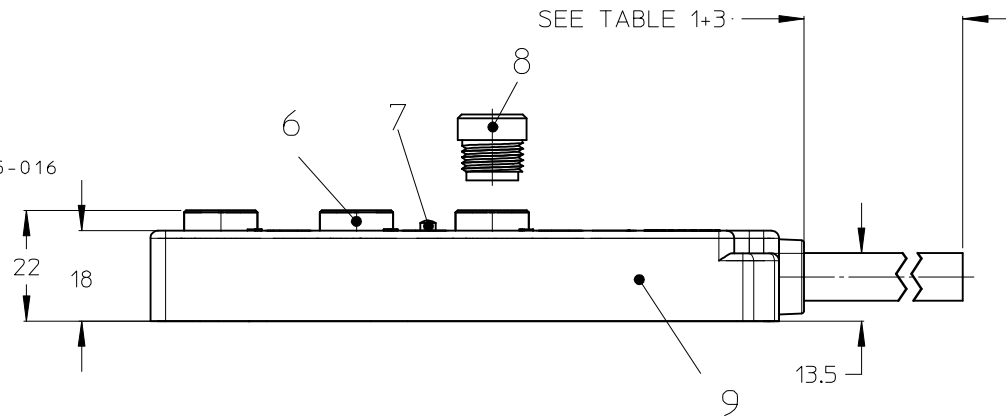


GENERAL CHARACTERISTICS

NOMINAL VOLTAGE: 10-30 V DC
 POLLUTION DEGREE: 3
 RATED CURRENT: 4 A PER PORT / 12 A MAX: TOTAL
 CONTACT RESISTANCE: ≤ 5 mOHM
 ISULATION RESISTANCE: > 10⁹ OHM
 IP DEGREE OF PROTECTION: IP 67
 IP 68 REFER TO TEST SUMMARY TS-120005-016

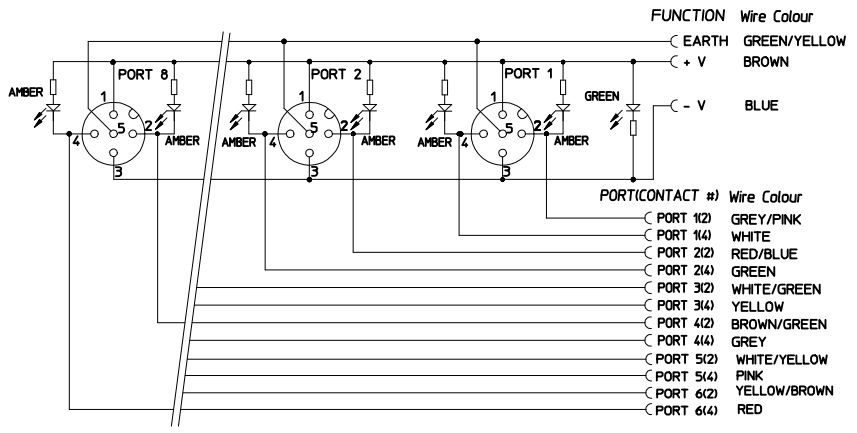
TEMPERATURE RANGE: -25°C to + 85°C
 (BOX ONLY)

FLAMMABILITY:
 Insert: V0
 HOUSING: V0
 POTTING MATERIAL: V0

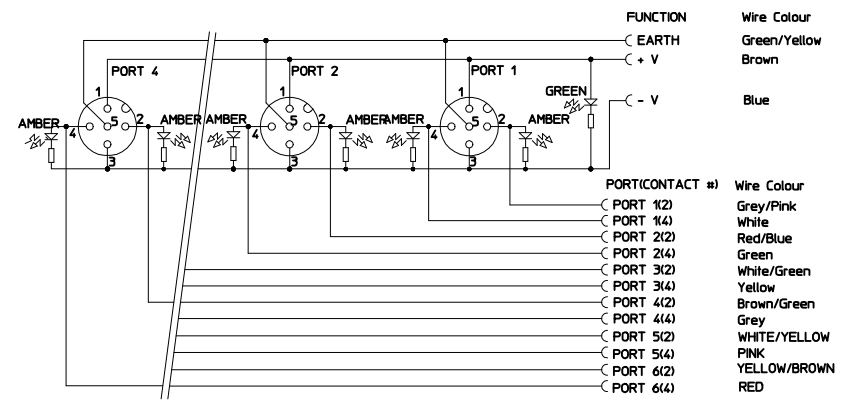


ENTER DESCRIPTION EC NO: IPG2014-0267 DRW:ULETTEMEIER 2013/09/24 CHKD:PSILLER 2013/09/25 APPR:CBURGER 2013/10/07	QUALITY SYMBOLS ▽=0 ◻=0	GENERAL TOLERANCES (UNLESS SPECIFIED)		DIMENSION STYLE MM ONLY	SCALE 1:1	DESIGN UNITS METRIC	THIRD ANGLE PROJECTION	
		4 PLACES ± --- ± ---	mm INCH	DRAWN BY DATE ULETTEMEIER 2013/06/27	TITLE MPIS M12 PNP NPN NOS 5P 6PT AC FE STR XM			
		3 PLACES ± --- ± ---		CHECKED BY DATE PSILLER 2013/07/10				
		2 PLACES ± 0.05 ± ---		APPROVED BY DATE CBURGER 2013/07/17				
		1 PLACE ± 0.10 ± ---		MATERIAL NO. SEE TABLE 2	DOCUMENT NO. SD-120114-092		SHEET NO. 1 OF 3	
		0 PLACE ± --- ± ---		SIZE A3	THIS DRAWING CONTAINS INFORMATION THAT IS PROPRIETARY TO MOLEX INCORPORATED AND SHOULD NOT BE USED WITHOUT WRITTEN PERMISSION			
DRAFT WHERE APPLICABLE MUST REMAIN WITHIN DIMENSIONS								

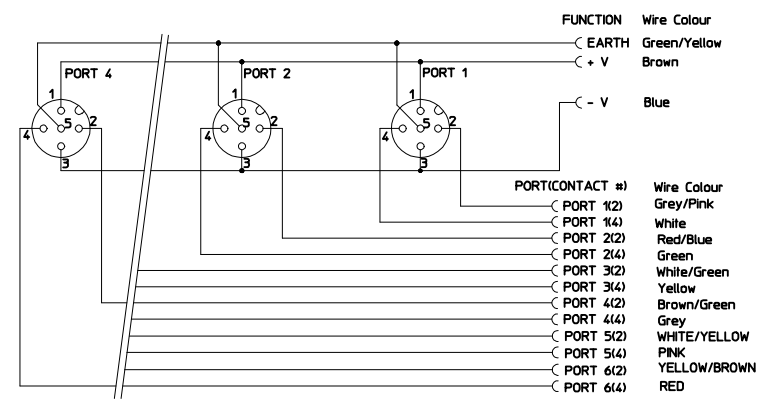
WIRING DIAGRAM DUAL PORT NPN



WIRING DIAGRAM DUAL PORT PNP



WIRING DIAGRAM DUAL PORT NON LED



ENTER DESCRIPTION EC NO: IPG2014-0267 DRW: ULETENMEIER 2013/09/24 CHK: DRSILLER 2013/09/25 APPR: CBURGER 2013/10/07	QUALITY SYMBOLS 	GENERAL TOLERANCES (UNLESS SPECIFIED)		DIMENSION STYLE MM ONLY	SCALE 1:1	DESIGN UNITS METRIC	THIRD ANGLE PROJECTION		
		4 PLACES ± --- ± --- 3 PLACES ± --- ± --- 2 PLACES ± 0.05 ± --- 1 PLACE ± 0.10 ± --- 0 PLACE ± --- ± ---	mm INCH ± --- ± --- ± 0.05 ± --- ± 0.10 ± --- ± --- ± ---	DRAWN BY DATE ULETENMEIER 2013/06/27	CHECKED BY DATE RSILLER 2013/07/10	TITLE MPIS M12 PNP NPN NOS 5P 6PT AC FE STR XM			
		ANGULAR ± .5 °		APPROVED BY DATE CBURGER 2013/07/17	MATERIAL NO. SEE TABLE 2	DOCUMENT NO. SD-120114-092			
		DRAFT WHERE APPLICABLE MUST REMAIN WITHIN DIMENSIONS		SIZE A 3	THIS DRAWING CONTAINS INFORMATION THAT IS PROPRIETARY TO MOLEX INCORPORATED AND SHOULD NOT BE USED WITHOUT WRITTEN PERMISSION				SHEET NO. 2 OF 3

