



Chipsmall Limited consists of a professional team with an average of over 10 year of expertise in the distribution of electronic components. Based in Hongkong, we have already established firm and mutual-benefit business relationships with customers from,Europe,America and south Asia,supplying obsolete and hard-to-find components to meet their specific needs.

With the principle of “Quality Parts,Customers Priority,Honest Operation,and Considerate Service”,our business mainly focus on the distribution of electronic components. Line cards we deal with include Microchip,ALPS,ROHM,Xilinx,Pulse,ON,Everlight and Freescale. Main products comprise IC,Modules,Potentiometer,IC Socket,Relay,Connector.Our parts cover such applications as commercial,industrial, and automotives areas.

We are looking forward to setting up business relationship with you and hope to provide you with the best service and solution. Let us make a better world for our industry!



Contact us

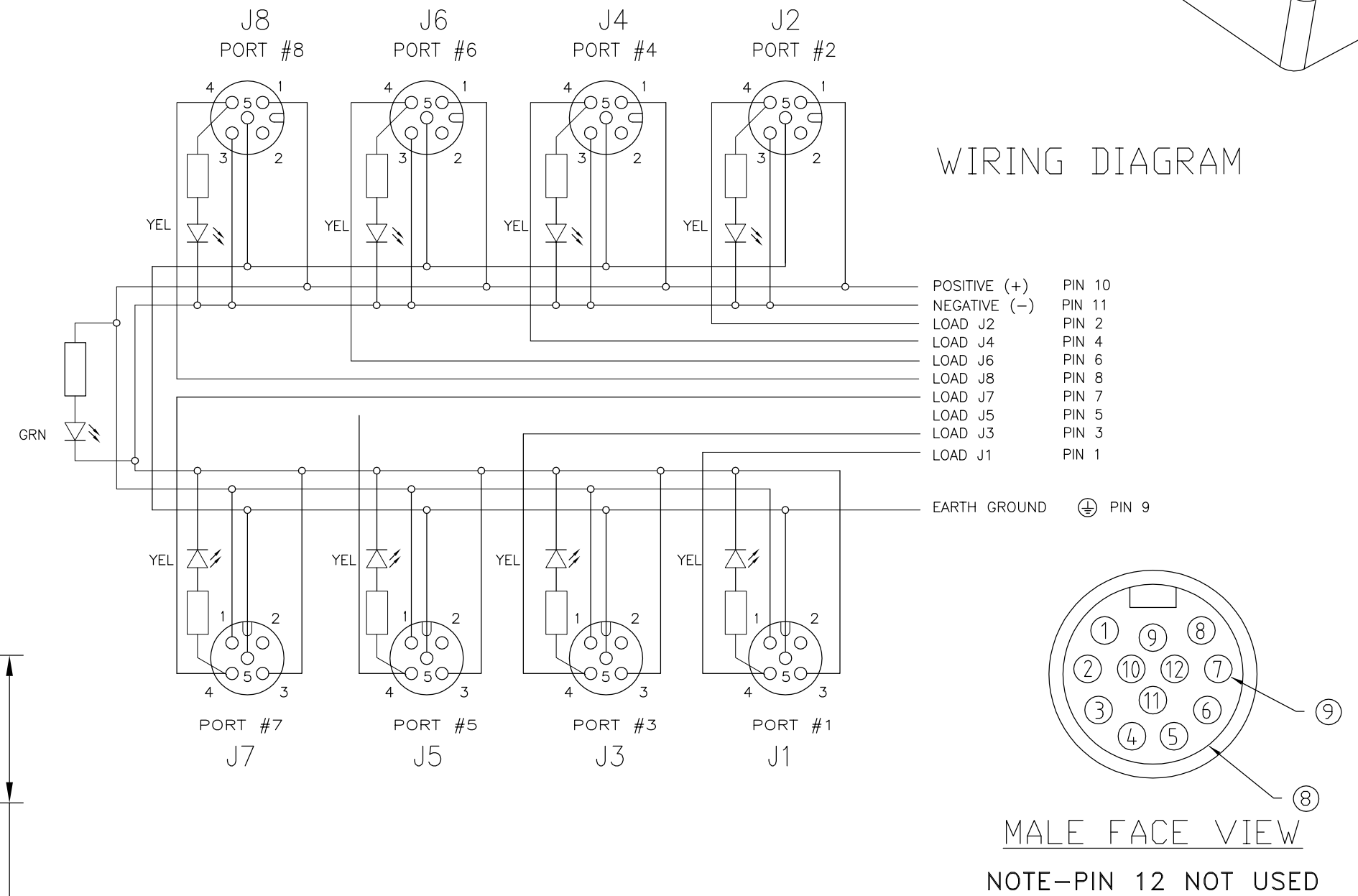
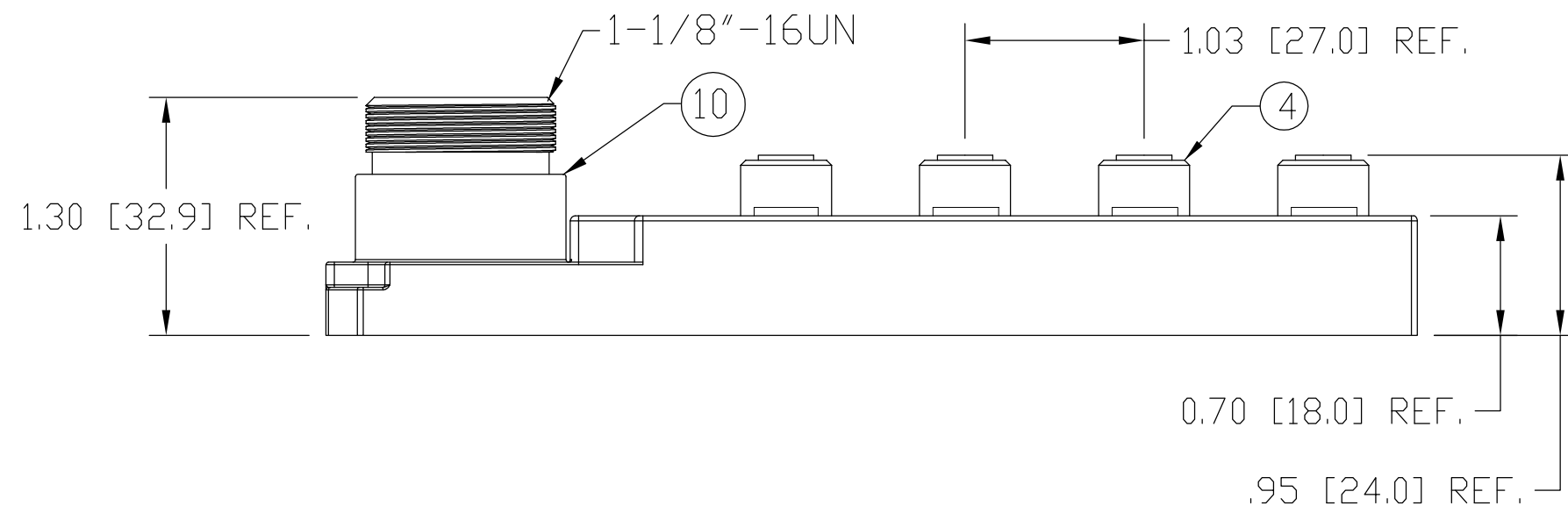
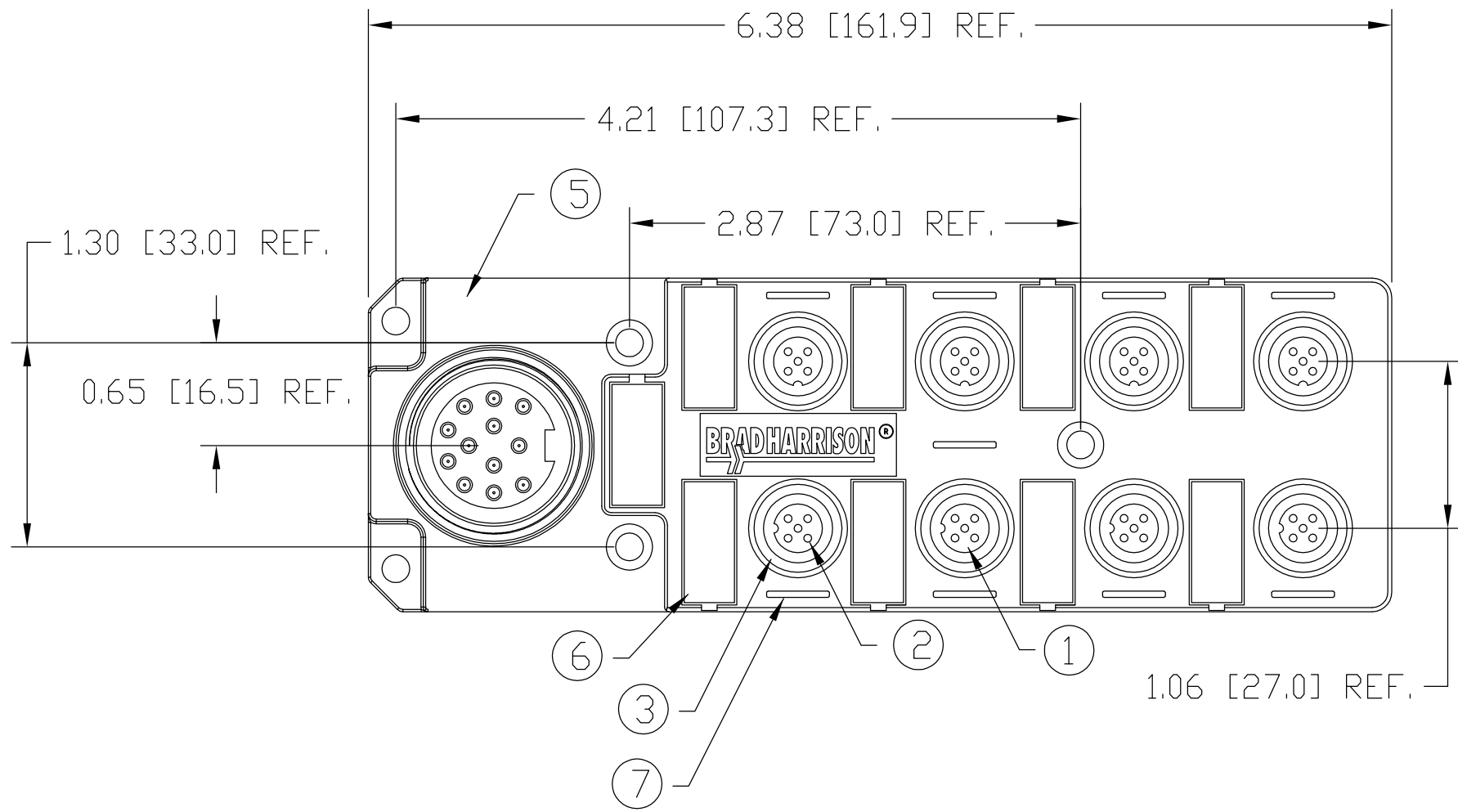
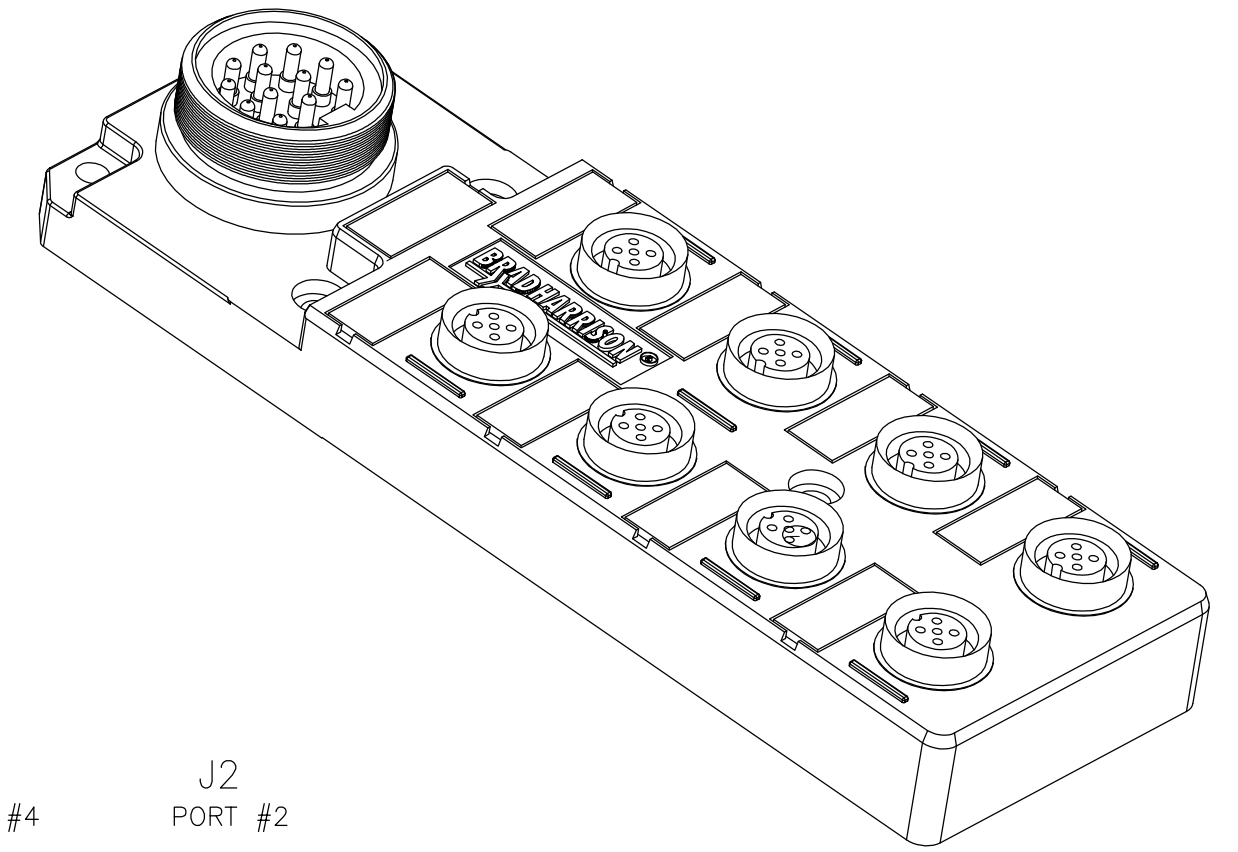
Tel: +86-755-8981 8866 Fax: +86-755-8427 6832

Email & Skype: info@chipsmall.com Web: www.chipsmall.com

Address: A1208, Overseas Decoration Building, #122 Zhenhua RD., Futian, Shenzhen, China



13	12	11	10	9	8	7	6	5	4	3	2	1
MATERIAL NUMBER	OLD PART NUMBER											
120114-0065	BTY801P-FBB											



VOLTAGE RATING	10-30 VDC
AMPERAGE RATING PER PORT	4 AMPS
PROTECTION	IP67
OPERATING TEMPERATURE	-20°C TO 90°C
UL CERTIFICATIONS	UL RECOGNIZED, FILE NO. E46237
CSA CERTIFICATIONS	CSA CERTIFIED, FILE NO. LR6837

ITEM	COMPONENT	MATERIAL	FINISH
1	INSERT	NYLON	BLACK
2	CONTACT SOCKET	COPPER ALLOY	GOLD OVER NICKEL
3	O-RING	NITRILE	RED
4	RECEPTACLE SHELL	BRASS	NICKEL PLATED
5	HOUSING	PBT	YELLOW
6	LABEL	ABS	WHITE
7	LENS	NYLON	CLEAR
8	INSERT	PVC	YELLOW
9	CONTACT PIN	COPPER ALLOY	GOLD OVER NICKEL
10	RECEPTACLE SHELL	BRASS	NICKEL PLATED

RELEASED DRAWING EC NO: WEU2010-0067 DRWN: LHARTMAN 8/25/09 CH'KD: BWOODMAN2009/08/27 APPR: JFMURPHY 2009/08/28	QUALITY SYMBOL ▽=0 ▽=0	GENERAL TOLERANCES (UNLESS SPECIFIED)		DIMENSION STYLE IN/MM		SCALE NTS	DESIGN UNITS INCH	THIRD ANGLE PROJECTION		
		4 PLACES	mm	INCH	DRAWN BY LHARTMAN	DATE 2009/08/25	MICRO-CHANGE MPIS 8 PORT TOP MOUNT PNP MINI 12 POLE MALE MOLEX INCORPORATED			
		3 PLACES	mm	INCH	CHECKED BY BWOODMAN	DATE 2009/08/27				
		2 PLACES	mm	INCH	APPROVED BY JFMURPHY	DATE 2009/08/27				
1 PLACE	mm	INCH	MATERIAL NO. SEE CHART		DOCUMENT NO. SD-120114-010	SHEET NO. 1 OF 1				
DRAFT WHERE APPLICABLE MUST REMAIN WITHIN DIMENSIONS		ANGULAR ±---°		SIZE C		THIS DRAWING CONTAINS INFORMATION THAT IS PROPRIETARY TO MOLEX INCORPORATED AND SHOULD NOT BE USED WITHOUT WRITTEN PERMISSION				