



Chipsmall Limited consists of a professional team with an average of over 10 year of expertise in the distribution of electronic components. Based in Hongkong, we have already established firm and mutual-benefit business relationships with customers from,Europe,America and south Asia,supplying obsolete and hard-to-find components to meet their specific needs.

With the principle of "Quality Parts,Customers Priority,Honest Operation,and Considerate Service",our business mainly focus on the distribution of electronic components. Line cards we deal with include Microchip,ALPS,ROHM,Xilinx,Pulse,ON,Everlight and Freescale. Main products comprise IC,Modules,Potentiometer,IC Socket,Relay,Connector.Our parts cover such applications as commercial,industrial, and automotives areas.

We are looking forward to setting up business relationship with you and hope to provide you with the best service and solution. Let us make a better world for our industry!



Contact us

Tel: +86-755-8981 8866 Fax: +86-755-8427 6832

Email & Skype: info@chipsmall.com Web: www.chipsmall.com

Address: A1208, Overseas Decoration Building, #122 Zhenhua RD., Futian, Shenzhen, China

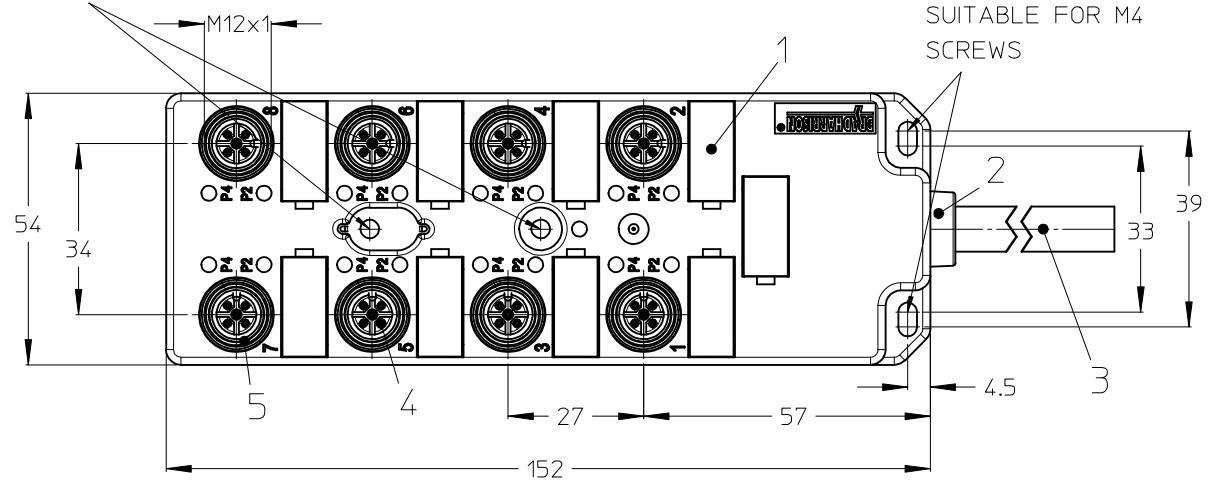


TABLE 1 BILL OF MATERIAL

| ITEM | QTY | DESCRIPTION | MATERIAL | FINISH |
|------|-----|----------------|---------------------------------|---|
| 1 | 9 | LABEL | ABS | WHITE |
| 2 | 1 | CABLE PLATE | PBT | YELLOW |
| 3 | 1 | CABLE | SEE ENG. NO. MATRIX | SEE ENG. NO. MATRIX |
| 4 | 40 | CONTACT | BRASS | GOLD OVER NICKEL |
| 5 | 8 | O-RING | FPM | RED |
| 6 | 8 | SHELL | BRASS | NICKEL PLATED |
| 7 | 17 | LED | NON LED = PBT/ WITH LED = PA | NON LED=YELLOW/ WITH LED=TRANSPARENT |
| 8 | 2 | PROTECTING CAP | PP | BLACK |
| 9 | 1 | HOUSING | PBT | YELLOW |

2X FIXING HOLES
SUITABLE FOR M4 SCREWS

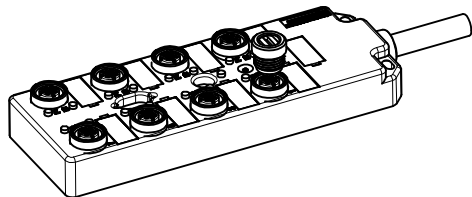
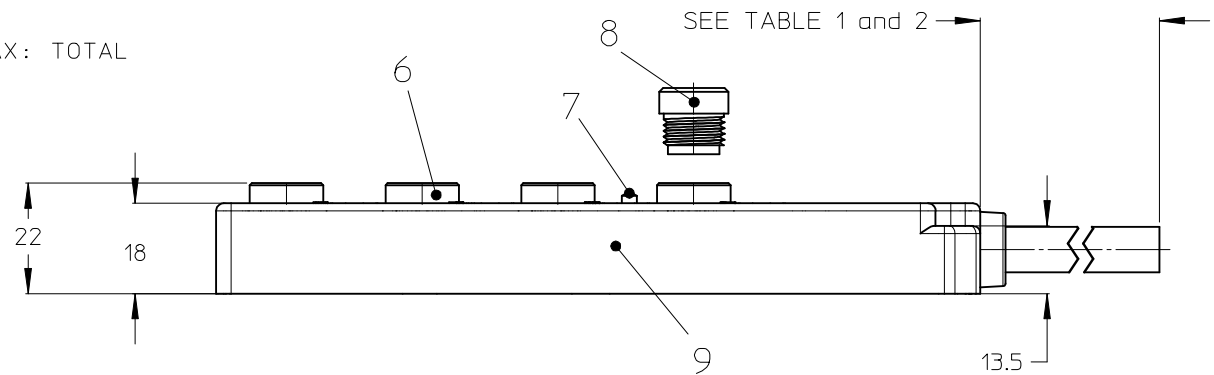
2X FIXING SLOT HOLES
SUITABLE FOR M4
SCREWS



GENERAL CHARACTERISTICS:

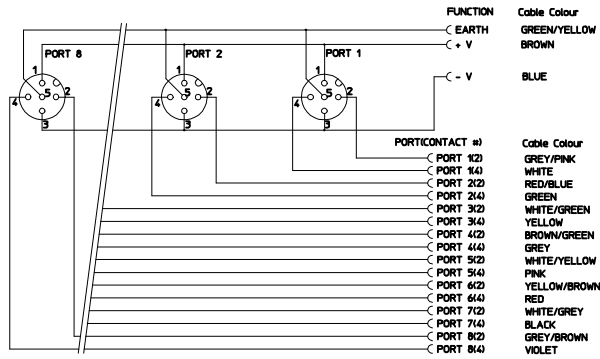
ELECTRICAL AND MECHANICAL DATA ACC. TO IEC 61076-2-101

- NOMINAL VOLTAGE: 24 V DC
- RATED CURRENT: 4 A PER PORT / 12 A MAX: TOTAL
- CONTACT RESISTANCE: ≤ 5 mOHM
- INSULATION RESISTANCE: > 10⁹ OHM
- IP DEGREE OF PROTECTION: IP 67
- TEMPERATURE RANGE: -25°C to + 85°C

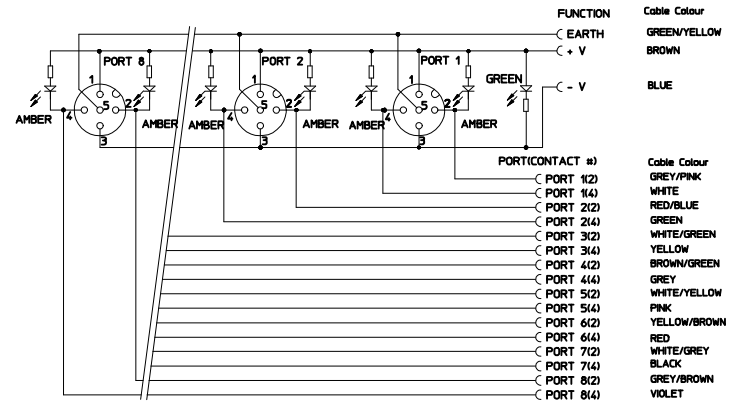


| | | | | | | |
|--|--|--|--|--|--|--|
| ENTER DESCRIPTION EC NO: IPG2014-0267 DRW:ULETTEMEIER2013/09/24 CHK:RSILLER 2013/09/25 APPR:CBURGER 2013/10/07 | QUALITY SYMBOLS ▽=0 ▽=0 | GENERAL TOLERANCES (UNLESS SPECIFIED) mm INCH 4 PLACES ± --- ± --- 3 PLACES ± --- ± --- 2 PLACES ± 0.05 ± --- 1 PLACE ± 0.10 ± --- 0 PLACE ± --- ± --- ANGULAR ± .5 ° | DIMENSION STYLE MM ONLY DRAWN BY DATE ULETTEMEIER 2013/07/04 CHECKED BY DATE RSILLER 2013/07/10 APPROVED BY DATE CBURGER 2013/07/17 | SCALE 1:1 DESIGN UNITS METRIC THIRD ANGLE PROJECTION | TITLE MPIS M12 PNP NPN NOS 5P 8PT AC FE STR XM | |
| | DRAFT WHERE APPLICABLE MUST REMAIN WITHIN DIMENSIONS | MATERIAL NO. SEE TABLE 2 | DOCUMENT NO. SD-120114-003 | SHEET NO. 1 OF 3 | | |
| | THIS DRAWING CONTAINS INFORMATION THAT IS PROPRIETARY TO MOLEX INCORPORATED AND SHOULD NOT BE USED WITHOUT WRITTEN PERMISSION | | | | | |
| | REV B1 | | | | | |

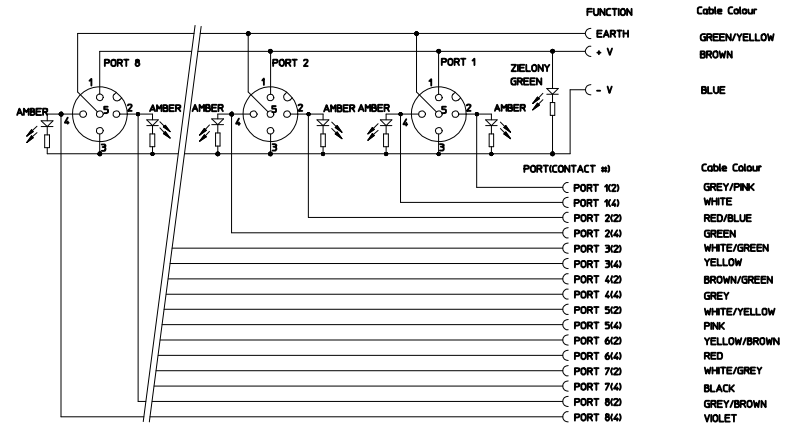
WIRING DIAGRAM NON LED



WIRING DIAGRAM NPN



WIRING DIAGRAM PNP



| | | | | | | | | | | |
|---|--------------------------------------|--|---|-----------------------------------|-----------------------------|------------------------------------|------------------------|--|--|--|
| ENTER DESCRIPTION EC NO: IPGZ014-0267 DRW:ULETTEMEIER 2013/09/24 CHKD:RSILLER 2013/09/25 APPR:CBURGER 2013/10/07 | QUALITY SYMBOLS ▽=0 □=0 | GENERAL TOLERANCES (UNLESS SPECIFIED) | | DIMENSION STYLE MM ONLY | | SCALE 1:1 | DESIGN UNITS METRIC | THIRD ANGLE PROJECTION | | |
| | | 4 PLACES ± --- ± --- | 3 PLACES ± --- ± --- | mm | INCH | DRAWN BY ULETTEMEIER 2013/07/04 | DATE 2013/07/04 | TITLE MPIS M12 PNP NPN NOS 5P 8PT AC FE STR XM | | |
| | | 2 PLACES ± 0.05 ± --- | 1 PLACE ± 0.10 ± --- | ANGULAR ± .5 ° | | CHECKED BY RSILLER 2013/07/10 | DATE 2013/07/10 | DOCUMENT NO. SD-120114-003 | | |
| | | 0 PLACE ± --- ± --- | DRAFT WHERE APPLICABLE MUST REMAIN WITHIN DIMENSIONS | | MATERIAL NO. SEE TABLE 2 | APPROVED BY CBURGER 2013/07/17 | DATE 2013/07/17 | SHEET NO. 2 OF 3 | | |

TABLE 2

| MOLEX P/N | ENG. NR. | LED |
|------------|------------------|-----|
| 1201140092 | BTY8050-FBP-05 | NO |
| 1201140093 | BTY8050-FBP-10 | NO |
| 1200550592 | BTY8050-FBP-15 | NO |
| 1201140202 | BTY805N-FBP-05 | YES |
| 1200550691 | BTY805N-FBP-10 | YES |
| 1201140089 | BTY805P-FBP-05 | YES |
| 1200550832 | BTY805P-FBP-05-1 | YES |
| 1201140090 | BTY805P-FBP-10 | YES |
| 1200550864 | BTY805P-FBP-10-1 | YES |
| 1201140091 | BTY805P-FBP-15 | YES |
| 1201148030 | BTY805P-FBP-15-1 | YES |
| 1200550401 | BTY805P-FBP-20 | YES |
| 1201148037 | BTY805P-FBP-20-1 | YES |
| 1200550633 | BTY805P-FBP-30 | YES |

ENG. NO. MATRIX:

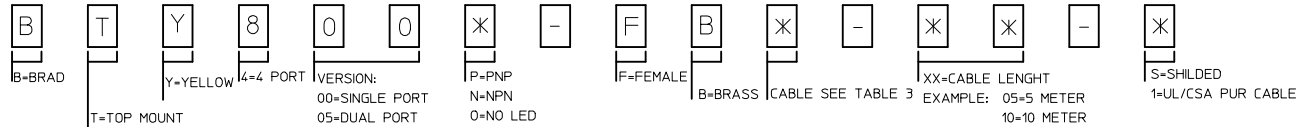


TABLE 3

| CABLE | TEM. RANGE STATISCH | TEM. RANGE FLEXIBLE | CABLE DIAMETER (MM) SIGLE (4POLE) 4/6/8 PORT | CABLE DIAMETER (MM) DUAL (5POLE) 4/6/8 PORT | DRAG CHAIN | UL STYLE |
|------------------------|---------------------|---------------------|--|---|-----------------|----------|
| P=PUR/PVC/Black | -30°C TO +90°C | -5°C TO +90°C | 8.4 ±0.2 / 9.5±0.2 / 9.5 ±0.2 | 9.5 ±0.2 / 9.8 ±0.2 / 11.4 ±0.2 | 1.5 MIO. CYCLES | - |
| P=PUR/PVC/Black/UL/CSA | -25°C TO +90°C | - | 7.5 ± 0.2 | 8.6 ± 0.2 | - | - |
| N=PVC/GREY | - | -10°C TO +80°C | 8.4 ± 0.2 | 9.5 ± 0.2 | 10 MIO. CYCLES | 2464 |
| I=CEI/GREY | -5°C TO +70°C | - | 8.4 ± 0.2 | 9.5 ± 0.2 | - | - |
| E=PVC/YELLOW | -5°C TO +70°C | - | 8.4 ± 0.2 | 9.5 ± 0.2 | - | - |

| | | | | | | | | |
|---|---|--|---|--|--|-----------------------------|-------------------------------|---------------------|
| ENTER DESCRIPTION EC NO: IPG2014-0267 DRWN: JULETTE/NER 2013/09/24 CHKD: RSILLER 2013/09/25 APPR: CBURGER 2013/10/07 REV: B1 | QUALITY SYMBOLS ▽=0 ▽=0 | GENERAL TOLERANCES (UNLESS SPECIFIED) mm INCH 4 PLACES ± --- ± --- 3 PLACES ± --- ± --- 2 PLACES ± 0.05 ± --- 1 PLACE ± 0.10 ± --- 0 PLACE ± --- ± --- ANGULAR ± .5 ° DRAFT WHERE APPLICABLE MUST REMAIN WITHIN DIMENSIONS | DIMENSION STYLE MM ONLY DRAWN BY DATE ULETTENMEIER 2013/07/04 CHECKED BY DATE RSILLER 2013/07/10 APPROVED BY DATE CBURGER 2013/07/17 | SCALE 1:1 DESIGN UNITS METRIC FIRST ANGLE PROJECTION | TITLE MPIS M12 PNP NPN NOS 5P 8PT AC FE STR XM | MATERIAL NO. SEE TABLE 2 | DOCUMENT NO. SD-120114-003 | SHEET NO. 3 OF 3 |
| | <p style="text-align: center;">molex</p> | | | | | | | |
| | THIS DRAWING CONTAINS INFORMATION THAT IS PROPRIETARY TO MOLEX INCORPORATED AND SHOULD NOT BE USED WITHOUT WRITTEN PERMISSION | | | | | | | |
| | SIZE A 2 | | | | | | | |