



Chipsmall Limited consists of a professional team with an average of over 10 year of expertise in the distribution of electronic components. Based in Hongkong, we have already established firm and mutual-benefit business relationships with customers from,Europe,America and south Asia,supplying obsolete and hard-to-find components to meet their specific needs.

With the principle of “Quality Parts,Customers Priority,Honest Operation,and Considerate Service”,our business mainly focus on the distribution of electronic components. Line cards we deal with include Microchip,ALPS,ROHM,Xilinx,Pulse,ON,Everlight and Freescale. Main products comprise IC,Modules,Potentiometer,IC Socket,Relay,Connector.Our parts cover such applications as commercial,industrial, and automotives areas.

We are looking forward to setting up business relationship with you and hope to provide you with the best service and solution. Let us make a better world for our industry!



Contact us

Tel: +86-755-8981 8866 Fax: +86-755-8427 6832

Email & Skype: info@chipsmall.com Web: www.chipsmall.com

Address: A1208, Overseas Decoration Building, #122 Zhenhua RD., Futian, Shenzhen, China



TABLE 1 BILL OF MATERIAL

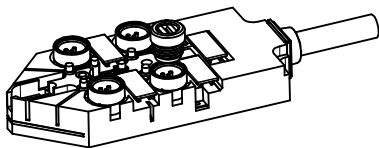
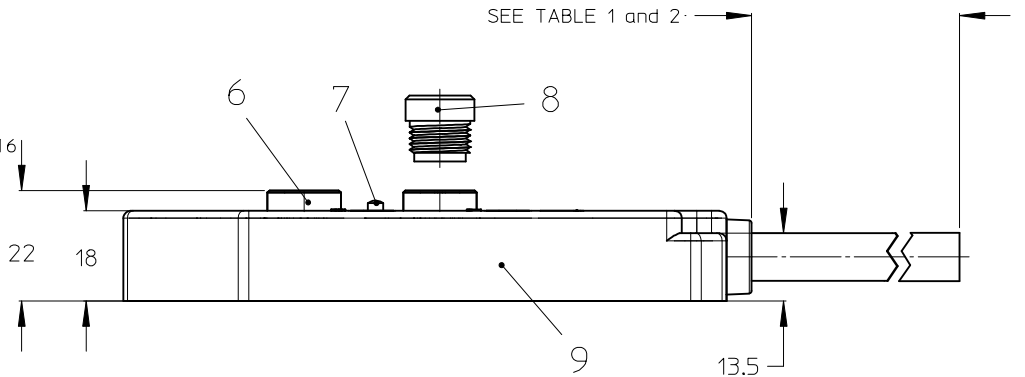
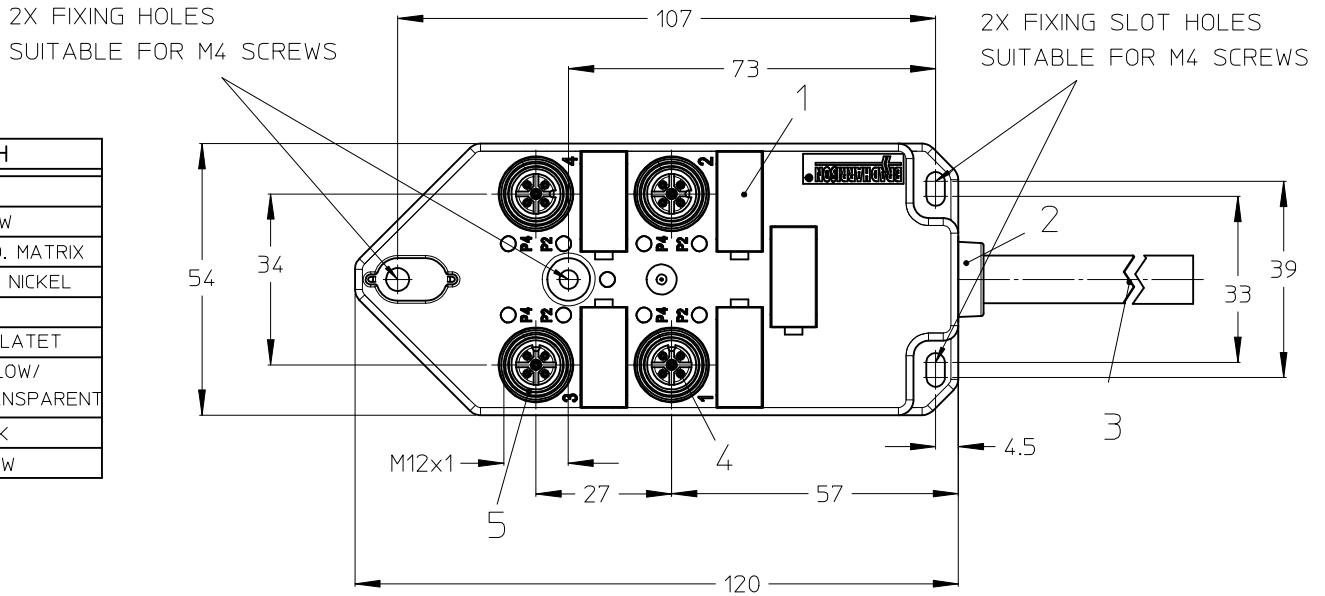
ITEM	QTY	DESCRIPTION	MATERIAL	FINISH
1	5	LABEL	ABS	WHITE
2	1	CABLE PLATE	PBT	YELLOW
3	1	CABLE	SEE ENG. NO. MATRIX	SEE ENG. NO. MATRIX
4	20	CONTACT	BRASS	GOLD OVER NICKEL
5	4	O-RING	FPM	RED
6	4	SHELL	BRASS	NICKEL PLATET
7	9	LED	NON LED = PBT/ WITH LED = PA	NON LED=YELLOW/ WITH LED=TRANSPARENT
8	2	PROTECTING CAP	PP	BLACK
9	1	HOUSING	PBT	YELLOW

GENERAL CHARACTERISTICS

NOMINAL VOLTAGE: 10-30 V DC
 POLUTION DEGREE: 3
 RATED CURRENT: 4 A PER PORT / 12 A MAX: TOTAL
 CONTACT RESISTANCE: ≤ 5 mOHM
 ISULATION RESISTANCE: > 10⁹ OHM
 IP DEGREE OF PROTECTION: IP 67
 IP 68 REFER TO TEST SUMMARY TS-120005-016

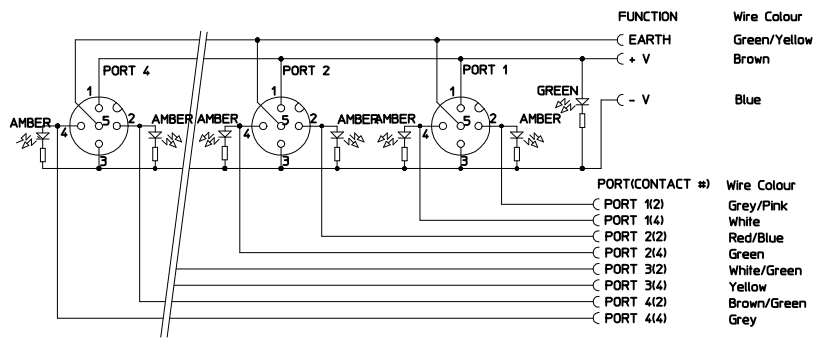
TEMPERATURE RANGE: -25°C to + 85°C
 (BOX ONLY)

FLAMMABYLITY:
 Insert: V0
 HOUSING: V0
 POTTING MATERIAL: V0

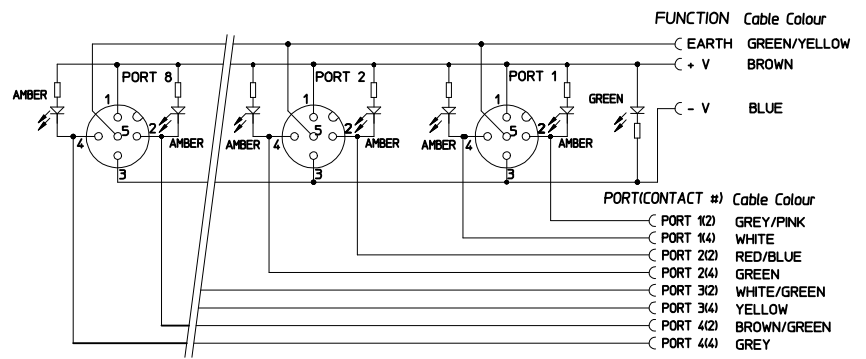


ENTER DESCRIPTION EC NO: IFG2014-0267 DRW:ULETTEMEIER 2013/09/24 CHK:RSILLER 2013/09/25 APPR:CBURGER 2013/10/07	QUALITY SYMBOLS ▽=0 ▽=0	GENERAL TOLERANCES (UNLESS SPECIFIED) mm INCH 4 PLACES ± --- ± --- 3 PLACES ± --- ± --- 2 PLACES ± 0.05 ± --- 1 PLACE ± 0.10 ± --- 0 PLACE ± --- ± --- ANGULAR ± .5 ° DRAFT WHERE APPLICABLE MUST REMAIN WITHIN DIMENSIONS	DIMENSION STYLE MM ONLY DRAWN BY: ULETTEMEIER 2013/07/02 CHECKED BY: RSILLER 2013/07/10 APPROVED BY: CBURGER 2013/07/17	SCALE 1:1 DESIGN UNITS METRIC THIRD ANGLE PROJECTION	TITLE MPIS M12 PNP NPN NOS 5P 4PT AC FE STR XM
	MATERIAL NO. SEE TABLE 2	DOCUMENT NO. SD-120114-093	SHEET NO. 1 OF 3		
	THIS DRAWING CONTAINS INFORMATION THAT IS PROPRIETARY TO MOLEX INCORPORATED AND SHOULD NOT BE USED WITHOUT WRITTEN PERMISSION				
	molex				

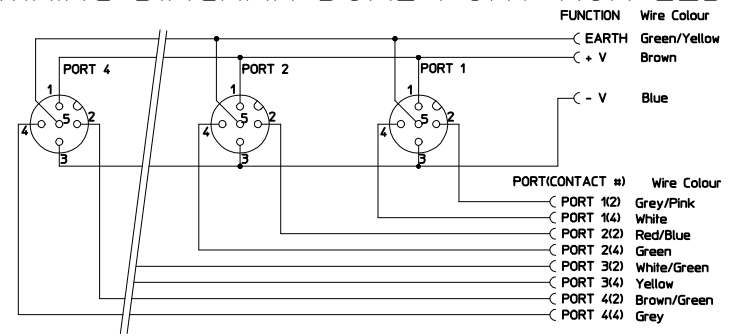
WIRING DIAGRAM DUAL PORT PNP



WIRING DIAGRAM DUAL PORT NPN



WIRING DIAGRAM DUAL PORT NON LED



ENTER DESCRIPTION EC NO: IPG2014-0267 DRW:ULETTEMEIER 2013/09/24 CHY:KDRSILLER 2013/09/25 APPR:CBURGER 2013/10/07	QUALITY SYMBOLS ▽=0 ▽=0	GENERAL TOLERANCES (UNLESS SPECIFIED)		DIMENSION STYLE MM ONLY	SCALE 1:1	DESIGN UNITS METRIC	THIRD ANGLE PROJECTION
		4 PLACES ± --- ± --- 3 PLACES ± --- ± --- 2 PLACES ± 0.05 ± --- 1 PLACE ± 0.10 ± --- 0 PLACE ± --- ± ---	mm INCH DRAWN BY DATE ULETTEMEIER 2013/07/02 CHECKED BY DATE RSILLER 2013/07/10 APPROVED BY DATE CBURGER 2013/07/17	TITLE MPIS M12 PNP NPN NOS 5P 4PT AC FE STR XM			
		ANGULAR ± .5 ° DRAFT WHERE APPLICABLE MUST REMAIN WITHIN DIMENSIONS		MATERIAL NO. SEE TABLE 2	DOCUMENT NO. SD-120114-093	SHEET NO. 2 OF 3	
		THIS DRAWING CONTAINS INFORMATION THAT IS PROPRIETARY TO MOLEX INCORPORATED AND SHOULD NOT BE USED WITHOUT WRITTEN PERMISSION					

TABLE 2

MOLEX P/N	ENG. NO.	LED
1200550604	BTY405P-FBE-10	YES
1200550671	BTY405P-FBI-10	YES
1200550696	BTY405P-FBI-15	YES
1200550737	BTY405P-FBE-20	YES
1200550911	BTY405P-FBP-30	YES
1201140037	BTY405N-FBP-05	YES
1201140038	BTY405N-FBP-10	YES
1201140039	BTY405P-FBP-05	YES
1201140040	BTY405P-FBP-10	YES
1201140041	BTY405P-FBP-15	YES
1201140042	BTY4050-FBP-05	NO
1201140043	BTY4050-FBP-10	NO
1201140044	BTY4050-FBP-15	NO
1201140186	BTY405N-FBP-25	YES

MOLEX P/N	ENG. NO.	LED
1201140187	BTY405P-FBE-05	YES
1201140188	BTY405P-FBP-20	YES
1201140189	BTY4050-FBE-05	NO
1201145036	BTY405P-FBP-05WE	YES
1201145037	BTY405P-FBP-10WE	YES
1201148028	BTY405P-FBP-15-1	YES

ENG. NO. MATRIX:

B	T	Y	4	0	0	*	-	F	B	*	-	*	*	-	*
B=BRAD	T=TOP MOUNT	Y=YELLOW	4=4 PORT	VERSION: 00-SINGLE PORT 05-DUAL PORT		P=PNP N=NPN 0=NO LED		F=FEMALE	B=BRASS	CABLE SEE TABLE 3		XX=CABLE LENGHT EXAMPLE: 05=5 METER 10=10 METER		S=SHILDED 1-UL/CSA PUR CABLE	

TABLE 3

CABLE	TEM. RANGE STATISCH	TEM. RANGE FLEXIBLE	CABLE DIAMETER (MM) SIGLE (4POLE) 4/6/8 PORT	CABLE DIAMETER (MM) DUAL (5POLE) 4/6/8 PORT	DRAG CHAIN	UL STYLE
P=PUR/PVC/Black	-30°C TO +90°C	-5°C TO +90°C	8.4 ±0.2 / 9.5±0.2 / 9.5 ±0.2	9.5 ±0.2 / 9.8 ±0.2 / 11.4 ±0.2	1.5 MIO. CYCLES	-
P=PUR/PVC/Black/UL/CSA	-25°C TO +90°C	-	7.5 ± 0.2	8.6 ± 0.2	-	-
N=PVC/GREY	-	-10°C TO +80°C	8.4 ± 0.2	9.5 ± 0.2	10 MIO. CYCLES	2464
I=CEI/GREY	-5°C TO +70°C	-	8.4 ± 0.2	9.5 ± 0.2	-	-
E=PVC/YELLOW	-5°C TO +70°C	-	8.4 ± 0.2	9.5 ± 0.2	-	-

ENTER DESCRIPTION EC NO: IPG2014-0267 DRAWN: JULETTENMEIER 2013/09/24 CHKD: RSILLER 2013/09/25 APPR: CBURGER 2013/10/07 REV: B	QUALITY SYMBOLS	GENERAL TOLERANCES (UNLESS SPECIFIED)		DIMENSION STYLE	SCALE	DESIGN UNITS	THIRD ANGLE PROJECTION	
	▼=0 ▽=0	mm INCH		MM ONLY	1:1	METRIC	☉	
	DESCRIPTION	4 PLACES ± --- ± ---	3 PLACES ± --- ± ---	DRAWN BY DATE	TITLE			
		2 PLACES ± 0.05 ± ---	1 PLACE ± 0.10 ± ---	UJULETTENMEIER 2013/07/02	MPIS M12 PNP NPN NOS 5P 4PT AC FE STR XM			
	0 PLACE ± --- ± ---	ANGULAR ± .5 °	CHECKED BY DATE	molex				
	DRAFT WHERE APPLICABLE MUST REMAIN WITHIN DIMENSIONS	RSILLER 2013/07/10	APPROVED BY DATE					MATERIAL NO.
			CBURGER 2013/07/17	SEE TABLE 2	SD-120114-093	3 OF 3	THIS DRAWING CONTAINS INFORMATION THAT IS PROPRIETARY TO MOLEX INCORPORATED AND SHOULD NOT BE USED WITHOUT WRITTEN PERMISSION	