



Chipsmall Limited consists of a professional team with an average of over 10 year of expertise in the distribution of electronic components. Based in Hongkong, we have already established firm and mutual-benefit business relationships with customers from,Europe,America and south Asia,supplying obsolete and hard-to-find components to meet their specific needs.

With the principle of “Quality Parts,Customers Priority,Honest Operation,and Considerate Service”,our business mainly focus on the distribution of electronic components. Line cards we deal with include Microchip,ALPS,ROHM,Xilinx,Pulse,ON,Everlight and Freescale. Main products comprise IC,Modules,Potentiometer,IC Socket,Relay,Connector.Our parts cover such applications as commercial,industrial, and automotives areas.

We are looking forward to setting up business relationship with you and hope to provide you with the best service and solution. Let us make a better world for our industry!



Contact us

Tel: +86-755-8981 8866 Fax: +86-755-8427 6832

Email & Skype: info@chipsmall.com Web: www.chipsmall.com

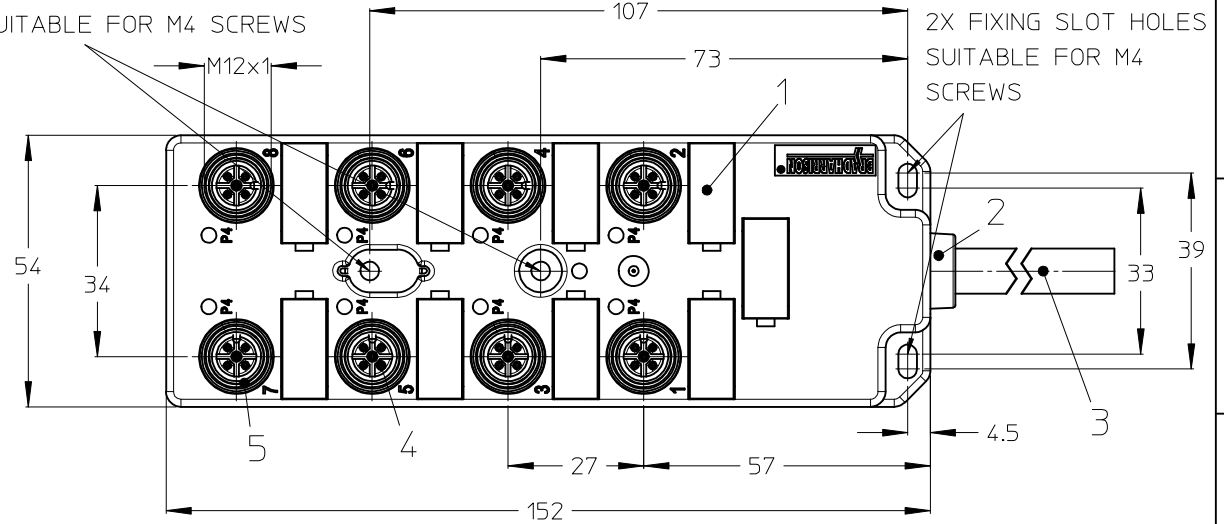
Address: A1208, Overseas Decoration Building, #122 Zhenhua RD., Futian, Shenzhen, China



TABLE 1 BILL OF MATERIAL

ITEM	QTY	DESCRIPTION	MATERIAL	FINISH
1	9	LABEL	ABS	WHITE
2	1	CABLE PLATE	PBT	YELLOW
3	1	CABLE	SEE ENG. NO. MATRIX	SEE ENG. NO. MATRIX
4	32	CONTACT	BRASS	GOLD OVER NICKEL
5	8	O-RING	FPM	RED
6	8	SHELL	BRASS	NICKEL PLATED
7	9	LED	NON LED = PBT/ WITH LED = PA	NON LED=YELLOW/ WITH LED=TRANSPARENT
8	2	PROTECTING CAP	PP	BLACK
9	1	HOUSING	PBT	YELLOW

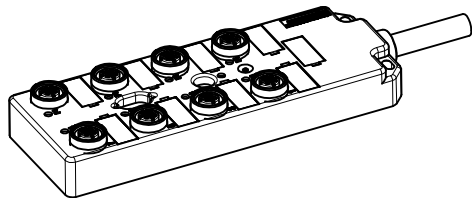
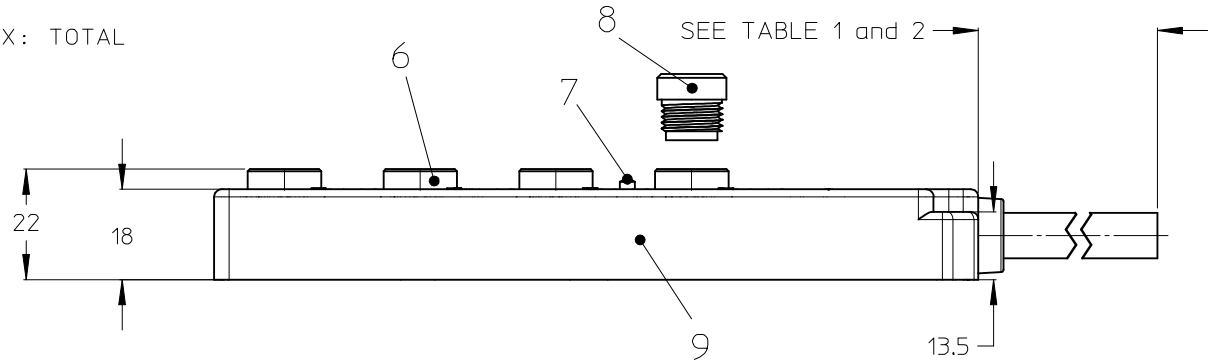
2X FIXING HOLES
SUITABLE FOR M4 SCREWS



GENERAL CHARACTERISTICS:

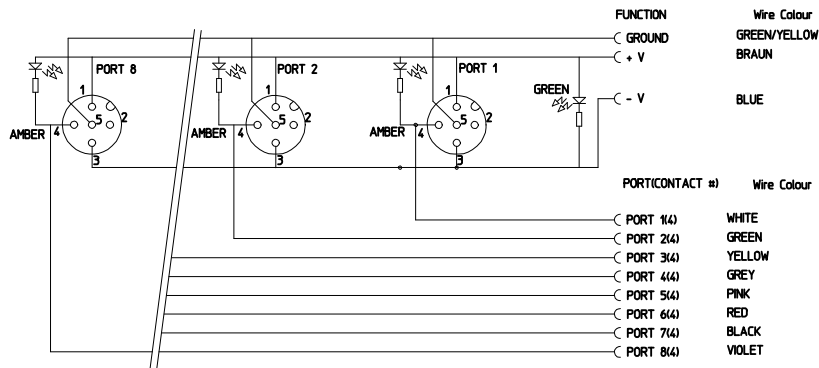
ELECTRICAL AND MECHANICAL DATA ACC. TO IEC 61076-2-101

- NOMINAL VOLTAGE: 24 V DC
- RATED CURRENT: 4 A PER PORT / 12 A MAX: TOTAL
- CONTACT RESISTANCE: ≤ 5 mOHM
- INSULATION RESISTANCE: > 10⁹ OHM
- IP DEGREE OF PROTECTION: IP 67
- TEMPERATURE RANGE: -25°C to + 85°C

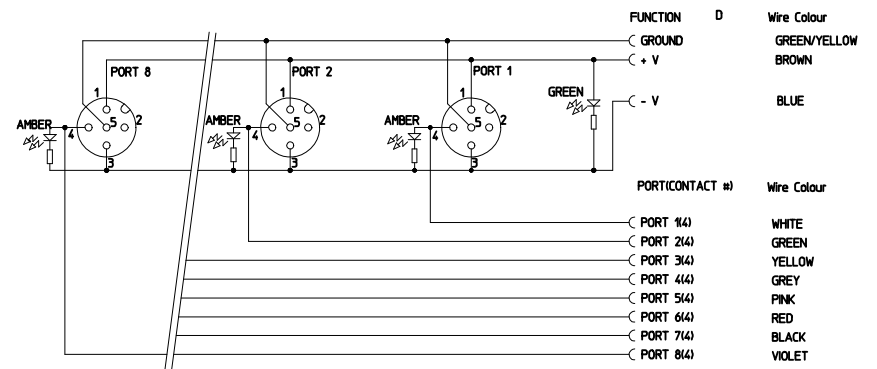


ENTER DESCRIPTION EC NO: IPG2014-0267 DRW:ULETTEMEIER2013/09/24 CHK:RSILLER 2013/09/25 APPR:CBURGER 2013/10/07	QUALITY SYMBOLS ▽=0 ▽=0	GENERAL TOLERANCES (UNLESS SPECIFIED)		DIMENSION STYLE MM ONLY	SCALE 1:1	DESIGN UNITS METRIC	THIRD ANGLE PROJECTION		
		4 PLACES ± --- ± ---	3 PLACES ± --- ± ---	2 PLACES ± 0.1 ± ---	1 PLACE ± 0.2 ± ---	0 PLACE ± --- ± ---	DRAWN BY DATE ULETTEMEIER 2011/07/12		
		ANGULAR ± 2 °		DRAFT WHERE APPLICABLE MUST REMAIN WITHIN DIMENSIONS			CHECKED BY DATE ZISMAYILOV 2011/12/14		
		MATERIAL NO.		APPROVED BY DATE CBURGER 2011/12/20			TITLE MPIS M12 PNP NOS NPN 4P 8PT AC FE STR PUR PVC XM		
A3	REV	SEE TABLE 2		molex			DOCUMENT NO. SD-120005-011	SHEET NO. 1 OF 3	

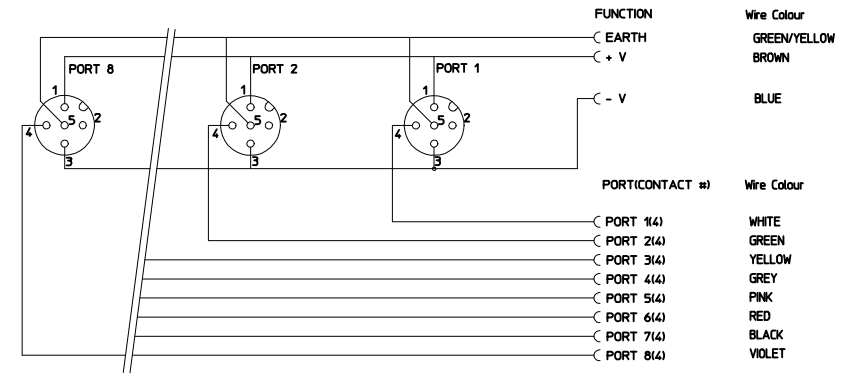
Wiring Diagram NPN



Wiring Diagram PNP



WIRING DIAGRAMM NON LED



ENTER DESCRIPTION IEC NO: IPG2014-0267 DRWN:ULETTEMEIER 2013/09/24 CHKD:PSILLER 2013/09/25 APPR:CBURGER 2013/10/07	QUALITY SYMBOLS 	GENERAL TOLERANCES (UNLESS SPECIFIED)		DIMENSION STYLE MM ONLY	SCALE 1:1	DESIGN UNITS METRIC	THIRD ANGLE PROJECTION
		4 PLACES ± --- ± --- 3 PLACES ± --- ± --- 2 PLACES ± 0.1 ± --- 1 PLACE ± 0.2 ± --- 0 PLACE ± --- ± ---	m/m INCH	DRAWN BY DATE ULETTEMEIER 2011/07/12	TITLE MPIS M12 PNP NOS NPN 4P 8PT AC FE STR PUR PVC XM		
		ANGULAR ± 2 ° DRAFT WHERE APPLICABLE MUST REMAIN WITHIN DIMENSIONS	CHECKED BY DATE ZISMAYILOV 2011/12/14	APPROVED BY DATE CBURGER 2011/12/20	MATERIAL NO. SEE TABLE 2		
		SIZE A3	THIS DRAWING CONTAINS INFORMATION THAT IS PROPRIETARY TO MOLEX INCORPORATED AND SHOULD NOT BE USED WITHOUT WRITTEN PERMISSION	DOCUMENT NO. SD-120005-011	SHEET NO. 2 OF 3		

TABLE 2

MOLEX P/N	ENG. NR.	LED	MOLEX P/N	ENG. NR.	LED
1200550583	BTY8000-FBP-05	NO	1200051006	BTY800P-FBN-05	YES
1200550584	BTY8000-FBP-10	NO	1200051007	BTY800P-FBN-10	YES
1200051016	BTY800N-FBN-05	YES	1200051008	BTY800P-FBN-15	YES
1200051017	BTY800N-FBN-10	YES	1201148022	BTY800P-FBP-05	YES
1200051018	BTY800N-FBN-15	YES	1201148023	BTY800P-FBP-10	YES
1200050032	BTY800N-FBP-02	YES	1201148024	BTY800P-FBP-15	YES
1201148020	BTY800N-FBP-05	YES	1201148025	BTY800P-FBP-20	YES
1201140197	BTY800N-FBP-10	YES	1200550781	BTY800P-FBI-30	YES
1201148021	BTY800N-FBP-15	YES			
1200550529	BTY800P-FBE-05	YES			
1200550582	BTY800P-FBE-10	YES			
1200550625	BTY800P-FBE-20	YES			
1200550533	BTY800P-FBI-05	YES			
1200550534	BTY800P-FBI-10	YES			
1200550563	BTY800P-FBI-15	YES			

ENG. NO. MATRIX:

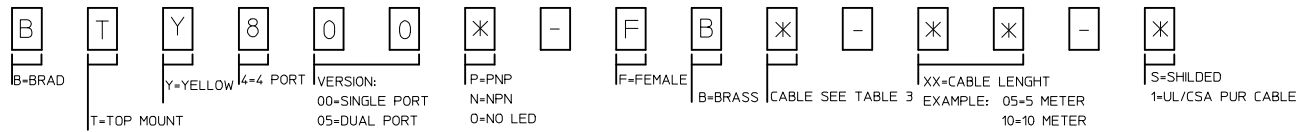


TABLE 3

CABLE	TEM. RANGE STATISCH	TEM. RANGE FLEXIBLE	CABLE DIAMETER (MM) SIGLE (4POLE) 4/6/8 PORT	CABLE DIAMETER (MM) DUAL (5POLE) 4/6/8 PORT	DRAG CHAIN	UL STYLE
P=PUR/PVC/Black	-30°C TO +90°C	-5°C TO +90°C	8.4 ±0.2 / 9.5±0.2 / 9.5 ±0.2	9.5 ±0.2 / 9.8 ±0.2 / 11.4 ±0.2	1.5 MIO. CYCLES	-
P=PUR/PVC/Black/UL/CSA	-25°C TO +90°C	-	7.5 ± 0.2	8.6 ± 0.2	-	-
N=PVC/GREY	-	-10°C TO +80°C	8.4 ± 0.2	9.5 ± 0.2	10 MIO. CYCLES	2464
I=CEI/GREY	-5°C TO +70°C	-	8.4 ± 0.2	9.5 ± 0.2	-	-
E=PVC/YELLOW	-5°C TO +70°C	-	8.4 ± 0.2	9.5 ± 0.2	-	-

ENTER DESCRIPTION EC NO: IPG2014-0267 DRWN:ULETTEMER 2013/09/24 CHKD:RSILLER 2013/09/25 APPR:CBURGER 2013/10/07 A3	QUALITY SYMBOLS ▽=0 ▽=0	GENERAL TOLERANCES (UNLESS SPECIFIED)		DIMENSION STYLE MM ONLY		SCALE 1:1	DESIGN UNITS METRIC	FIRST ANGLE PROJECTION		
		4 PLACES ± --- ± --- 3 PLACES ± --- ± --- 2 PLACES ± 0.1 ± --- 1 PLACE ± 0.2 ± --- 0 PLACE ± --- ± ---	m/m INCH ± --- ± --- ± 0.1 ± --- ± 0.2 ± --- ± --- ± ---	DRAWN BY ULETTEMER 2011/07/12	DATE	CHECKED BY ZISMAYILOV 2011/12/14	DATE	TITLE MPIS M12 PNP NOS NPN 4P 8PT AC FE STR PUR PVC XM		
		ANGULAR ± 2 °		APPROVED BY CBURGER 2011/12/20	DATE	MATERIAL NO.				
		DRAFT WHERE APPLICABLE MUST REMAIN WITHIN DIMENSIONS		SEE TABLE 2		DOCUMENT NO. SD-120005-011		SHEET NO. 3 OF 3		

THIS DRAWING CONTAINS INFORMATION THAT IS PROPRIETARY TO MOLEX INCORPORATED AND SHOULD NOT BE USED WITHOUT WRITTEN PERMISSION