



Chipsmall Limited consists of a professional team with an average of over 10 year of expertise in the distribution of electronic components. Based in Hongkong, we have already established firm and mutual-benefit business relationships with customers from,Europe,America and south Asia,supplying obsolete and hard-to-find components to meet their specific needs.

With the principle of "Quality Parts,Customers Priority,Honest Operation,and Considerate Service",our business mainly focus on the distribution of electronic components. Line cards we deal with include Microchip,ALPS,ROHM,Xilinx,Pulse,ON,Everlight and Freescale. Main products comprise IC,Modules,Potentiometer,IC Socket,Relay,Connector.Our parts cover such applications as commercial,industrial, and automotives areas.

We are looking forward to setting up business relationship with you and hope to provide you with the best service and solution. Let us make a better world for our industry!



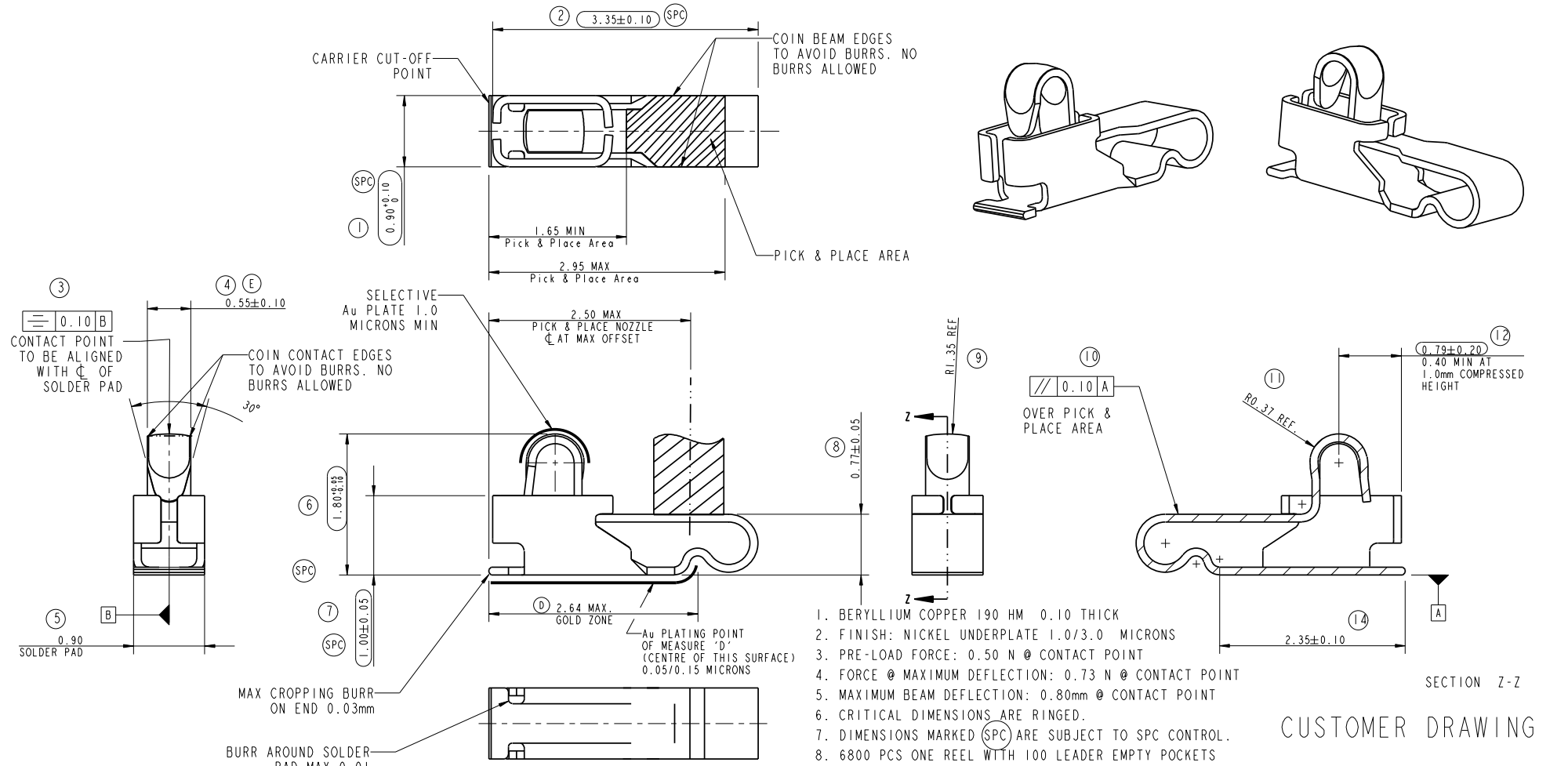
Contact us

Tel: +86-755-8981 8866 Fax: +86-755-8427 6832


Email & Skype: info@chipsmall.com Web: www.chipsmall.com

Address: A1208, Overseas Decoration Building, #122 Zhenhua RD., Futian, Shenzhen, China





1. BERYLLIUM COPPER 190 HM 0.10 THICK
2. FINISH: NICKEL UNDERPLATE 1.0/3.0 MICRONS
3. PRE-LOAD FORCE: 0.50 N @ CONTACT POINT
4. FORCE @ MAXIMUM DEFLECTION: 0.73 N @ CONTACT POINT
5. MAXIMUM BEAM DEFLECTION: 0.80mm @ CONTACT POINT
6. CRITICAL DIMENSIONS ARE RINGED.
7. DIMENSIONS MARKED (SPC) ARE SUBJECT TO SPC CONTROL.
8. 6800 PCS ONE REEL WITH 100 LEADER EMPTY POCKETS AND 100 TRAILER EMPTY POCKETS. REEL OUTER DIMETER IS Ø330mm, REEL HUB DIMETER IS Ø100mm.
9. RECOMMENDED PCB PAD SIZE: 2.75 X 0.90 mm.

DO NOT SCALE		PDM:		A3/B
E	RIE-2272, ADD WIDTH TOLERANCE	01-APR-08		
D	RIE-1935, ADD SOLDERING GOLD ZONE DIMENSION	13-Feb-07		
C	RIE-1688, ADD PCB PAD SIZE INTO NOTES	8-May-06		
B	RIE-1438 RELEASED	25-May-05		
A	ADD DIMS	02-Jan-05		
Rev	DCN/ECN or Description	Date		
Drawn	BILLS	01-APR-08	Material:	 ITT Industries Toupandun Industrial Area, Jinda Cheng, Xiner Village, Shajing Town, Baoan District, Shenzhen City PRC 518125
Checked	DAVID	01-APR-08	BERYLLIUM COPPER	
Engineer	BILLS	01-APR-08	190 HM - 0.1 ± 0.004 THICK	
Manufact.				
Assembly			Treatment:	Ref: Scale 10.000 Sheet 1 of 1
Quality				
Approvals	Sign	Date	Dimensions in:	
This is issued in strict confidence on condition that it is not used as a basis for manufacture or sale and that it is not copied, reprinted or disclosed to a third party either wholly or in part without the prior written consent of ITT Industries © 30-Mar-05				Pro/E Generic Model Title MICRO UNIVERSAL CONTACT 1.8 mm Drwg. No. CU-120220-0202 iss/rev E