



Chipsmall Limited consists of a professional team with an average of over 10 year of expertise in the distribution of electronic components. Based in Hongkong, we have already established firm and mutual-benefit business relationships with customers from,Europe,America and south Asia,supplying obsolete and hard-to-find components to meet their specific needs.

With the principle of “Quality Parts,Customers Priority,Honest Operation,and Considerate Service”,our business mainly focus on the distribution of electronic components. Line cards we deal with include Microchip,ALPS,ROHM,Xilinx,Pulse,ON,Everlight and Freescale. Main products comprise IC,Modules,Potentiometer,IC Socket,Relay,Connector.Our parts cover such applications as commercial,industrial, and automotives areas.

We are looking forward to setting up business relationship with you and hope to provide you with the best service and solution. Let us make a better world for our industry!



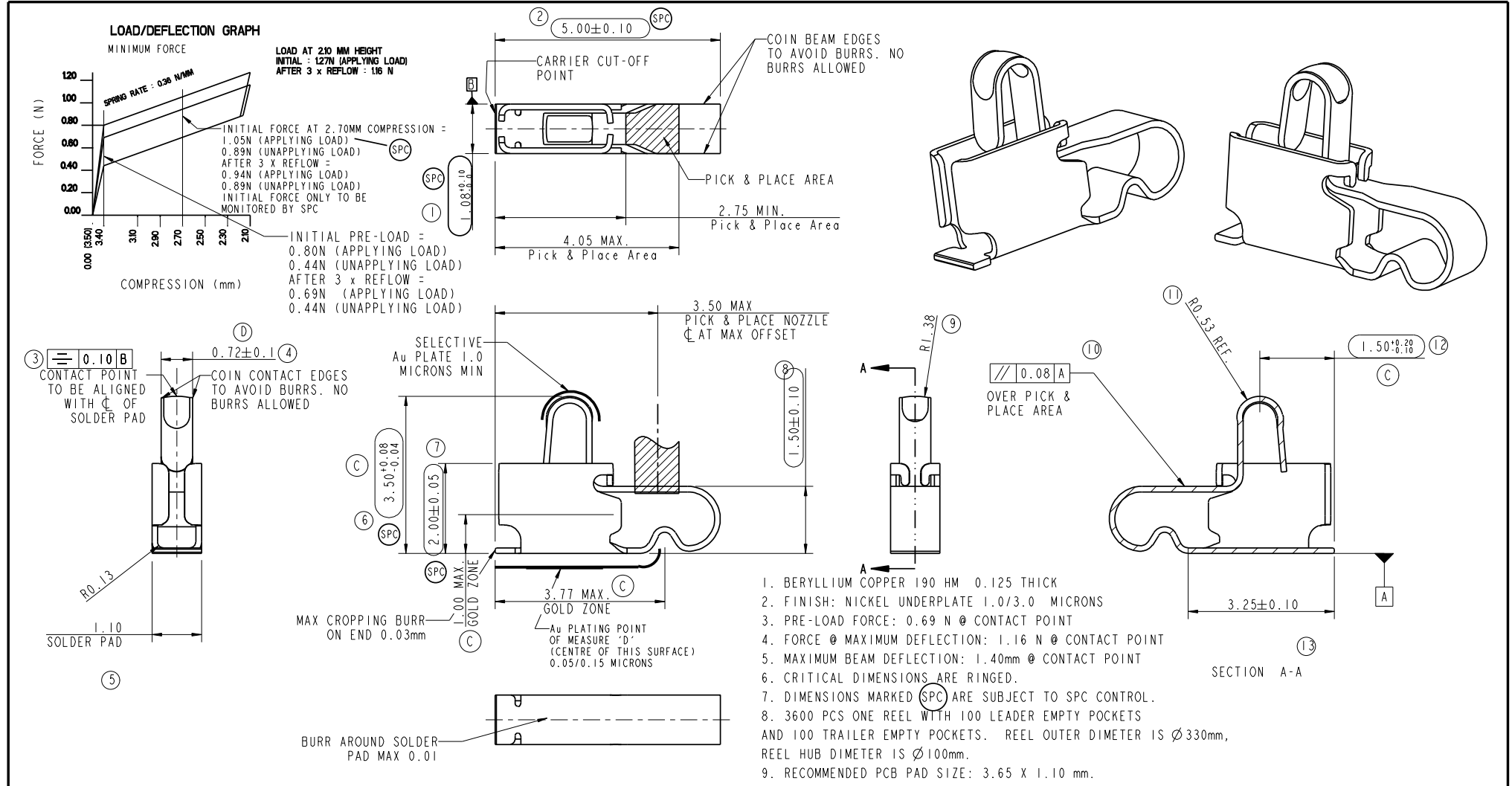
Contact us

Tel: +86-755-8981 8866 Fax: +86-755-8427 6832

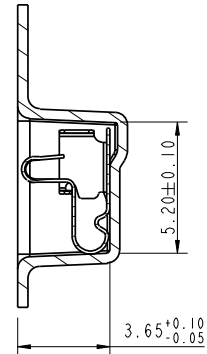
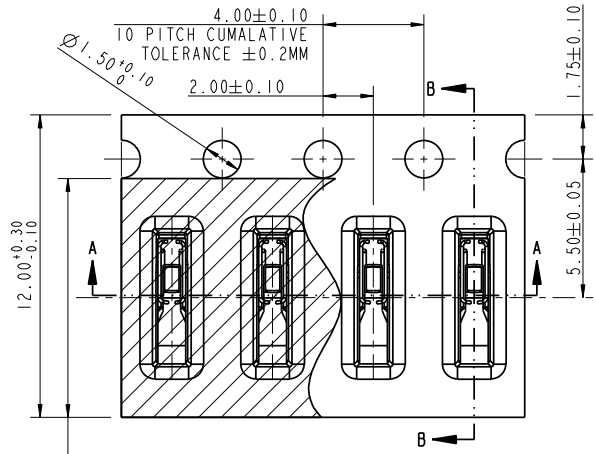
Email & Skype: info@chipsmall.com Web: www.chipsmall.com

Address: A1208, Overseas Decoration Building, #122 Zhenhua RD., Futian, Shenzhen, China

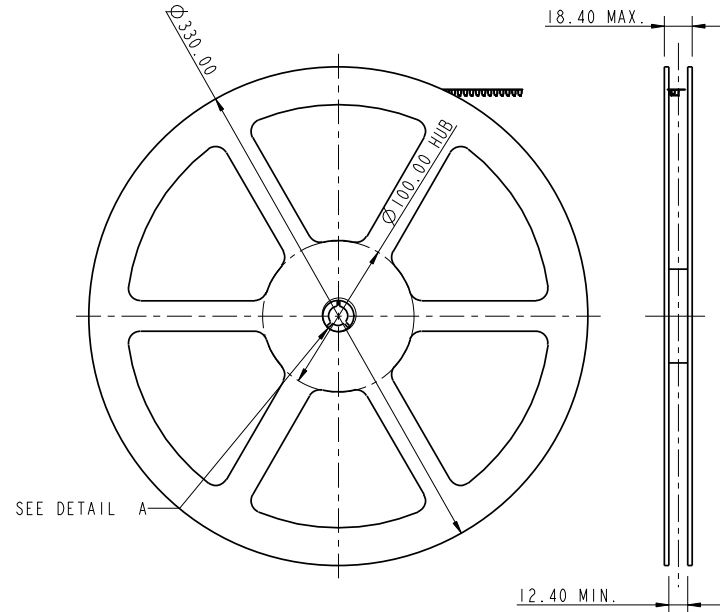




E	RIE-2859, ADD PACKAGING DETAIL	13-Nov-10	DO NOT SCALE						PDM:	A3/B
D	RIE-2272, ADD WIDTH TOLERANCE	01-Apr-06	Drawn	BILLS	13-Nov-10	Material:	 ITT Industries Cannon Electronics (SZ) Co. Ltd. Toupandun Industrial Area, Jinda Cheng, Xiner Village, Shajing Town, Baoan District, Shenzhen City PRC 518125	Pro/E Generic Model Title MICRO UNIVERSAL CONTACT 3.5 mm	Drwg. No. CU-120220-0204	iss/rev E
C	RIE-1935, ADD SOLDERING GOLD ZONE DIMENSION 3.50 ^{+0.08} _{-0.04} was 3.50±0.05 15 ^{+0.20} _{-0.10} was 166±0.20	26-FEB-07	Checked	FRANK	13-Nov-10	BERYLLIUM COPPER 190 HM - 0.125 ± 0.004 THICK				
B	RIE-1724, UPDATED FORCE INFORMATION ADD PCB PAD SIZE	25-Apr-06	Manufact.	BILLS	13-Nov-10	Treatment:	Ref:	Scale 40.000	Sheet 1 of 2	
A	RIE-1703 RELEASED	3-Apr-06	Assembly			Dimensions in: mm	Cust Spec No:			
Iss/Rev	DCN/ECN or Description	Date	Approvals	Sign	Date	This is issued in strict confidence on condition that it is not used as a basis for manufacture or sale and that it is not copied reprinted or disclosed to a third party either wholly or in part without the prior written consent of ITT Industries © 30-Mar-05				

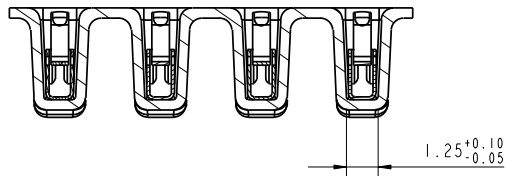


SECTION B-B



SEE DETAIL A

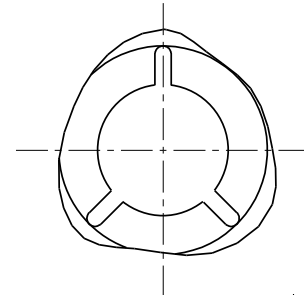
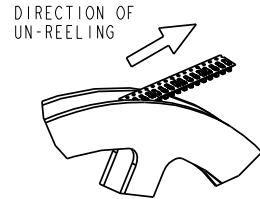
9.4809.3 ANTI-STATIC COVER TAPE POLYESTER - 0.025 THICK PRESSURE SEAL



SECTION A-A


PACKAGING DETAILS

- 1) 3600 PCS TO BE PACKED PER REEL
- 2) LEADER = 390 MM
- 3) TRAILER = 160 MM
- 4) REEL MATERIAL - BLACK ANTI-STATIC POLYSTYRENE



SCALE 2.000

NOTES:
1, CARRIER TAPE MATERIAL - BLACK CONDUCTIVE POLYSTYRENE.

DO NOT SCALE					PDM:		A3/B
Drawn	BILLS	13-Nov-09	Material:	 ITT Industries Cannon Electronics (SZ) Co. Ltd.	Toupandun Industrial Area, Jinda Cheng, Xiner Village, Shajing Town, Baoan District, Shenzhen City PRC 518125	Pro/E Generic Model	
Checked	FRANK	13-Nov-10	BERYLLIUM COPPER			Title	
Engineer	BILLS	13-Nov-10	190 HM - 0.125 ± 0.004 THICK			MICRO UNIVERSAL CONTACT 3.5 mm	
Manufact.	-	.	Treatment:			Drwg. No. CU-120220-0204	
Assembly	-	.		Ref:	Scale 30.000	Sheet 2 of 2	iss/rev
Quality	-	.		Unless Specified			E
Approvals	Sign	Date	Dimensions in: mm	Cust Spec No:			

This is issued in strict confidence on condition that it is not used as a basis for manufacture or sale and that it is not copied, reprinted or disclosed to a third party either wholly or in part without the prior written consent of ITT Industries © 13-Nov-09