



Chipsmall Limited consists of a professional team with an average of over 10 year of expertise in the distribution of electronic components. Based in Hongkong, we have already established firm and mutual-benefit business relationships with customers from,Europe,America and south Asia,supplying obsolete and hard-to-find components to meet their specific needs.

With the principle of “Quality Parts,Customers Priority,Honest Operation,and Considerate Service”,our business mainly focus on the distribution of electronic components. Line cards we deal with include Microchip,ALPS,ROHM,Xilinx,Pulse,ON,Everlight and Freescale. Main products comprise IC,Modules,Potentiometer,IC Socket,Relay,Connector.Our parts cover such applications as commercial,industrial, and automotives areas.

We are looking forward to setting up business relationship with you and hope to provide you with the best service and solution. Let us make a better world for our industry!



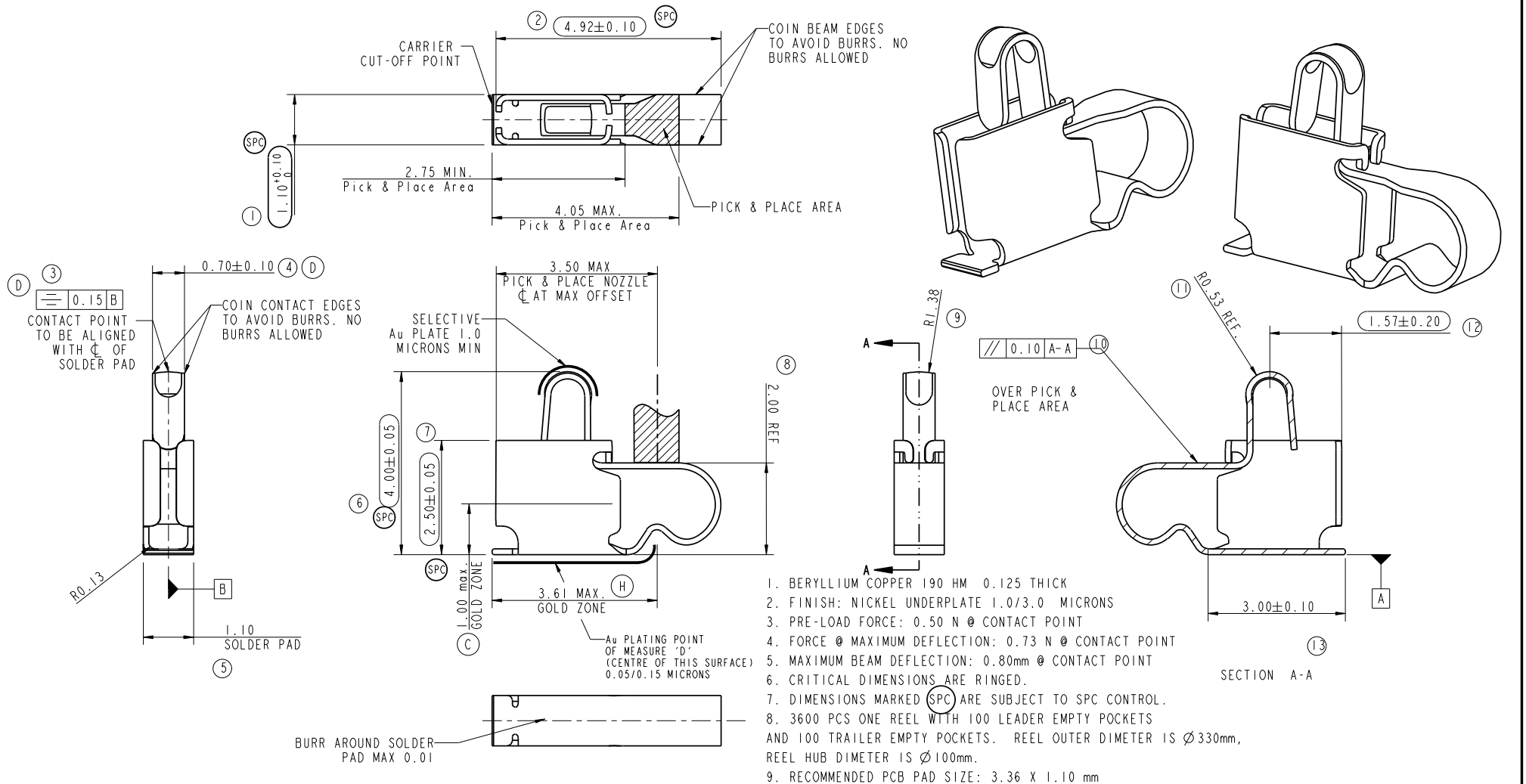
## Contact us

Tel: +86-755-8981 8866 Fax: +86-755-8427 6832

Email & Skype: info@chipsmall.com Web: www.chipsmall.com

Address: A1208, Overseas Decoration Building, #122 Zhenhua RD., Futian, Shenzhen, China





1. BERYLLIUM COPPER 190 HM 0.125 THICK
2. FINISH: NICKEL UNDERPLATE 1.0/3.0 MICRONS
3. PRE-LOAD FORCE: 0.50 N @ CONTACT POINT
4. FORCE @ MAXIMUM DEFLECTION: 0.73 N @ CONTACT POINT
5. MAXIMUM BEAM DEFLECTION: 0.80mm @ CONTACT POINT
6. CRITICAL DIMENSIONS ARE RINGED.
7. DIMENSIONS MARKED (SPC) ARE SUBJECT TO SPC CONTROL.
8. 3600 PCS ONE REEL WITH 100 LEADER EMPTY POCKETS AND 100 TRAILER EMPTY POCKETS. REEL OUTER DIMETER IS Ø330mm, REEL HUB DIMETER IS Ø100mm.
9. RECOMMENDED PCB PAD SIZE: 3.36 X 1.10 mm

<b>DO NOT SCALE</b>						<b>PDM:</b>		<b>A3/B</b>	
Drawn	BILLS	01-APR-08	Material:			Toupan Industrial Area, Jinda Cheng, Xiner Village, Shajing Town, Baoan District, Shenzhen City PRC 518125		Pro/E Generic Model	
Checked	DAVID	01-APR-08	<b>BERYLLIUM COPPER</b>					Title	
Engineer	BILLS	01-APR-08	190 HM - 0.125 ± 0.004 THICK		<b>Cannon Electronics (SZ) Co. Ltd.</b>		MICRO UNIVERSAL CONTACT 4.0 mm		
Manufact.							Title		
Assembly			Treatment:		Ref:		Drwg. No. <b>CU-120220-0206</b>		
Quality							Scale 10.000 Sheet 1 of 1		
Approvals	Sign	Date	Dimensions in: mm	Cust Spec No:		Sheet 1 of 1		iss/rev <b>E</b>	

This is issued in strict confidence on condition that it is not used as a basis for manufacture or sale and that it is not copied, reprinted or disclosed to a third party either wholly or in part without the prior written consent of ITT Industries © 30-Mar-05