



Chipsmall Limited consists of a professional team with an average of over 10 year of expertise in the distribution of electronic components. Based in Hongkong, we have already established firm and mutual-benefit business relationships with customers from,Europe,America and south Asia,supplying obsolete and hard-to-find components to meet their specific needs.

With the principle of “Quality Parts,Customers Priority,Honest Operation,and Considerate Service”,our business mainly focus on the distribution of electronic components. Line cards we deal with include Microchip,ALPS,ROHM,Xilinx,Pulse,ON,Everlight and Freescale. Main products comprise IC,Modules,Potentiometer,IC Socket,Relay,Connector.Our parts cover such applications as commercial,industrial, and automotives areas.

We are looking forward to setting up business relationship with you and hope to provide you with the best service and solution. Let us make a better world for our industry!



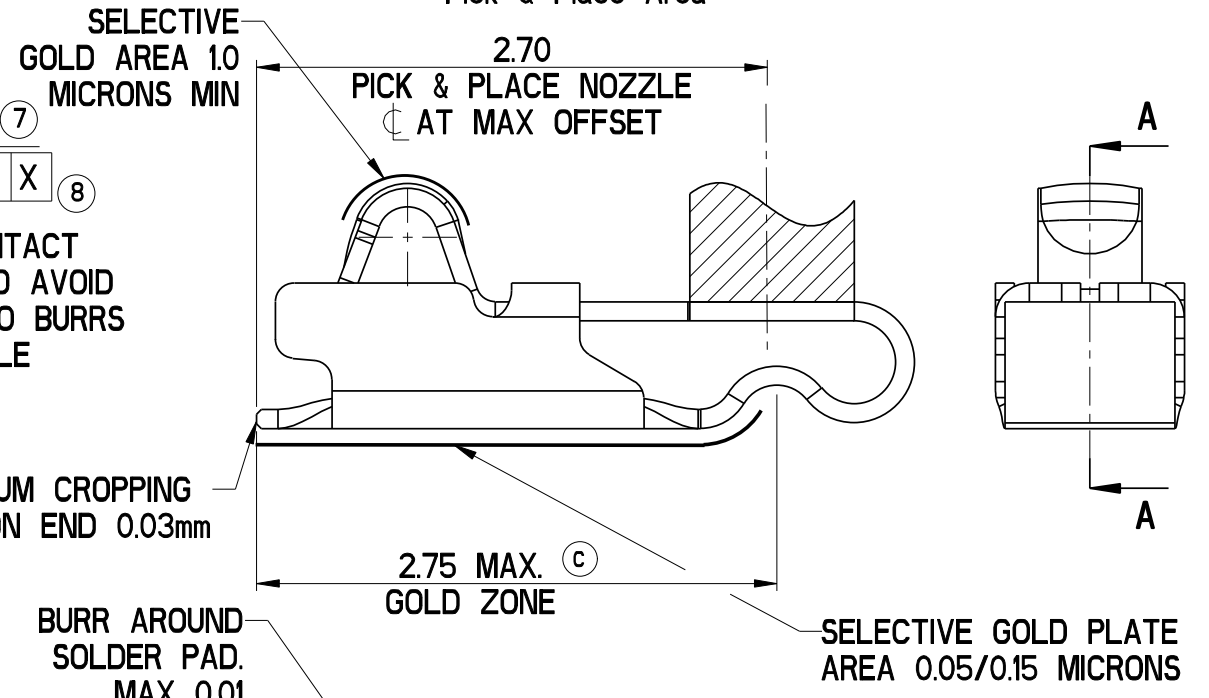
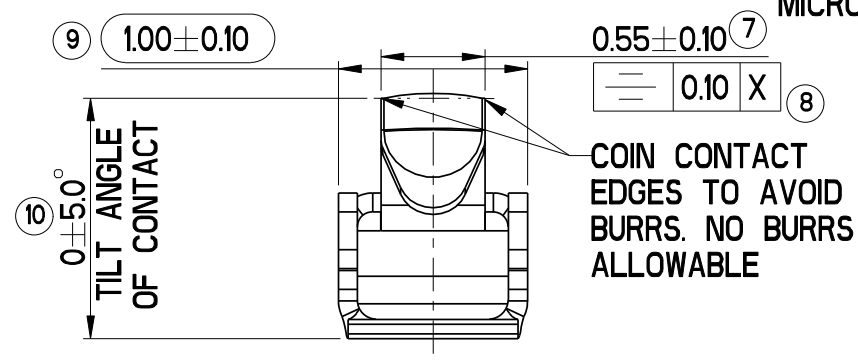
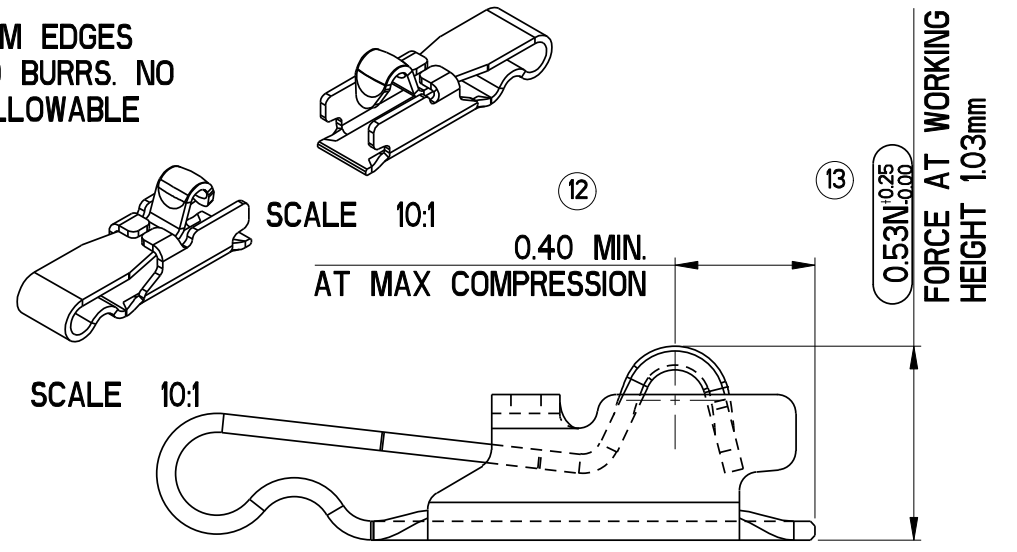
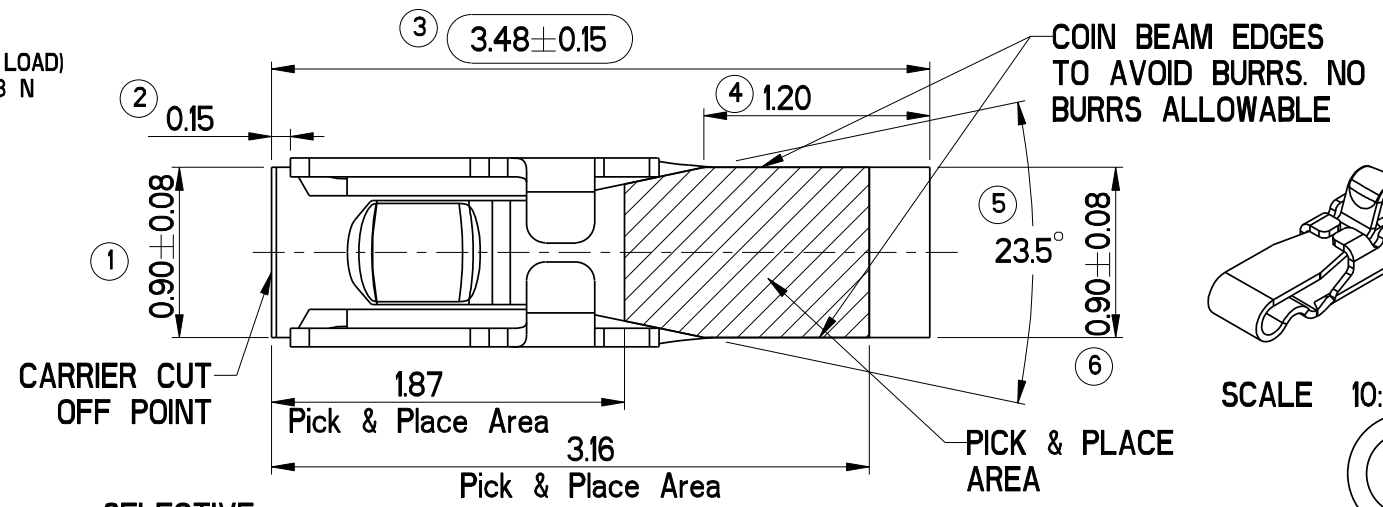
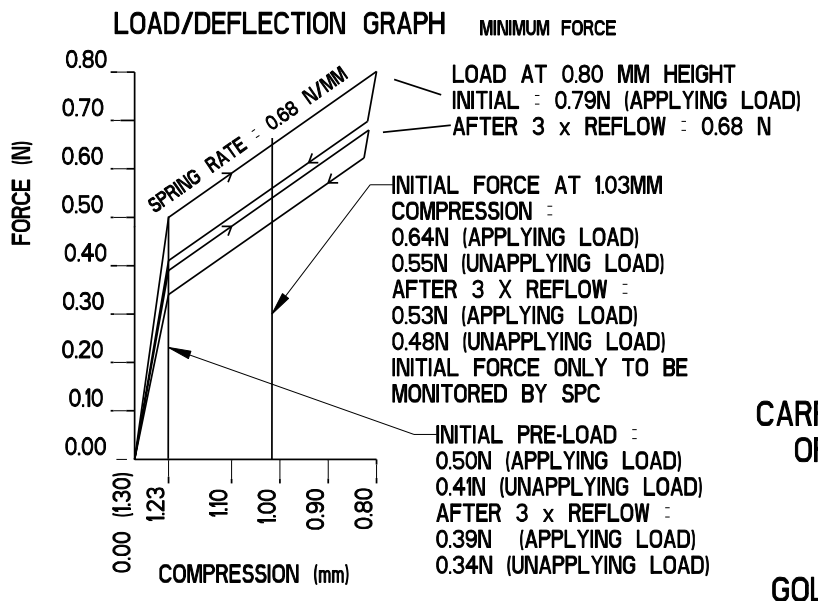
Contact us

Tel: +86-755-8981 8866 Fax: +86-755-8427 6832

Email & Skype: info@chipsmall.com Web: www.chipsmall.com

Address: A1208, Overseas Decoration Building, #122 Zhenhua RD., Futian, Shenzhen, China





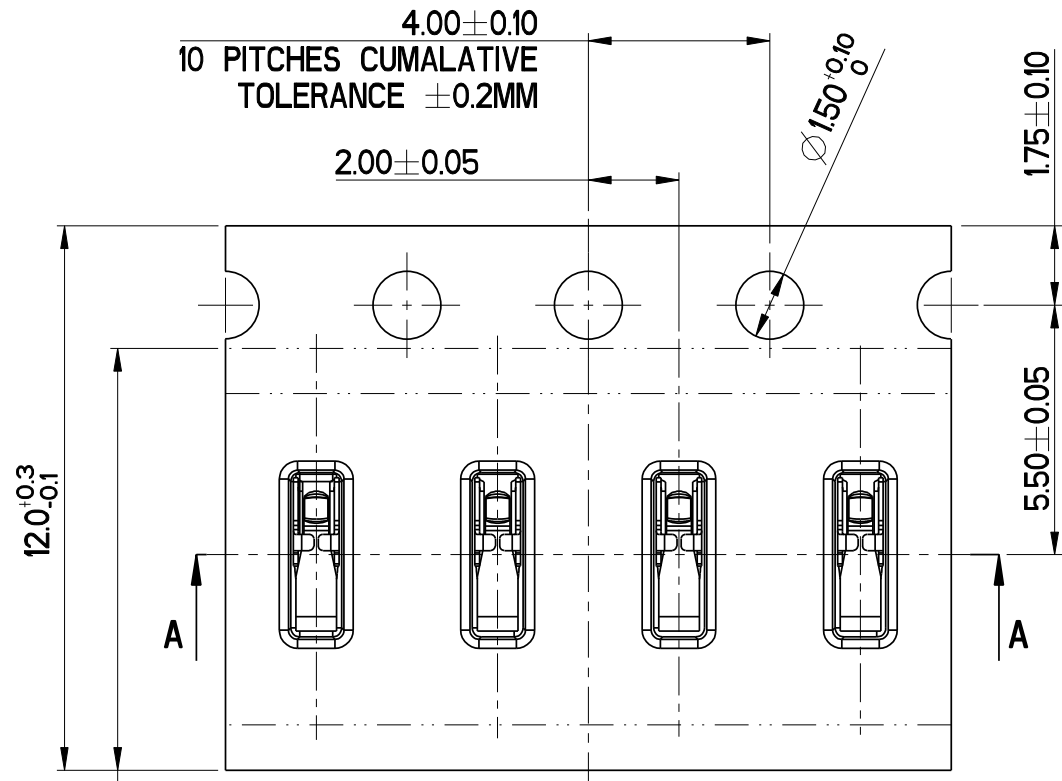
- NOTE:
1. BERYLLIUM COPPER 0.1 THICK
 2. FINISH: NICKEL UNDERPLATE 1.0/3.0 MICRONS
 3. PRE-LOAD FORCE: 0.39 N @ CONTACT POINT
 4. FORCE @ MAXIMUM DEFLECTION: 0.68 N @ CONTACT POINT
 6. RINGED DIMENSIONS AND GEOMETRIC TOLERANCE ARE CRITICAL.
 7. 9500 PCS ONE REEL WITH 100 LEADER EMPTY POCKETS AND 100 TRAILER EMPTY POCKETS. REEL OUTER DIMETER IS ϕ 330mm, REEL HUB DIMETER IS ϕ 100mm.
 8. RECOMMENDED PCB PAD SIZE: 2.45 X 1.00 mm.

Tolerance Table	
x.x	±0.15
x.xx	±0.10
Angle	±2.0°

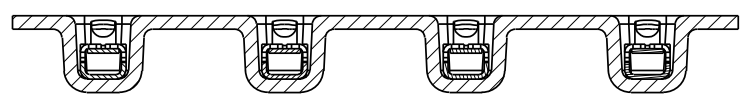
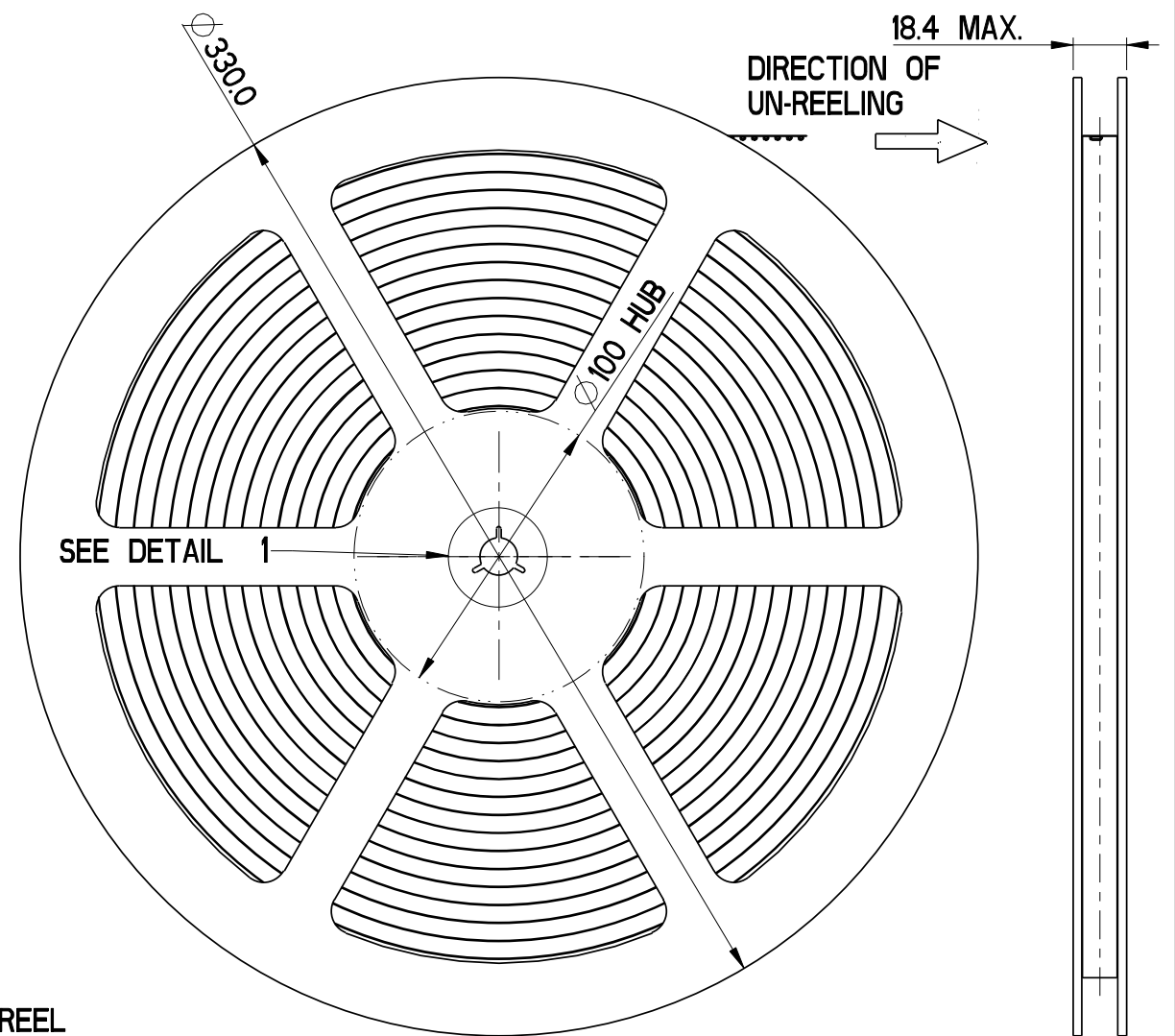
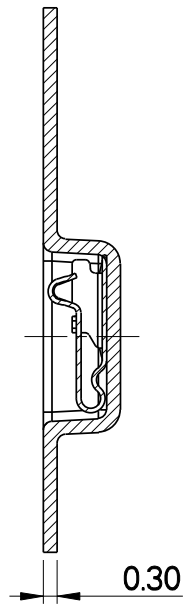
330-4007-000
PLATED NUMBER

A3/B

DO NOT SCALE		Material: BERYLLIUM COPPER 0.10 THICK		3rd ANGLE PROJECTION		Toupan Industrial Area, Jinda Cheng, Xiner Village, Shajing Town, Baoan District, Shenzhen City PRC 518125		Pro/E Generic Model	
Drawn	BILLS 26-FEB-07	Treatment:		Surface Roughness	ITT Industries	Cannon Electronics (SZ) Co. Ltd.		Title	
Checked	David 26-FEB-07							MICRO UNIVERSAL CONTACT 1.3mm	
Engineer.	BILLS 26-FEB-07							Drwg. No. CU-120220-0210	
Manufact.		Dimensions in: mm	Cust Spec No:	Scale 20:1	Sheet 1 of 2	iss/rev		C	
Assembly		This is issued in strict confidence on condition that it is not used as a basis for manufacture or sale and that it is not copied reprinted or disclosed to a third party either wholly or in part without the prior written consent of ITT Industries © 24-May-05							
Quality									
Approvals	Sign Date								
Iss Rev	DCN/ECN or Description	Date							



SECTION B-B



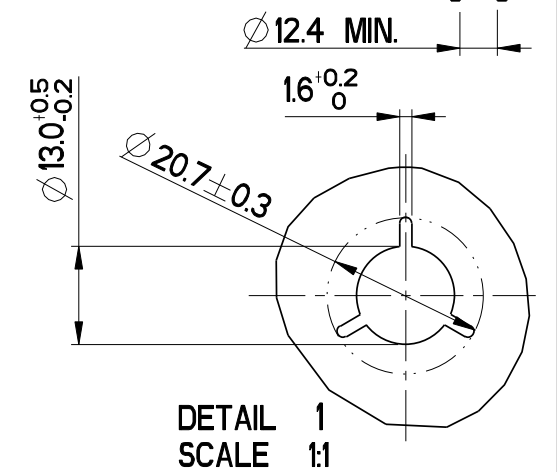
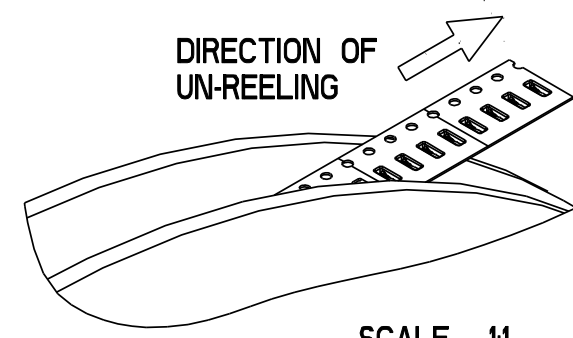
SECTION A-A

9.3 ANTI-STATIC COVER TAPE
POLYESTER - 0.025 THICK
PRESSURE SEAL

- NOTES:
 1, UNSPECIFIED INTERNAL RADII R0.2 MM MAX.
 2, CARRIER TAPE MATERIAL - BLACK CONDUCTIVE POLYSTYRENE.

PACKAGING DETAILS

- 1) 9500 PCS TO BE PACKED PER REEL
- 2) LEADER = 400 MM
- 3) TRAILER = 400 MM
- 4) REEL MATERIAL - BLACK ANTI-STATIC POLYSTYRENE



DETAIL 1
SCALE 1:1

DO NOT SCALE							A3/B	
Drawn	BILLS	26-FEB-07	Material: BERYLLIUM COPPER 0.10 THICK	 3rd ANGLE PROJECTION	 ITT Industries Cannon Electronics (SZ) Co. Ltd.	Pro/E Generic Model		
Checked	DAVID	26-FEB-07				Title		
Engineer.	BILLS	26-FEB-07				MICRO UNIVERSAL CONTACT 1.3mm		
Manufact.			Treatment:	 Surface Roughness	Toupandun Industrial Area, Jinda Cheng, Xiner Village, Shajing Town, Baoan District, Shenzhen City PRC 518125	Drwg. No. CU-120220-0210		
Assembly						iss/rev C		
Quality			Dimensions in: mm	Unless Specified	Scale 1:1	Sheet 2 of 2		
Approvals	Sign	Date	Cust Spec No:					

SEE SHEET 1
 Iss Rev DCN/ECN or Description Date

This is issued in strict confidence on condition that it is not used as a basis for manufacture or sale and that it is not copied reprinted or disclosed to a third party either wholly or in part without the prior written consent of ITT Industries © 24-May-05