



Chipsmall Limited consists of a professional team with an average of over 10 year of expertise in the distribution of electronic components. Based in Hongkong, we have already established firm and mutual-benefit business relationships with customers from,Europe,America and south Asia,supplying obsolete and hard-to-find components to meet their specific needs.

With the principle of “Quality Parts,Customers Priority,Honest Operation,and Considerate Service”,our business mainly focus on the distribution of electronic components. Line cards we deal with include Microchip,ALPS,ROHM,Xilinx,Pulse,ON,Everlight and Freescale. Main products comprise IC,Modules,Potentiometer,IC Socket,Relay,Connector.Our parts cover such applications as commercial,industrial, and automotives areas.

We are looking forward to setting up business relationship with you and hope to provide you with the best service and solution. Let us make a better world for our industry!



## Contact us

Tel: +86-755-8981 8866 Fax: +86-755-8427 6832

Email & Skype: info@chipsmall.com Web: www.chipsmall.com

Address: A1208, Overseas Decoration Building, #122 Zhenhua RD., Futian, Shenzhen, China

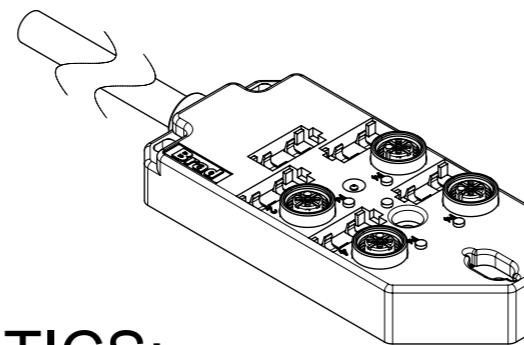
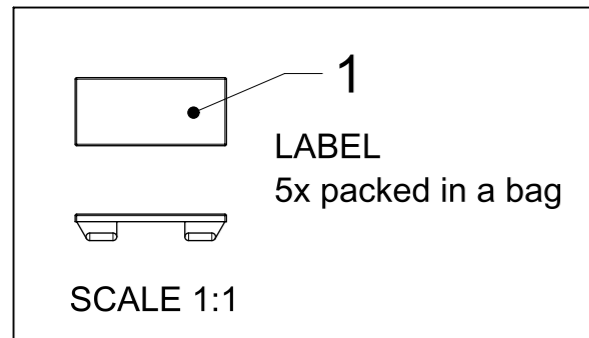
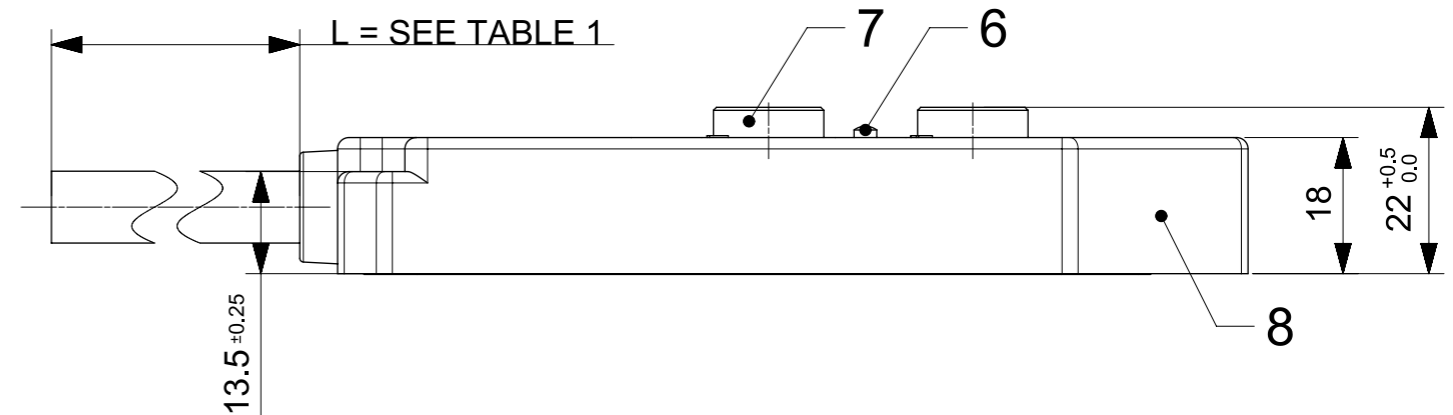
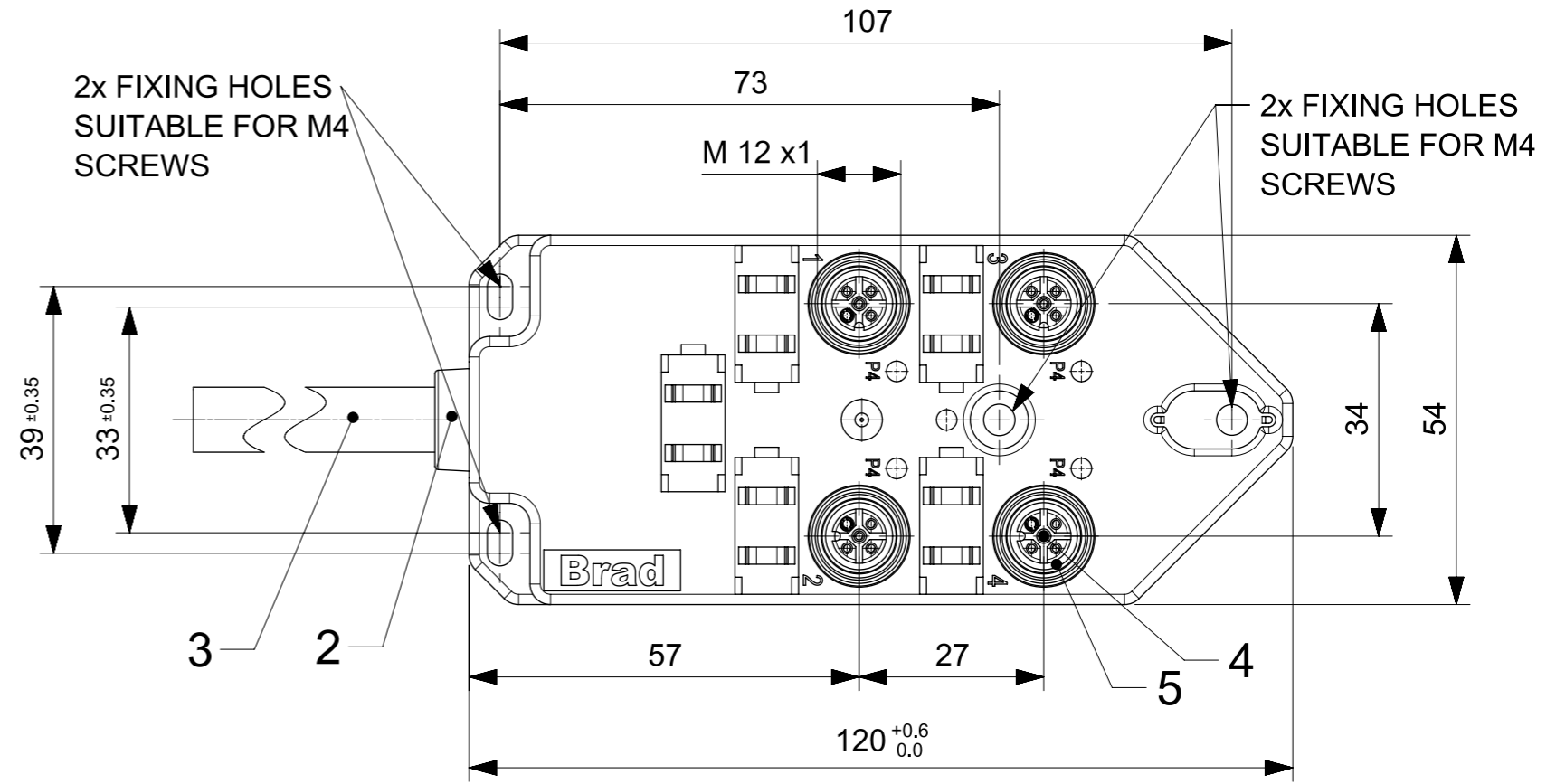


**TABLE 1**

MOLEX P/N	ENG. NO.	CABLE LENGTH (mm)	LED
1202480001	BTB4000-FBW-05	5000	NO
1202480002	BTB4000-FBW-10	10000	NO
1202480003	BTB4000-FBW-15	15000	NO
1202480004	BTB400P-FBW-05	5000	YES
1202480005	BTB400P-FBW-10	10000	YES
1202480006	BTB400P-FBW-15	15000	YES
1202480007	BTB400N-FBW-05	5000	YES
1202480008	BTB400N-FBW-10	10000	YES
1202480009	BTB400N-FBW-15	15000	YES

**TABLE 2 BILL OF MATERIAL**

ITEM	DESCRIPTION	MATERIAL	FINISH
1	LABEL	ABS	WHITE
2	CABLE PLATE	PBT	BLACK
3	CABLE	TPU BASED	BLACK
4	CONTACT	BRONZE	GOLD OVER NICKEL
5	O-RING	FPM	RED
6	LED	NO LED = PA	BLACK
		WITH LED = PA	TRANSPARENT
7	SHELL	BRASS	NICKEL PLATED
8	HOUSING	PBT	BLACK



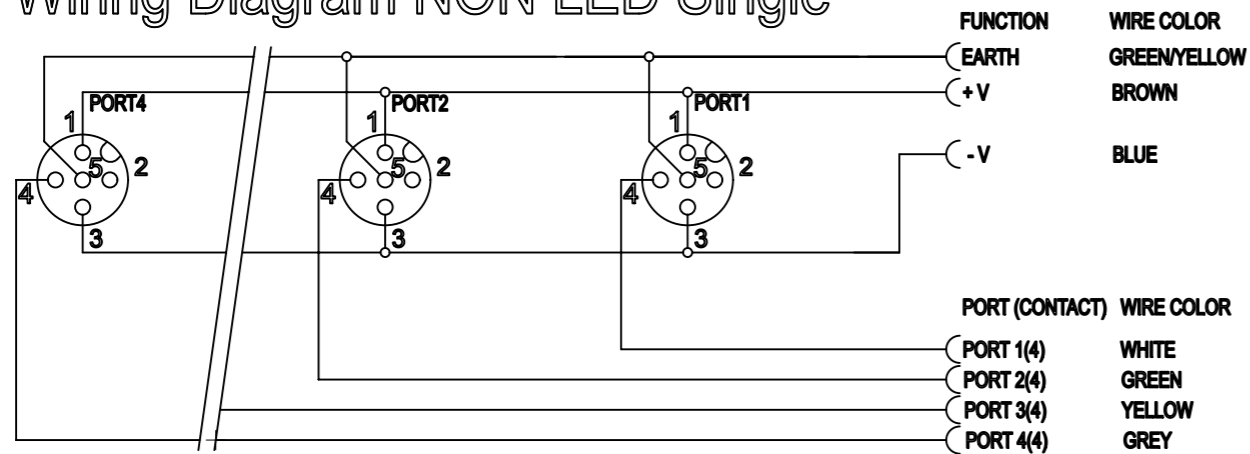
**GENERAL CHARACTERISTICS:**

ELECTRICAL AND MECHANICAL DATA ACC. TO IEC 61076-2-101

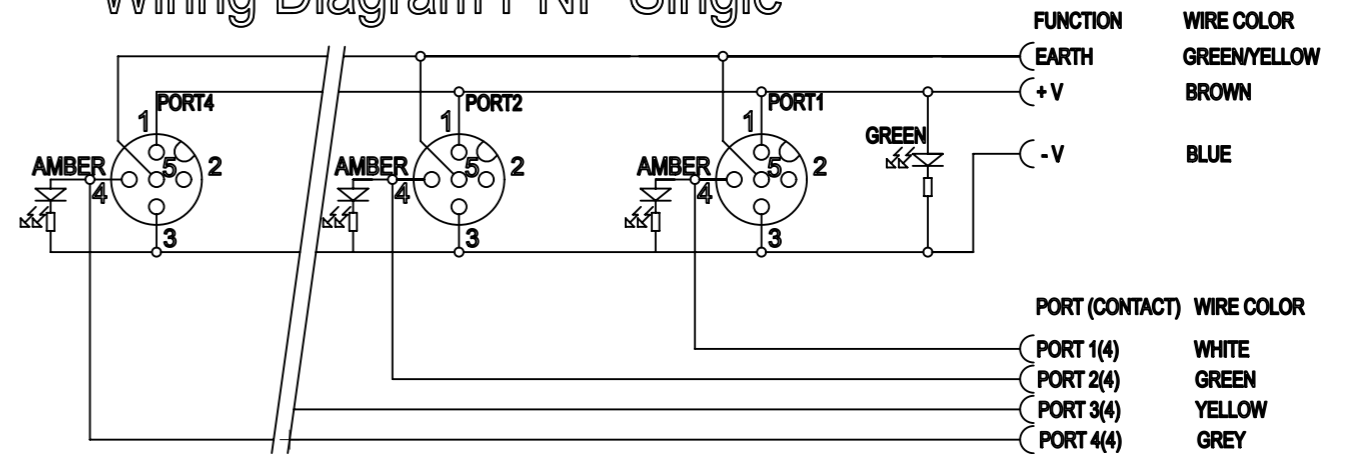
NOMINAL VOLTAGE: 10-30 V DC  
 AMPERE RATING: 4 A PER PORT / 12 A MAX  
 AMPERE RATING WITH UL REGISTRATION: 3 A PER PORT / 9 A MAX  
 IP DEGREE OF PROTECTION: IP 67  
 TEMPERATURE RANGE: -25°C to + 85°C

THIS DRAWING CONTAINS INFORMATION THAT IS PROPRIETARY TO MOLEX INCORPORATED AND SHOULD NOT BE USED WITHOUT WRITTEN PERMISSION										
EC DESCRIPTION EC NO: 100589 DRWN: AAHLERS CHK'D: REV APPR: RSILLER	2015/06/11	QUALITY SYMBOLS ▽ = 0 ▽ = 0 ▽ = 0 ▽ = 0 ▽ = 0 ▽ = 0 ▽ = 0 ▽ = 0 ▽ = 0	GENERAL TOLERANCES (UNLESS SPECIFIED)		DIMENSION UNITS	SCALE				
	2015/07/02		ANGULAR TOL ± °		MM	1:1				
	RSILLER		4 PLACES ±		DRWN BY	DATE	MPIS M12 PNP NPN NOS 4P 4PT AC FE STR BK XM STA SINGLE			
	RSILLER		3 PLACES ±		AAHLERS	2015/04/01				
RSILLER	2 PLACES ±		CHK'D BY	DATE	PRODUCT CUSTOMER DRAWING					
RSILLER	1 PLACE ±		RSILLER	2015/05/20						
RSILLER	0 PLACES ± 0.25		APPR BY	DATE	SERIES	MATERIAL NUMBER	CUSTOMER			
RSILLER	DRAFT WHERE APPLICABLE MUST REMAIN WITHIN DIMENSIONS		DRIVING SIZE	THIRD ANGLE PROJECTION	120248	SEE TABLE 1	GENERAL MARKET			
A1	REV	▽ = 0			A3	DOCUMENT NUMBER		DOC TYPE	DOC PART	SHEET NUMBER
						1202480001	PSD	000	1 OF 2	

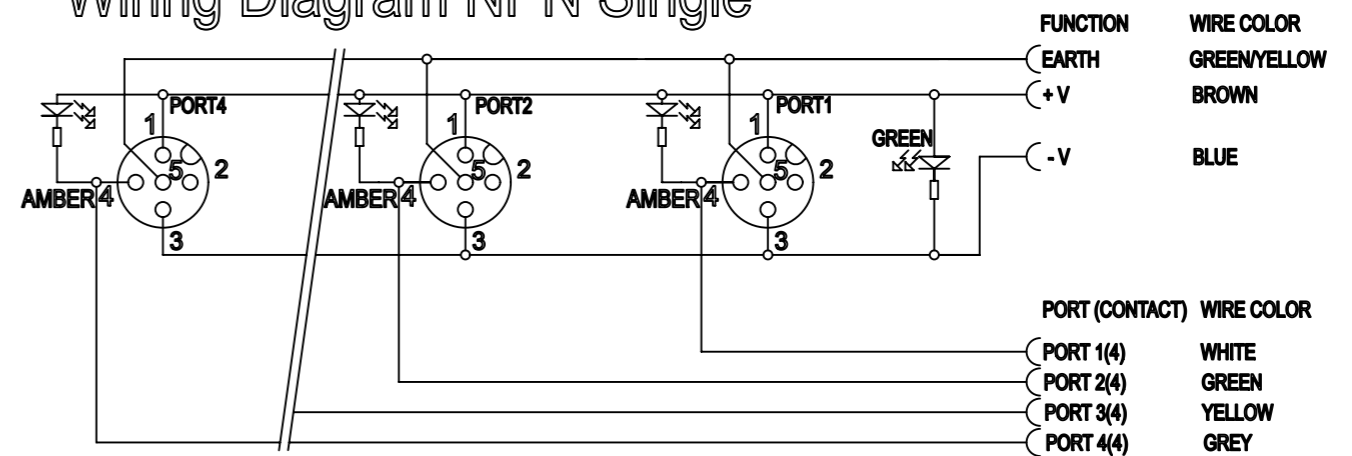
### Wiring Diagram NON LED Single



### Wiring Diagram PNP Single



### Wiring Diagram NPN Single



THIS DRAWING CONTAINS INFORMATION THAT IS PROPRIETARY TO MOLEX INCORPORATED AND SHOULD NOT BE USED WITHOUT WRITTEN PERMISSION									
EC DESCRIPTION EC NO: 100589 DRWN: AAHLERS CHK'D: REV	2015/06/11	RSILLER	QUALITY SYMBOLS	GENERAL TOLERANCES (UNLESS SPECIFIED) ANGULAR TOL ± ° 4 PLACES ± 3 PLACES ± 2 PLACES ± 1 PLACE ± 0 PLACES ± 0.25 DRAFT WHERE APPLICABLE MUST REMAIN WITHIN DIMENSIONS	DIMENSION UNITS	SCALE	 MPIS M12 PNP NPN NOS 4P 4PT AC FE STR BK XM STA SINGLE PRODUCT CUSTOMER DRAWING		
					MM	1:1			
					DRWN BY	DATE			
					AAHLERS	2015/04/01			
CHK'D BY	DATE	SERIES MATERIAL NUMBER CUSTOMER 120248 SEE TABLE 1 GENERAL MARKET DOCUMENT NUMBER DOC TYPE DOC PART SHEET NUMBER 1202480001 PSD 000 2 OF 2							
APPR BY	DATE								
RSILLER	2015/05/20								
DRAWING SIZE	THIRD ANGLE PROJECTION								
A1	REV				A3				