



Chipsmall Limited consists of a professional team with an average of over 10 year of expertise in the distribution of electronic components. Based in Hongkong, we have already established firm and mutual-benefit business relationships with customers from,Europe,America and south Asia,supplying obsolete and hard-to-find components to meet their specific needs.

With the principle of “Quality Parts,Customers Priority,Honest Operation,and Considerate Service”,our business mainly focus on the distribution of electronic components. Line cards we deal with include Microchip,ALPS,ROHM,Xilinx,Pulse,ON,Everlight and Freescale. Main products comprise IC,Modules,Potentiometer,IC Socket,Relay,Connector.Our parts cover such applications as commercial,industrial, and automotives areas.

We are looking forward to setting up business relationship with you and hope to provide you with the best service and solution. Let us make a better world for our industry!



Contact us

Tel: +86-755-8981 8866 Fax: +86-755-8427 6832

Email & Skype: info@chipsmall.com Web: www.chipsmall.com

Address: A1208, Overseas Decoration Building, #122 Zhenhua RD., Futian, Shenzhen, China

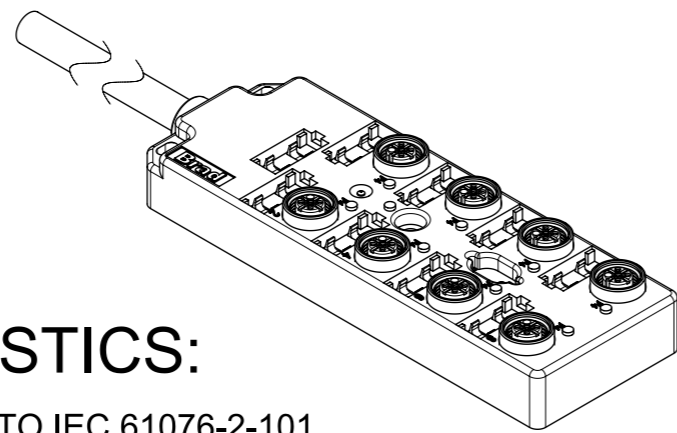
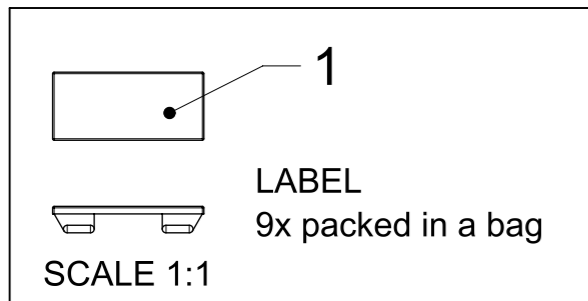
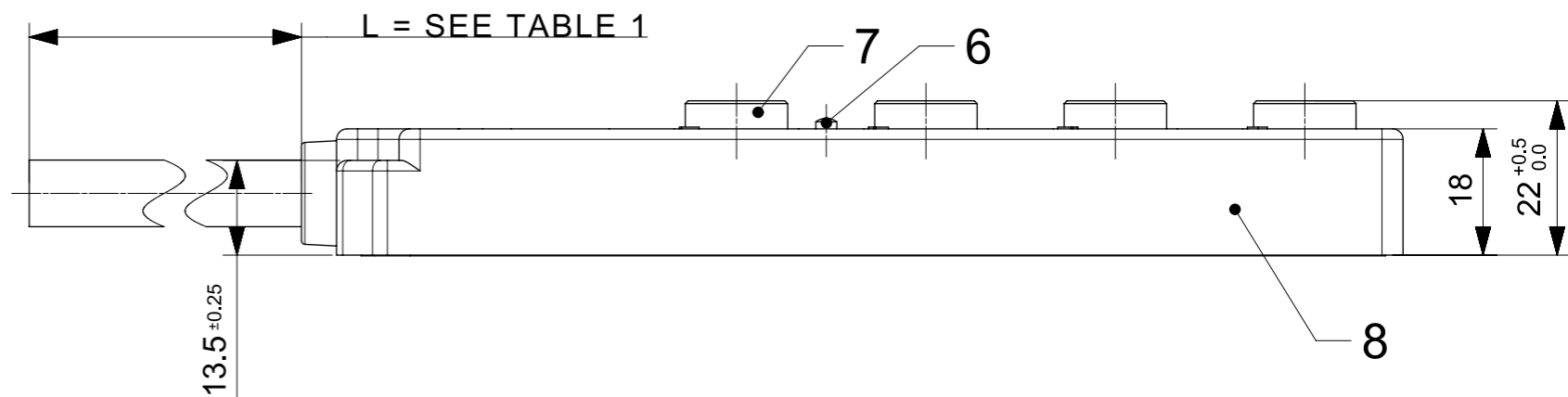
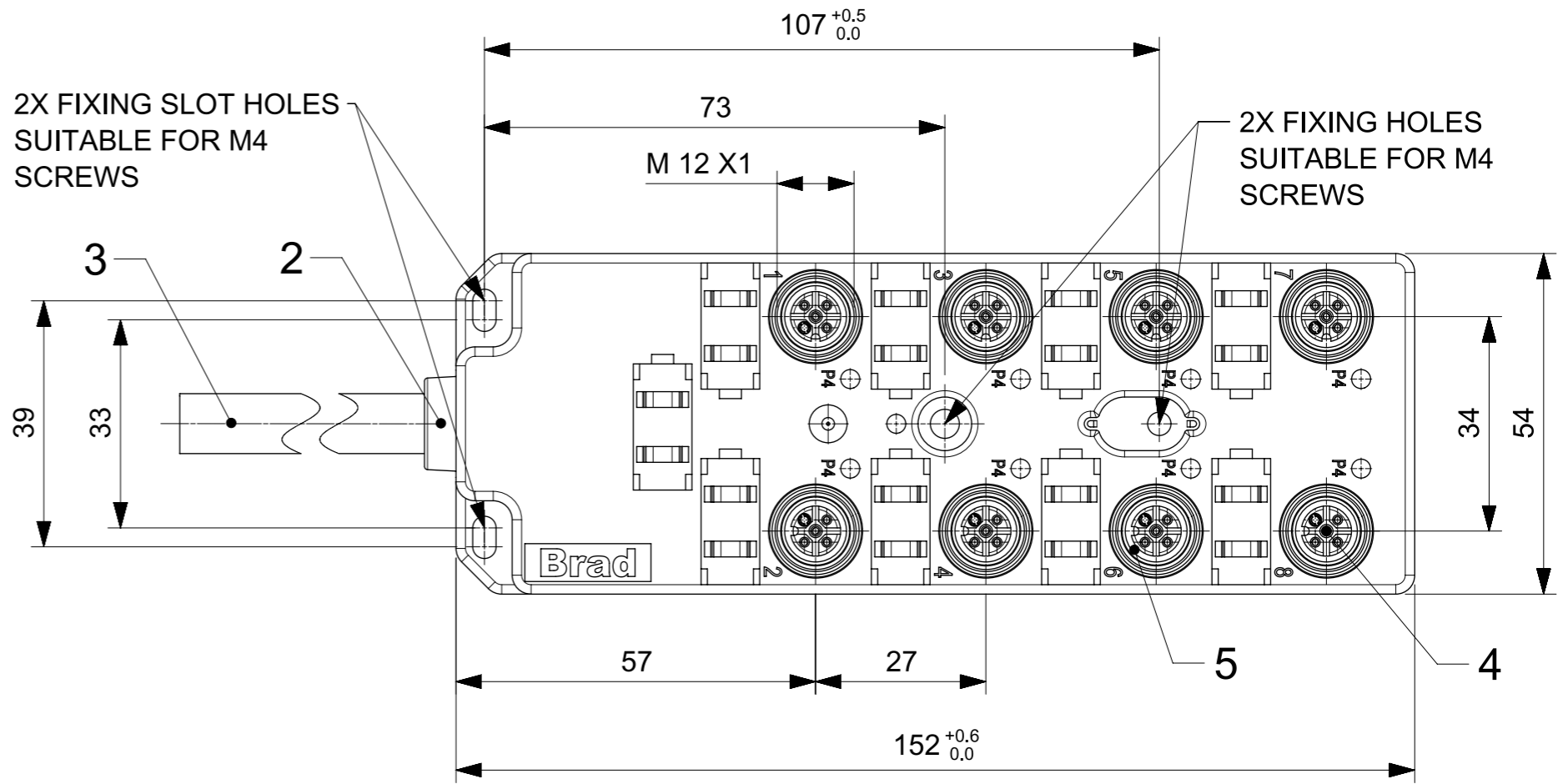


TABLE 1

MOLEX P/N	ENG. NO.	CABLE LENGTH (mm)	LED
1202480019	BTB8000-FBW-05	5000	NO
1202480020	BTB8000-FBW-10	10000	NO
1202480021	BTB8000-FBW-15	15000	NO
1202480022	BTB800P-FBW-05	5000	YES
1202480023	BTB800P-FBW-10	10000	YES
1202480024	BTB800P-FBW-15	15000	YES
1202480025	BTB400N-FBW-05	5000	YES
1202480026	BTB800N-FBW-10	10000	YES
1202480027	BTB800N-FBW-15	15000	YES

TABLE 2 BILL OF MATERIAL

ITEM	DESCRIPTION	MATERIAL	FINISH
1	LABEL	ABS	WHITE
2	CABLE PLATE	PBT	BLACK
3	CABLE	TPU BASED	BLACK
4	CONTACT	BRONZE	GOLD OVER NICKEL
5	O-RING	FPM	RED
6	LED	NO LED = PA	BLACK
		WITH LED = PA	TRANSPARENT
7	SHELL	BRASS	NICKEL PLATED
8	HOUSING	PBT	BLACK



GENERAL CHARACTERISTICS:

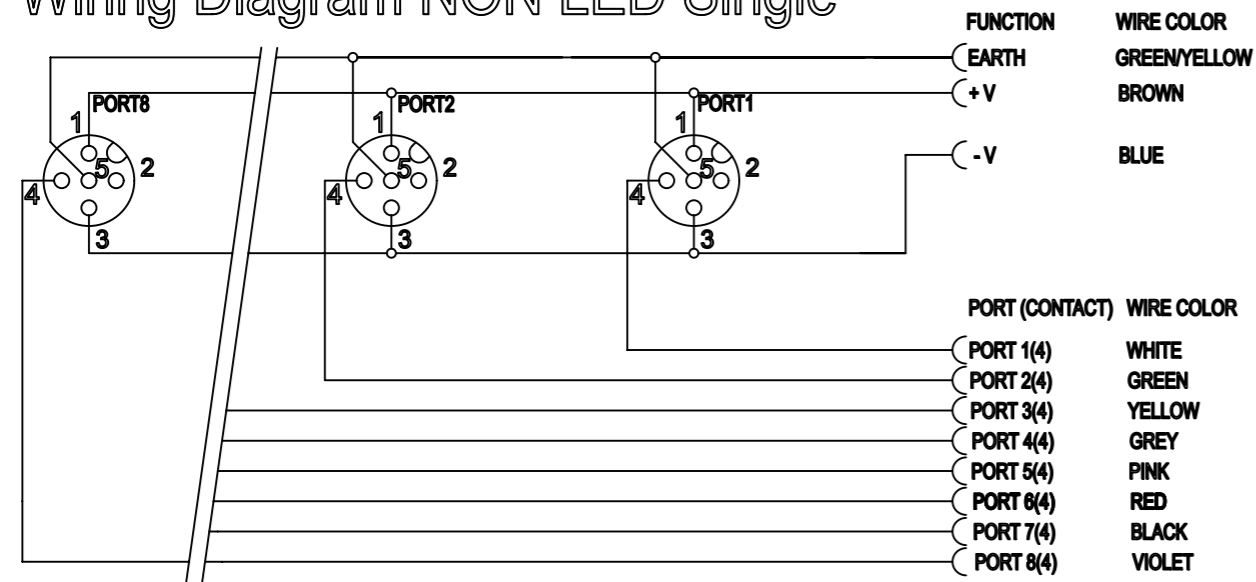
ELECTRICAL AND MECHANICAL DATA ACC. TO IEC 61076-2-101

NOMINAL VOLTAGE: 10-30 V DC
 AMPERE RATING: 4 A PER PORT / 12 A MAX
 AMPERE RATING WITH UL REGISTRATION: 3 A PER PORT / 9 A MAX
 IP DEGREE OF PROTECTION: IP 67
 TEMPERATURE RANGE: -25°C to + 85°C

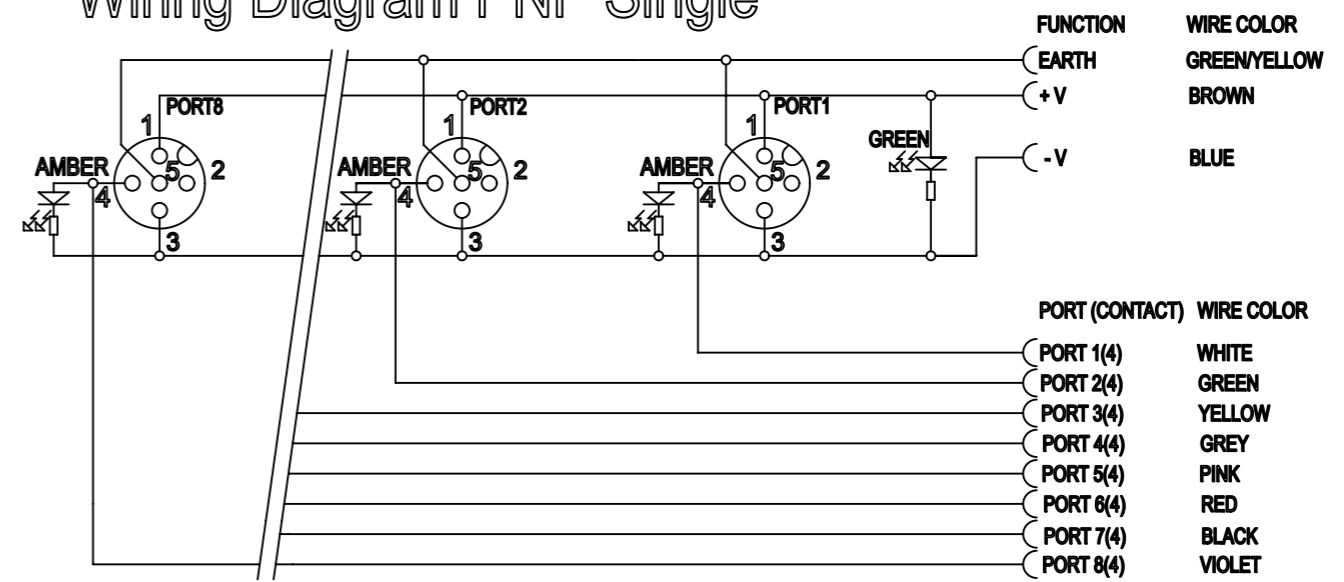
THIS DRAWING CONTAINS INFORMATION THAT IS PROPRIETARY TO MOLEX INCORPORATED AND SHOULD NOT BE USED WITHOUT WRITTEN PERMISSION

EC DESCRIPTION EC NO: 100589 DRWN: AAHLERS CHK'D: APPR: RSILLER REV: A1	2015/06/09 2015/07/02	QUALITY SYMBOLS ▽ = 0 ▽ = 0 ▽ = 0 ▼ = 0 ▽ = 0 ⊠ = 0 ■ = 0 ▽ = 0	GENERAL TOLERANCES (UNLESS SPECIFIED) ANGULAR TOL ± ° 4 PLACES ± 3 PLACES ± 2 PLACES ± 1 PLACE ± 0 PLACES ± 0.25 DRAFT WHERE APPLICABLE MUST REMAIN WITHIN DIMENSIONS	DIMENSION UNITS MM	SCALE 1:1	
	DRWN BY AAHLERS			DATE 2015/04/01	PRODUCT CUSTOMER DRAWING	
	APPR BY RSILLER			DATE 2015/05/20	SERIES: 120248 MATERIAL NUMBER: SEE TABLE 1 CUSTOMER: GENERAL MARKET	
	DRAWING SIZE A3			THIRD ANGLE PROJECTION	DOCUMENT NUMBER: 1202480019 DOC TYPE: PSD DOC PART: 000 SHEET NUMBER: 1 OF 2	

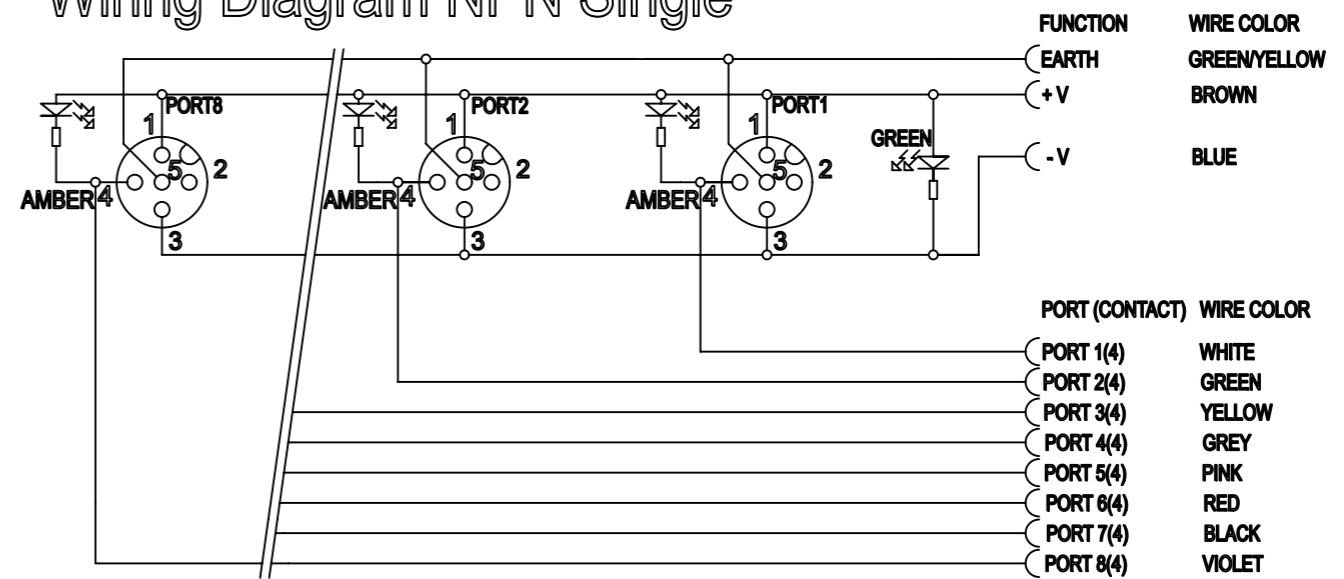
Wiring Diagram NON LED Single



Wiring Diagram PNP Single



Wiring Diagram NPN Single



THIS DRAWING CONTAINS INFORMATION THAT IS PROPRIETARY TO MOLEX INCORPORATED AND SHOULD NOT BE USED WITHOUT WRITTEN PERMISSION

EC DESCRIPTION EC NO: 100589 DRWN: AAHLERS CHK'D: APPR: RSILLER	2015/06/09	QUALITY SYMBOLS ▽ = 0 ▽ = 0 ▽ = 0 ▼ = 0 ▽ = 0 ☒ = 0 ■ = 0 ▽ = 0	GENERAL TOLERANCES (UNLESS SPECIFIED)		DIMENSION UNITS MM	SCALE 1:1						
	2015/07/02		ANGULAR TOL ± °		DRWN BY AAHLERS	DATE 2015/04/01						
			4 PLACES ±		APPR BY RSILLER		DATE 2015/05/20		PRODUCT CUSTOMER DRAWING			
			3 PLACES ±		DRAFT WHERE APPLICABLE MUST REMAIN WITHIN DIMENSIONS		DRAWING SIZE A3	THIRD ANGLE PROJECTION	SERIES 120248	MATERIAL NUMBER SEE TABLE 1	CUSTOMER GENERAL MARKET	
A1	REV				DOCUMENT NUMBER 1202480019		DOC TYPE PSD	DOC PART 000	SHEET NUMBER 2 OF 2			