



Chipsmall Limited consists of a professional team with an average of over 10 year of expertise in the distribution of electronic components. Based in Hongkong, we have already established firm and mutual-benefit business relationships with customers from,Europe,America and south Asia,supplying obsolete and hard-to-find components to meet their specific needs.

With the principle of "Quality Parts,Customers Priority,Honest Operation,and Considerate Service",our business mainly focus on the distribution of electronic components. Line cards we deal with include Microchip,ALPS,ROHM,Xilinx,Pulse,ON,Everlight and Freescale. Main products comprise IC,Modules,Potentiometer,IC Socket,Relay,Connector.Our parts cover such applications as commercial,industrial, and automotives areas.

We are looking forward to setting up business relationship with you and hope to provide you with the best service and solution. Let us make a better world for our industry!



Contact us

Tel: +86-755-8981 8866 Fax: +86-755-8427 6832

Email & Skype: info@chipsmall.com Web: www.chipsmall.com

Address: A1208, Overseas Decoration Building, #122 Zhenhua RD., Futian, Shenzhen, China

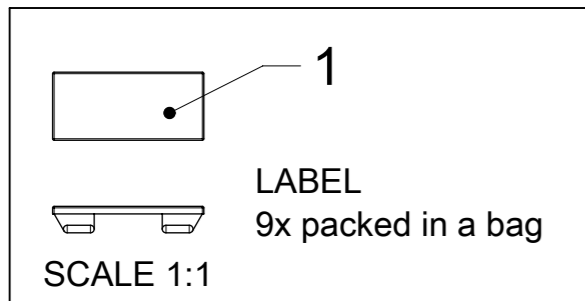


TABLE 1

MOLEX P/N	ENG. NO.	CABLE LENGTH (mm)	LED
1202480019	BTB8000-FBW-05	5000	NO
1202480020	BTB8000-FBW-10	10000	NO
1202480021	BTB8000-FBW-15	15000	NO
1202480022	BTB800P-FBW-05	5000	YES
1202480023	BTB800P-FBW-10	10000	YES
1202480024	BTB800P-FBW-15	15000	YES
1202480521	BTB800P-FBW-20	20000	YES
1202480025	BTB800N-FBW-05	5000	YES
1202480026	BTB800N-FBW-10	10000	YES
1202480027	BTB800N-FBW-15	15000	YES

TABLE 2 BILL OF MATERIAL

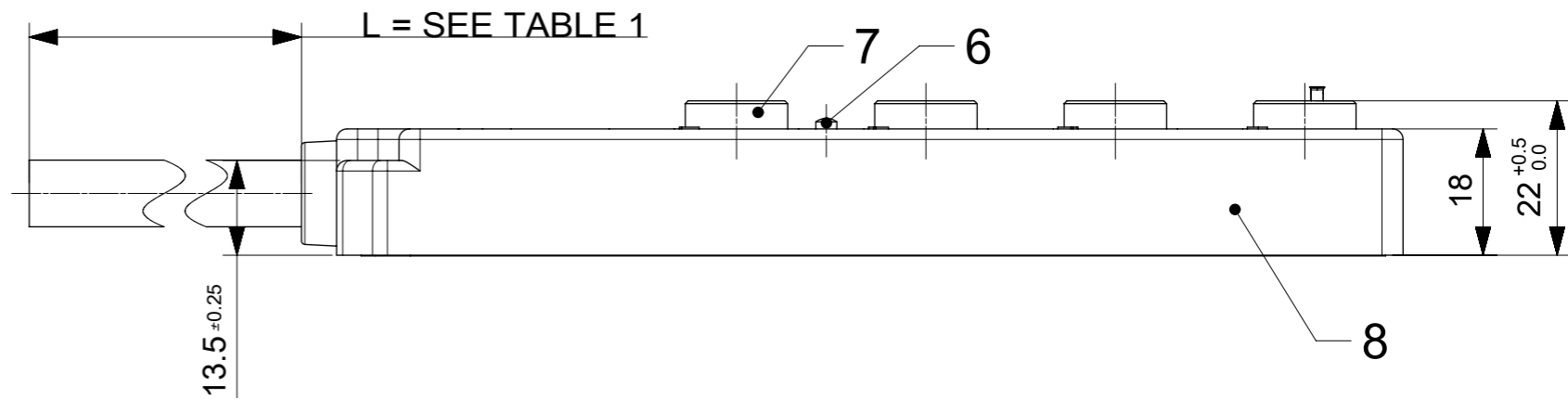
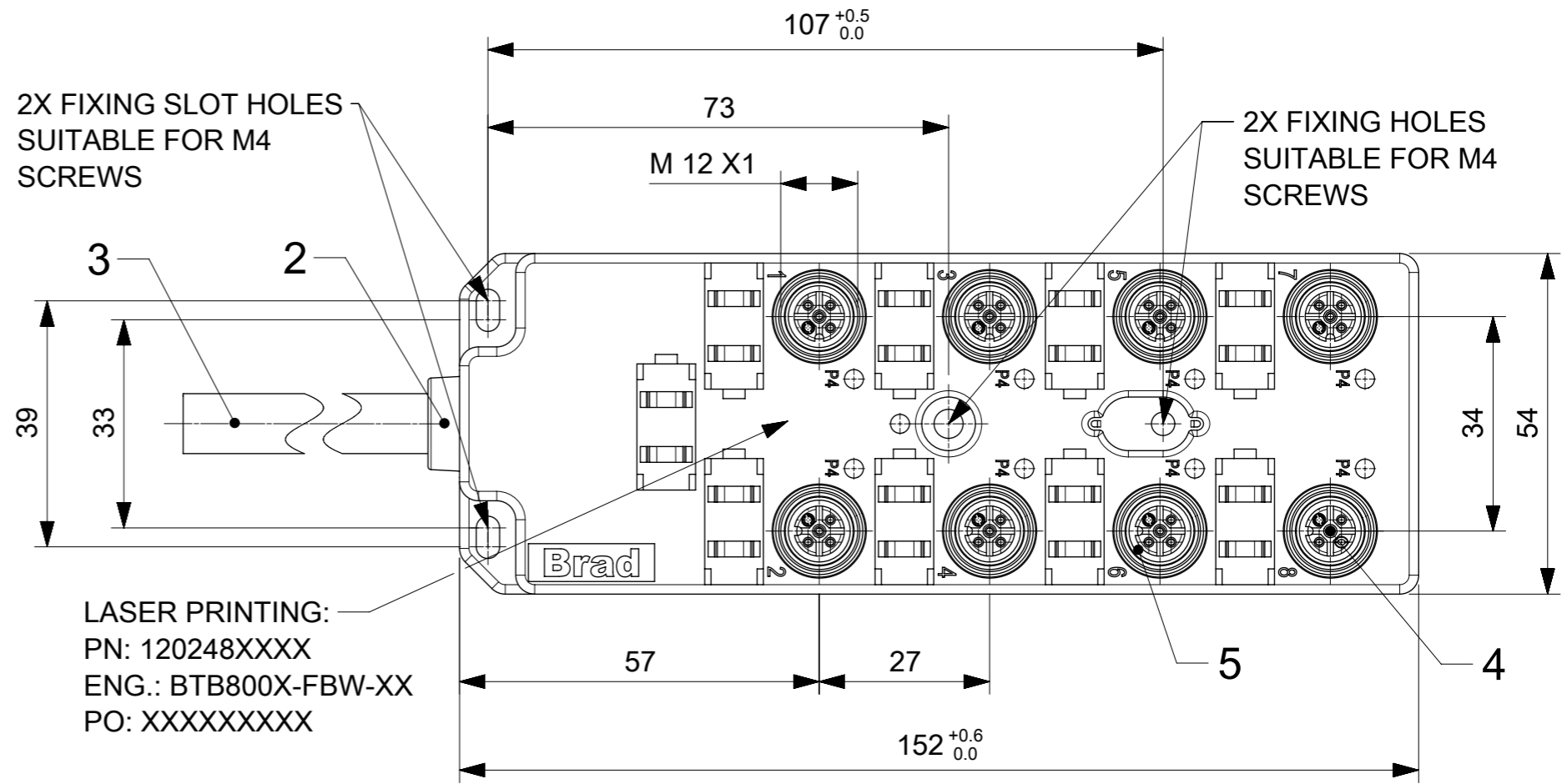
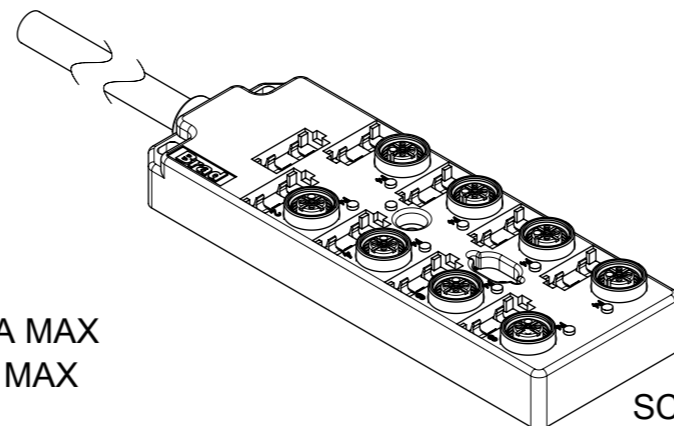
ITEM	DESCRIPTION	MATERIAL	FINISH
1	LABEL	ABS	WHITE
2	CABLE PLATE	PBT	BLACK
3	CABLE	TPU BASED	BLACK
4	CONTACT	BRONZE	GOLD OVER NICKEL
5	O-RING	FPM	RED
6	LED	NO LED = PA	BLACK
		WITH LED = PA	TRANSPARENT
7	SHELL	BRASS	NICKEL PLATED
8	HOUSING	PBT	BLACK



GENERAL CHARACTERISTICS:

ELECTRICAL AND MECHANICAL DATA ACC. TO IEC 61076-2-101

NOMINAL VOLTAGE: 10-30 V DC
 AMPERE RATING: 4 A PER PORT / 12 A MAX
 AMPERE RATING WITH UL REGISTRATION: 3 A PER PORT / 9 A MAX
 IP DEGREE OF PROTECTION: IP 67
 TEMPERATURE RANGE: -25°C to + 85°C



SYMBOLS	THIS DRAWING CONTAINS INFORMATION THAT IS PROPRIETARY TO MOLEX ELECTRONIC TECHNOLOGIES, LLC AND SHOULD NOT BE USED WITHOUT WRITTEN PERMISSION	
DIMENSION UNITS	SCALE	CURRENT REV DESC: LASER PRINTING ADDED
▽ = 0	mm	
▽ = 0	GENERAL TOLERANCES (UNLESS SPECIFIED)	
▽ = 0	ANGULAR TOL ±	°
▽ = 0	4 PLACES ±	
▽ = 0	3 PLACES ±	
▽ = 0	2 PLACES ±	
▽ = 0	1 PLACE ±	
▽ = 0	0 PLACES ±	0.25
■ = 0	DRAFT WHERE APPLICABLE MUST REMAIN WITHIN DIMENSIONS	
▽ = 0	THIRD ANGLE PROJECTION	DRAWING SERIES MATERIAL NUMBER CUSTOMER SHEET NUMBER
	A3-SIZE	120248 SEE TABLE 1 GENERAL MARKET 1 OF 2

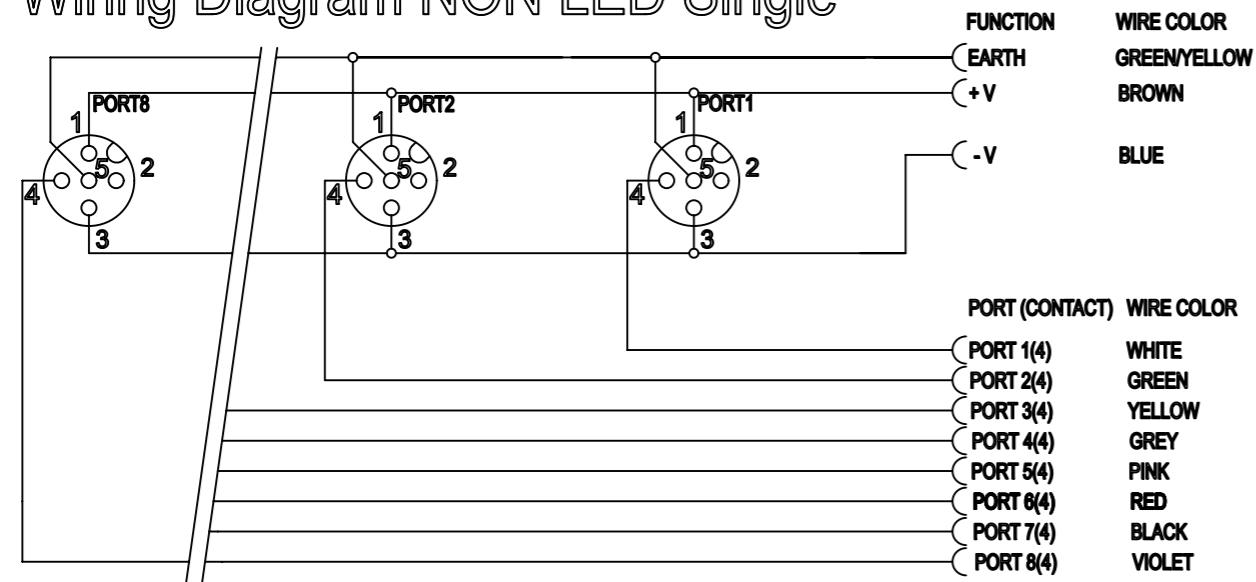
molex

MPIS M12 PNP NPN NOS 4P 8PT AC FE STR BK XM STA SINGLE

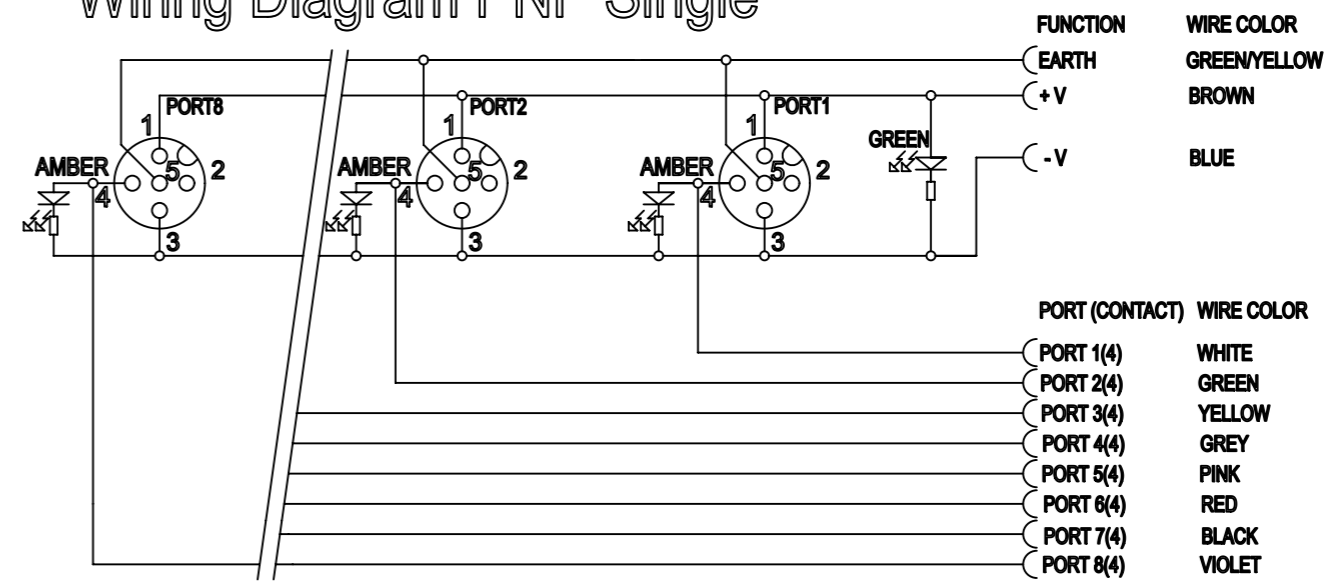
PRODUCT CUSTOMER DRAWING

DOCUMENT NUMBER: 1202480019
 DOC TYPE: PSD
 DOC PART: 000
 REVISION: A4

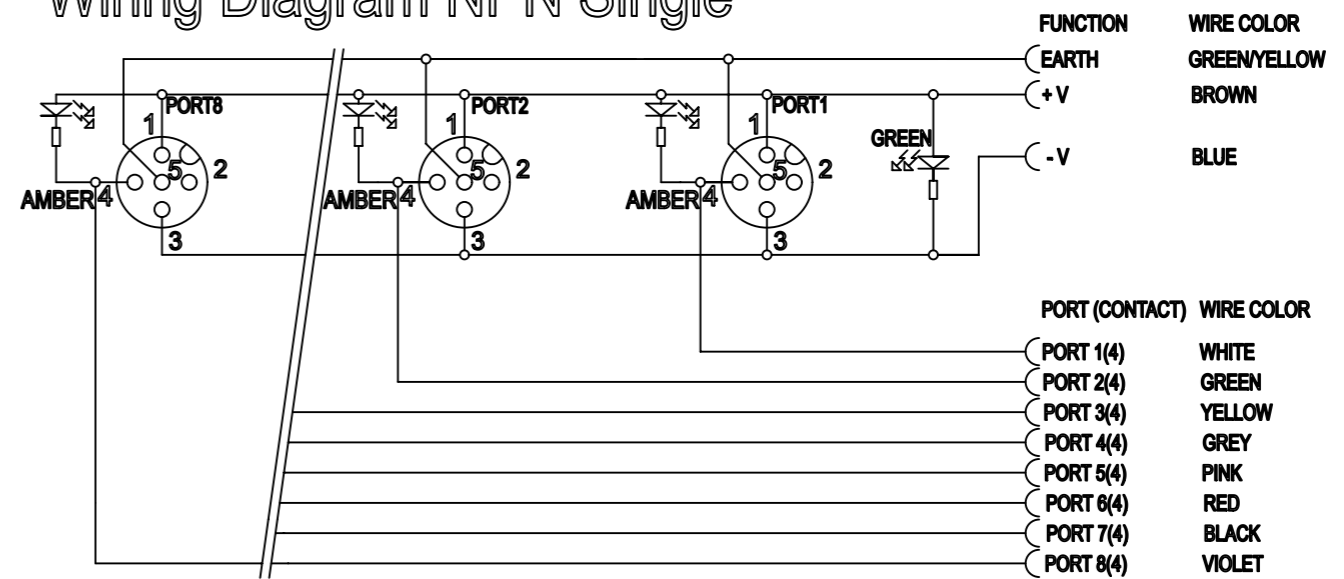
Wiring Diagram NON LED Single



Wiring Diagram PNP Single



Wiring Diagram NPN Single



SYMBOLS DIMENSION UNITS: mm SCALE: 1:1 GENERAL TOLERANCES (UNLESS SPECIFIED): ANGULAR TOL: ± ° 4 PLACES: ± 3 PLACES: ± 2 PLACES: ± 1 PLACE: ± 0 PLACES: ± 0.25 DRAFT WHERE APPLICABLE MUST REMAIN WITHIN DIMENSIONS THIRD ANGLE PROJECTION:	THIS DRAWING CONTAINS INFORMATION THAT IS PROPRIETARY TO MOLEX ELECTRONIC TECHNOLOGIES, LLC AND SHOULD NOT BE USED WITHOUT WRITTEN PERMISSION CURRENT REV DESC: LASER PRINTING ADDED			
	EC NO: 176850 DRWN: MKOWALCZYK01 2018/05/22 CHK'D: MIWASIECZKO 2018/05/23 APPR: MIWASIECZKO 2018/05/23			
	INITIAL REVISION: DRWN: AAHLERS 2015/04/01 APPR: RSILLER 2015/05/20		PRODUCT CUSTOMER DRAWING	
	DOCUMENT NUMBER: 1202480019 DOC TYPE: PSD DOC PART: 000 REVISION: A4		MATERIAL NUMBER: SEE TABLE 1 CUSTOMER: GENERAL MARKET SHEET NUMBER: 2 OF 2	