



Chipsmall Limited consists of a professional team with an average of over 10 year of expertise in the distribution of electronic components. Based in Hongkong, we have already established firm and mutual-benefit business relationships with customers from,Europe,America and south Asia,supplying obsolete and hard-to-find components to meet their specific needs.

With the principle of "Quality Parts,Customers Priority,Honest Operation,and Considerate Service",our business mainly focus on the distribution of electronic components. Line cards we deal with include Microchip,ALPS,ROHM,Xilinx,Pulse,ON,Everlight and Freescale. Main products comprise IC,Modules,Potentiometer,IC Socket,Relay,Connector.Our parts cover such applications as commercial,industrial, and automotives areas.

We are looking forward to setting up business relationship with you and hope to provide you with the best service and solution. Let us make a better world for our industry!



Contact us

Tel: +86-755-8981 8866 Fax: +86-755-8427 6832

Email & Skype: info@chipsmall.com Web: www.chipsmall.com

Address: A1208, Overseas Decoration Building, #122 Zhenhua RD., Futian, Shenzhen, China

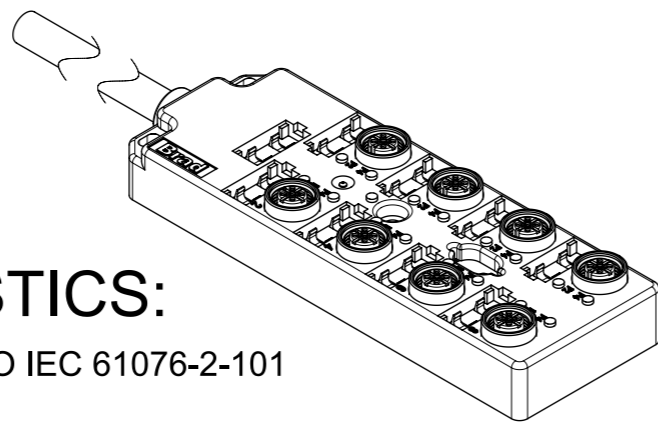
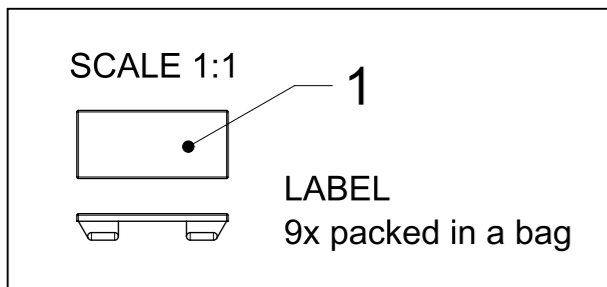
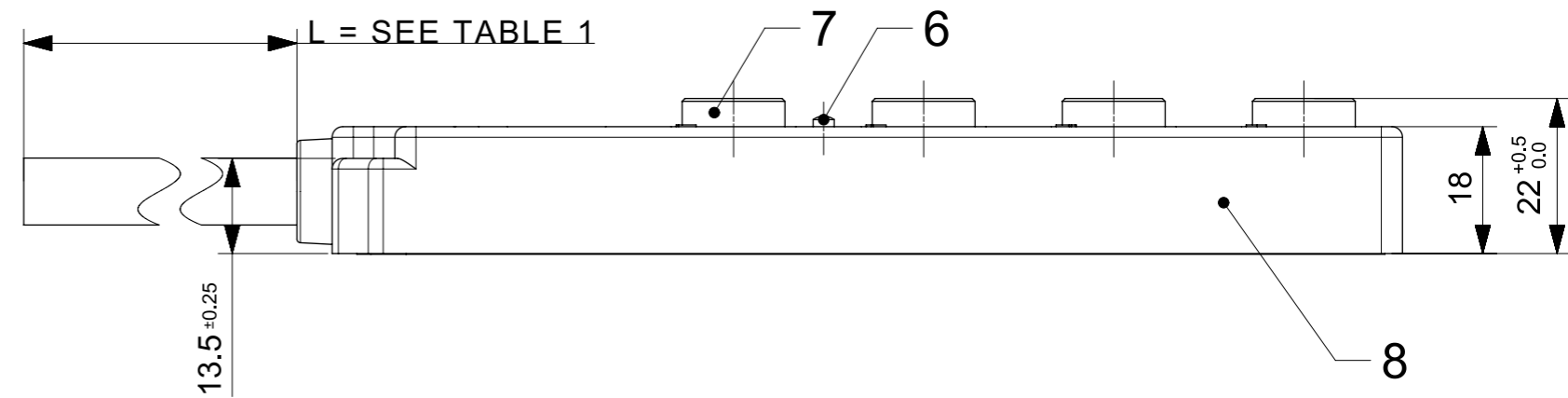
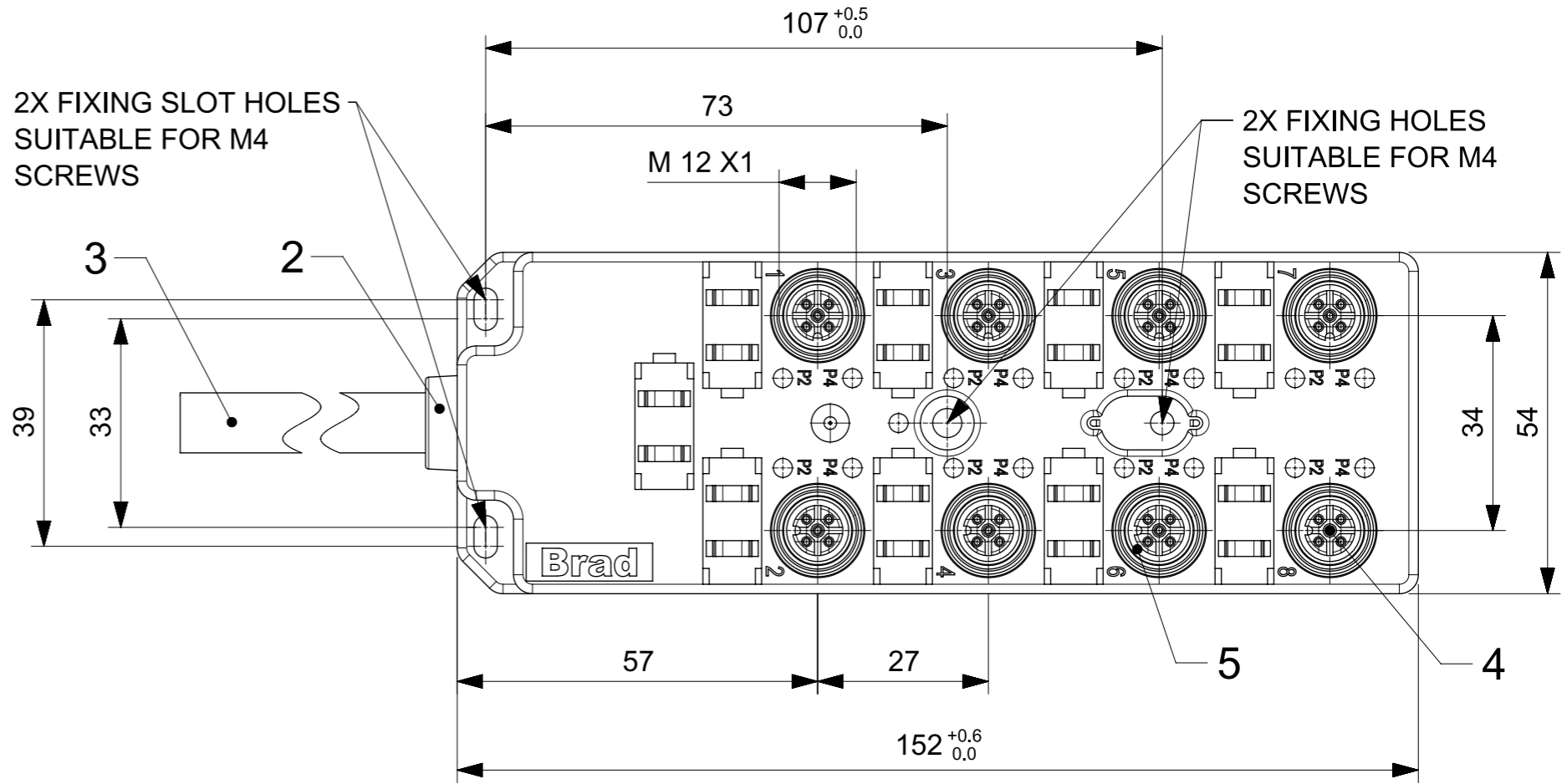


TABLE 1

MOLEX P/N	ENG. NO.	CABLE LENGTH (mm)	LED
1202480046	BTB8050-FBW-05	5000	NO
1202480047	BTB8050-FBW-10	10000	NO
1202480048	BTB8050-FBW-15	15000	NO
1202480049	BTB805P-FBW-05	5000	YES
1202480050	BTB805P-FBW-10	10000	YES
1202480051	BTB805P-FBW-15	15000	YES
1202480052	BTB805N-FBW-05	5000	YES
1202480053	BTB805N-FBW-10	10000	YES
1202480054	BTB805N-FBW-15	15000	YES

TABLE 2 BILL OF MATERIAL

ITEM	DESCRIPTION	MATERIAL	FINISH
1	LABEL	ABS	WHITE
2	CABLE PLATE	PBT	BLACK
3	CABLE	TPU BASED	BLACK
4	CONTACT	BRONZE	GOLD OVER NICKEL
5	O-RING	FPM	RED
6	LED	NON LED = PA	BLACK
		WITH LED = PA	TRANSPARENT
7	SHELL	BRASS	NICKEL PLATED
8	HOUSING	PBT	BLACK



GENERAL CHARACTERISTICS:

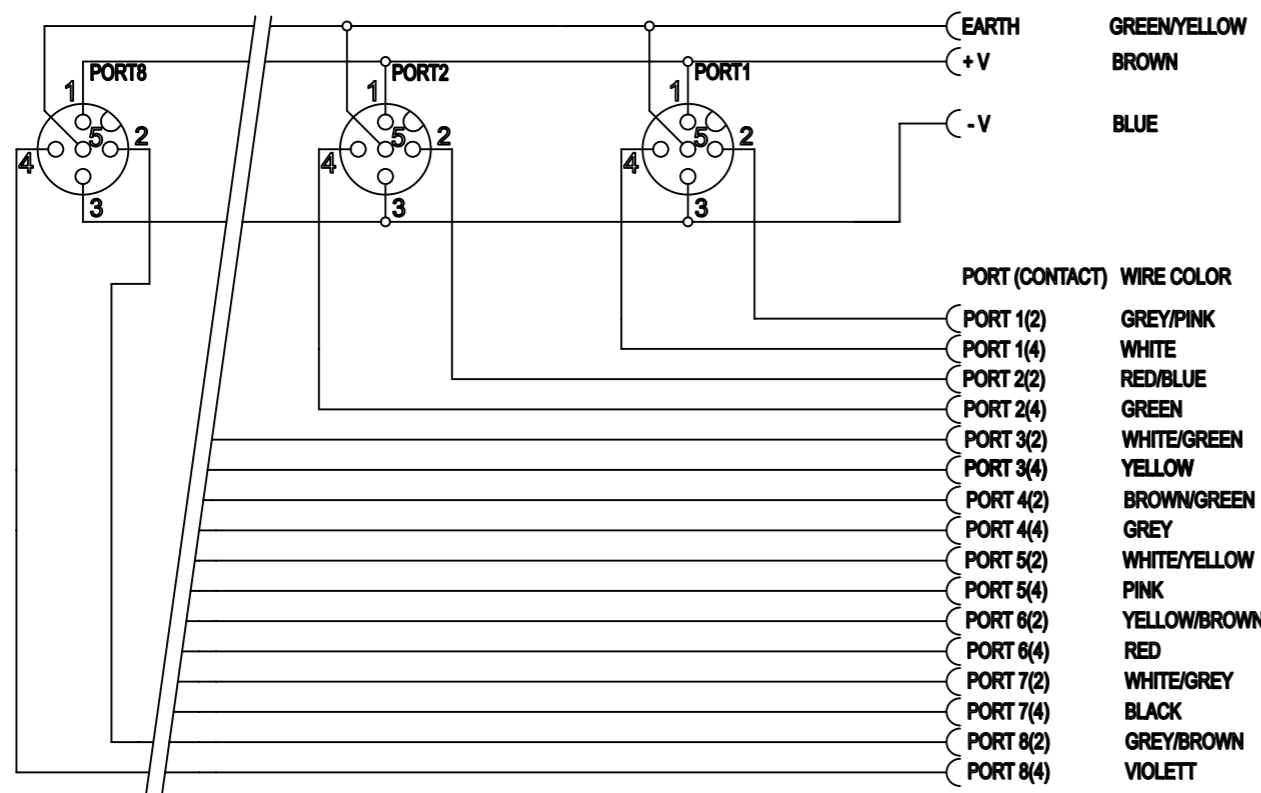
ELECTRICAL AND MECHANICAL DATA ACC. TO IEC 61076-2-101

NOMINAL VOLTAGE: 10-30 V DC
 AMPERE RATING: 4 A PER PORT / 12 A MAX
 AMPERE RATING WITH UL REGISTRATION: 3 A PER PORT / 9 A MAX
 IP DEGREE OF PROTECTION: IP 67
 TEMPERATURE RANGE: -25°C to + 85°C

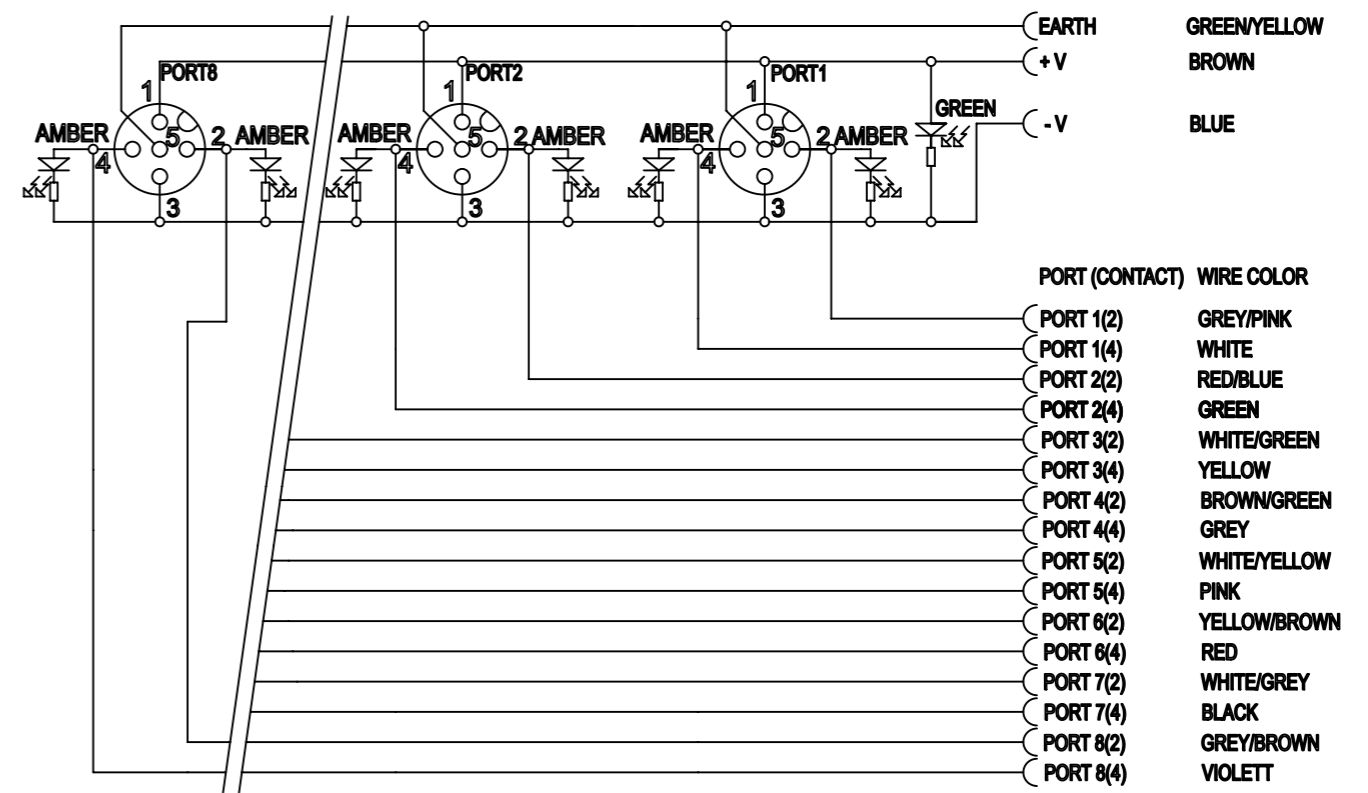
THIS DRAWING CONTAINS INFORMATION THAT IS PROPRIETARY TO MOLEX INCORPORATED AND SHOULD NOT BE USED WITHOUT WRITTEN PERMISSION

EC DESCRIPTION EC NO: 100589 DRWN: AAHLERS CHK'D: APPR: RSILLER	2015/06/09 2015/07/02	QUALITY SYMBOLS ▽ = 0 ▽ = 0 ▽ = 0 ▼ = 0 ▽ = 0 ⊠ = 0 ■ = 0 ▽ = 0	GENERAL TOLERANCES (UNLESS SPECIFIED) ANGULAR TOL ± ° 4 PLACES ± 3 PLACES ± 2 PLACES ± 1 PLACE ± 0 PLACES ± 0.25 DRAFT WHERE APPLICABLE MUST REMAIN WITHIN DIMENSIONS	DIMENSION UNITS MM	SCALE 1:1			
	DRWN BY AAHLERS			DATE 2015/04/01	PRODUCT CUSTOMER DRAWING			
	APPR BY RSILLER			DATE 2015/05/20	SERIES 120248		MATERIAL NUMBER SEE TABLE 1	CUSTOMER GENERAL MARKET
	DRAWING SIZE A3			THIRD ANGLE PROJECTION	DOCUMENT NUMBER 1202480046		DOC TYPE PSD	DOC PART 000

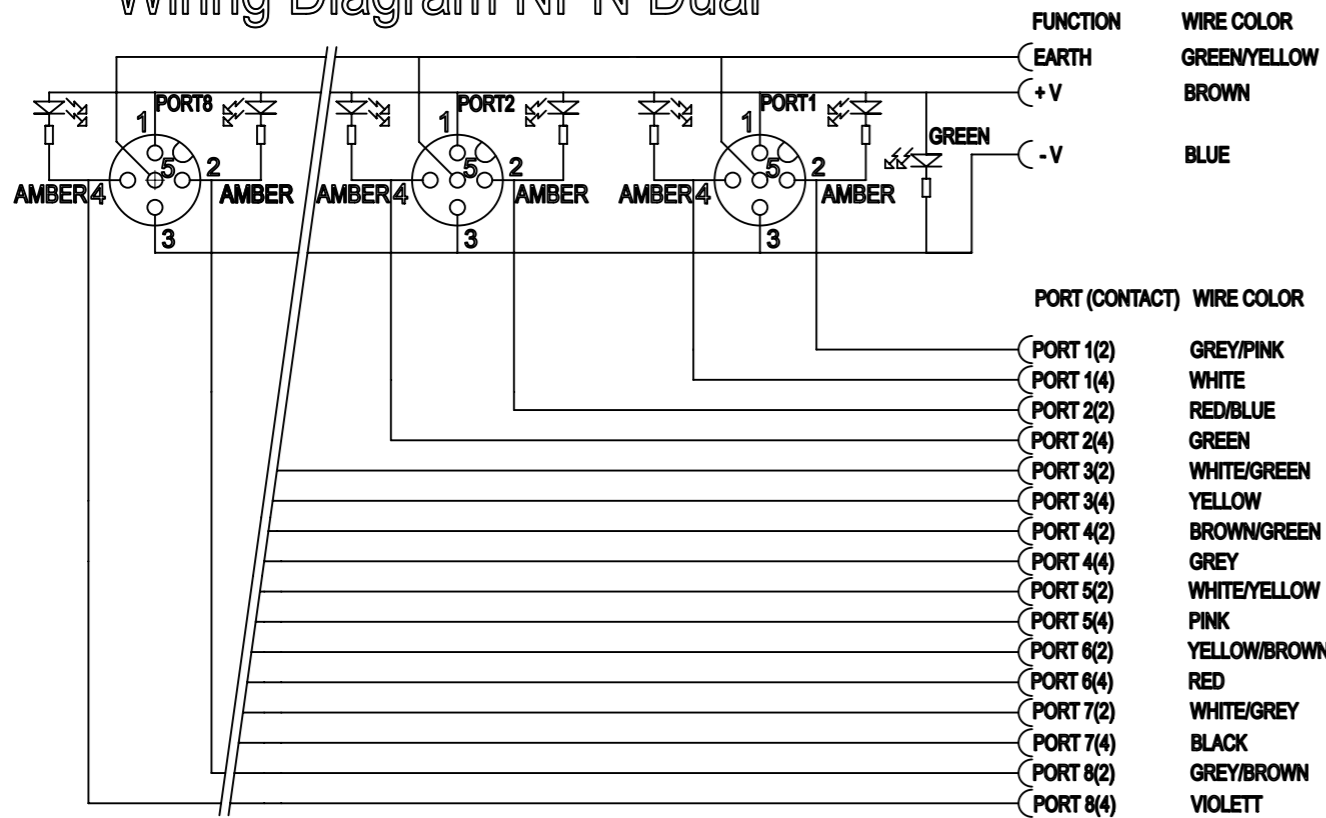
Wiring Diagram NON LED Dual



Wiring Diagram PNP Dual



Wiring Diagram NPN Dual



THIS DRAWING CONTAINS INFORMATION THAT IS PROPRIETARY TO MOLEX INCORPORATED AND SHOULD NOT BE USED WITHOUT WRITTEN PERMISSION

EC NO: 100589 DRWN: AAHLERS CHK'D: APPR: RSILLER	2015/06/09	QUALITY SYMBOLS ▽ = 0 ▽ = 0 ▽ = 0 ▽ = 0 ▽ = 0 ▽ = 0 ▽ = 0 ▽ = 0 ▽ = 0	GENERAL TOLERANCES (UNLESS SPECIFIED)		DIMENSION UNITS	SCALE				
	2015/07/02		ANGULAR TOL ± °		MM	1:1				
	RSILLER		RSILLER	4 PLACES ±	3 PLACES ±	AAHLERS	2015/04/01	MPIS M12 PNP NOS 5P 8PT AC FE STR XM STA DUAL		
	A1		REV	2 PLACES ±	1 PLACE ±	CHK'D BY	DATE	PRODUCT CUSTOMER DRAWING		
DRAFT WHERE APPLICABLE MUST REMAIN WITHIN DIMENSIONS			0 PLACES ± 0.25	DRAWING SIZE	THIRD ANGLE PROJECTION	SERIES		MATERIAL NUMBER	CUSTOMER	
				A3		120248	SEE TABLE 1	GENERAL MARKET		
						DOCUMENT NUMBER		DOC TYPE	DOC PART	SHEET NUMBER
						1202480046	PSD	000	2 OF 2	