



Chipsmall Limited consists of a professional team with an average of over 10 year of expertise in the distribution of electronic components. Based in Hongkong, we have already established firm and mutual-benefit business relationships with customers from,Europe,America and south Asia,supplying obsolete and hard-to-find components to meet their specific needs.

With the principle of “Quality Parts,Customers Priority,Honest Operation,and Considerate Service”,our business mainly focus on the distribution of electronic components. Line cards we deal with include Microchip,ALPS,ROHM,Xilinx,Pulse,ON,Everlight and Freescale. Main products comprise IC,Modules,Potentiometer,IC Socket,Relay,Connector.Our parts cover such applications as commercial,industrial, and automotives areas.

We are looking forward to setting up business relationship with you and hope to provide you with the best service and solution. Let us make a better world for our industry!



## Contact us

Tel: +86-755-8981 8866 Fax: +86-755-8427 6832

Email & Skype: info@chipsmall.com Web: www.chipsmall.com

Address: A1208, Overseas Decoration Building, #122 Zhenhua RD., Futian, Shenzhen, China



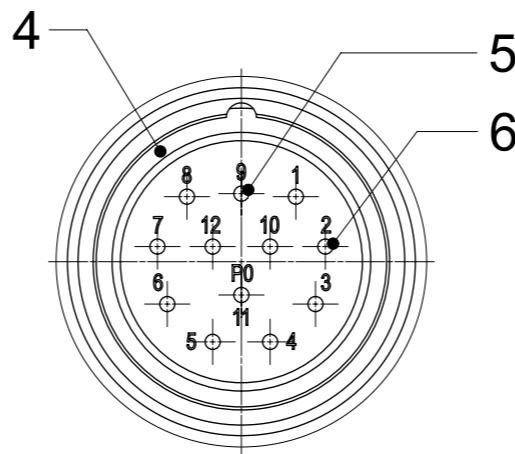
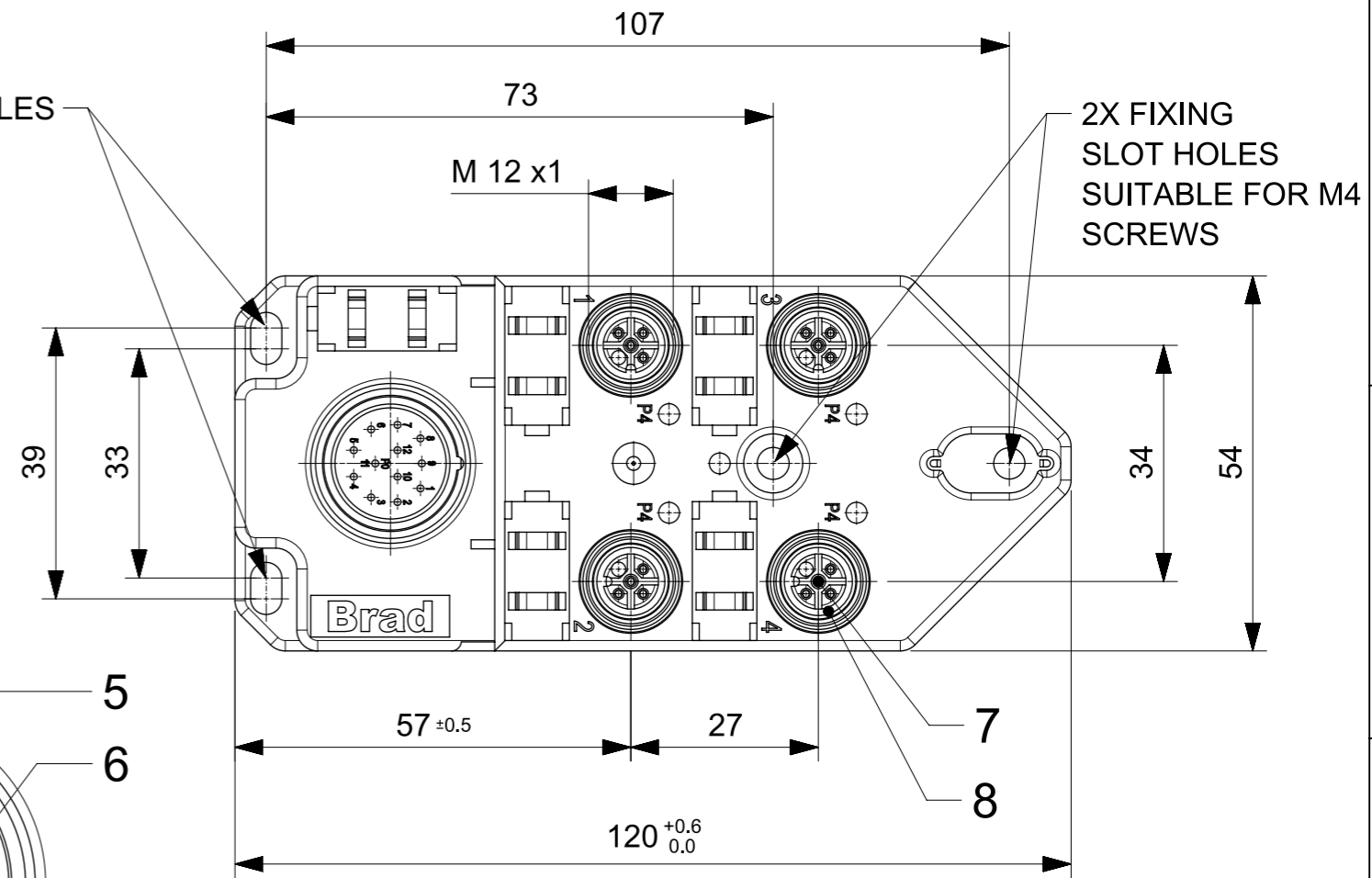
TABLE 1

MOLEX P/N	ENG. NO.	LED
1202480055	BTB4010-FBC	NO
1202480056	BTB401P-FBC	YES

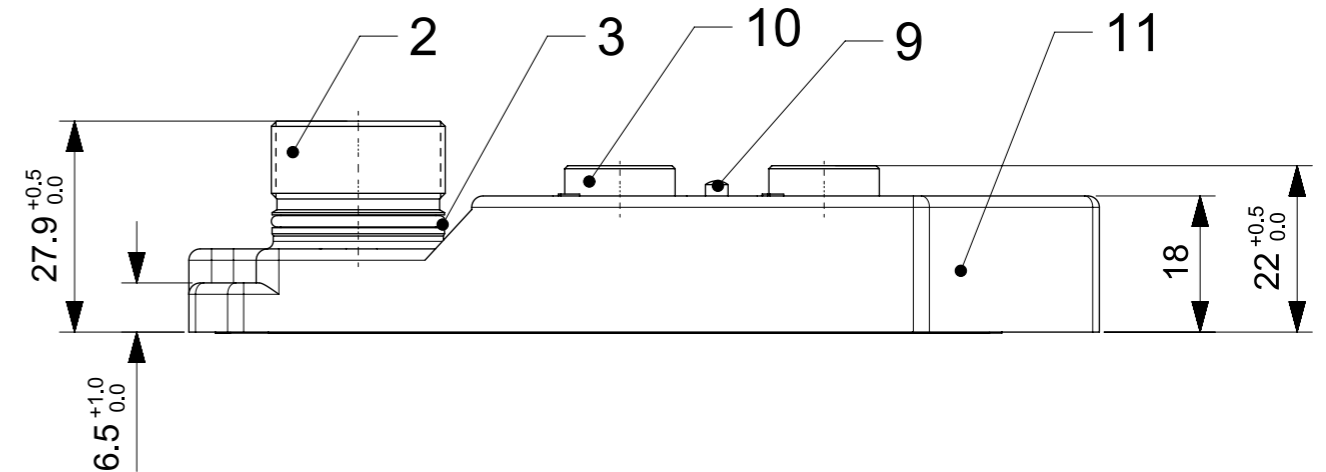
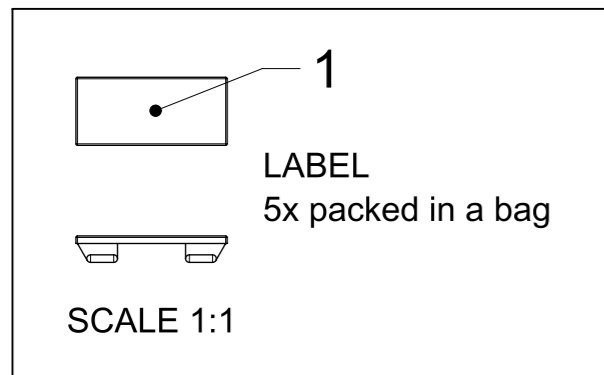
TABLE 2 BILL OF MATERIAL

ITEM	DESCRIPTION	MATERIAL	FINISH
1	LABEL	ABS	WHITE
2	SHELL	BRASS	NICKEL PLATED
3	O-RING	NBR	BLACK
4	O-RING	NBR	BLACK
5	CONTACT	BRASS	GOLD OVER NICKEL
6	CONTACT	BRASS	GOLD OVER NICKEL
7	CONTACT	BRONZE	GOLD OVER NICKEL
8	O-RING	FPM	RED
9	LED	NO LED = PA	BLACK
		WITH LED = PA	TRANSPARENT
10	SHELL	BRASS	NICKEL PLATED
11	HOUSING	PBT	BLACK

2X FIXING SLOT HOLES  
SUITABLE FOR M4  
SCREWS



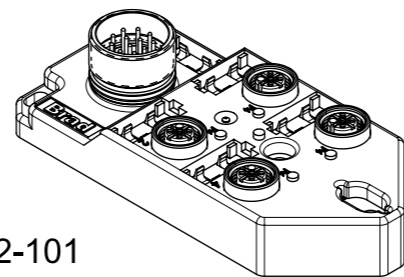
SCALE  
2:1



GENERAL CHARACTERISTICS:

ELECTRICAL AND MECHANICAL DATA ACC. TO IEC 61076-2-101

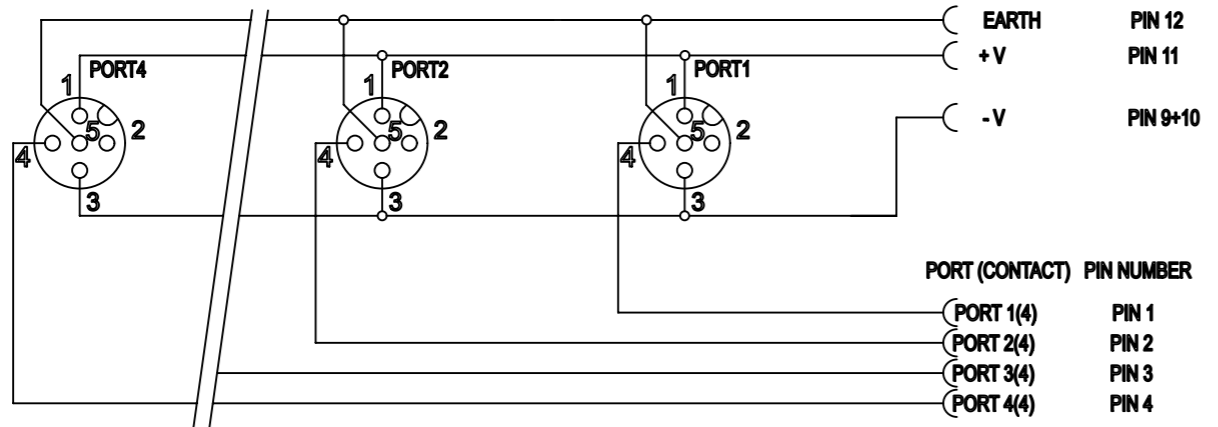
NOMINAL VOLTAGE: 10-30 V DC  
 AMPERE RATING: 4 A PER PORT / 12 A MAX  
 AMPERE RATING WITH UL REGISTRATION: 3 A PER PORT / 9 A MAX  
 IP DEGREE OF PROTECTION: IP 67  
 TEMPERATURE RANGE: -25°C to + 85°C



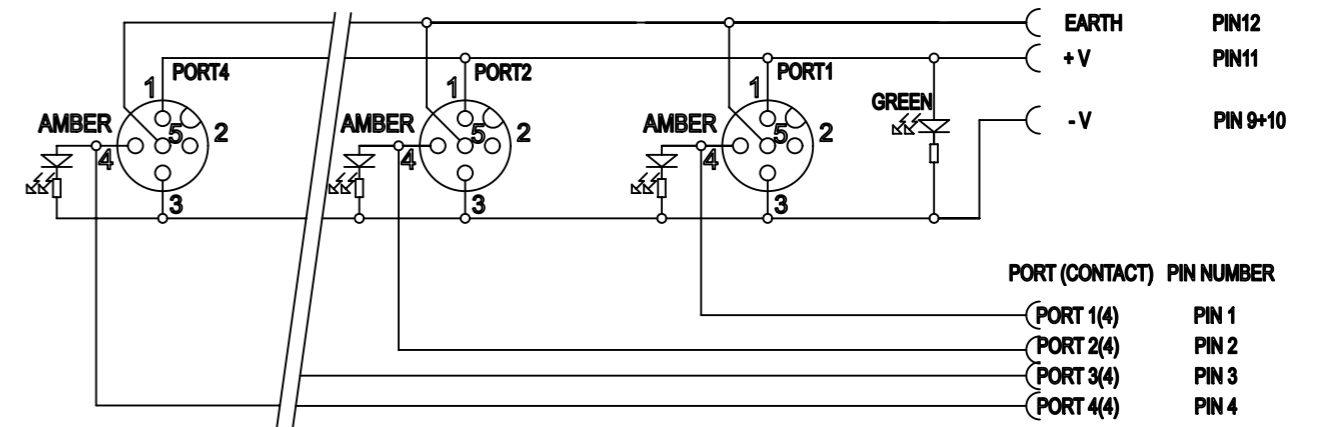
SCALE  
1:2

THIS DRAWING CONTAINS INFORMATION THAT IS PROPRIETARY TO MOLEX INCORPORATED AND SHOULD NOT BE USED WITHOUT WRITTEN PERMISSION												
EC DESCRIPTION EC NO: 100591 DRWN: AAHLERS CHK'D: REV APPR: RSILLER	2015/06/09	QUALITY SYMBOLS ▽ = 0 ▽ = 0 ▽ = 0 ▼ = 0 ▽ = 0 ☒ = 0 ■ = 0 ▽ = 0	GENERAL TOLERANCES (UNLESS SPECIFIED)		DIMENSION UNITS	SCALE						
	2015/07/02		ANGULAR TOL ± °		MM	1:1						
	4 PLACES ±		DRWN BY		DATE	MPIS M12 PNP NPN NOS 4P 4PT 12P M23 BK XM STA SINGLE						
	3 PLACES ±		AAHLERS		2015/04/02							
2 PLACES ±	CHK'D BY		DATE	PRODUCT CUSTOMER DRAWING								
1 PLACE ±	RSILLER		2015/05/20									
0 PLACES ± 0.25	DRAFT WHERE APPLICABLE MUST REMAIN WITHIN DIMENSIONS		DRAWING SIZE	THIRD ANGLE PROJECTION	SERIES	MATERIAL NUMBER	CUSTOMER					
A1	A3	A3		A3		120248	SEE TABLE 1	GENERAL MARKET				
						DOCUMENT NUMBER	DOC TYPE	DOC PART	SHEET NUMBER			
						1202480055	PSD	000	1 OF 2			

# Wiring Diagram NON LED



# Wiring Diagram PNP



THIS DRAWING CONTAINS INFORMATION THAT IS PROPRIETARY TO MOLEX INCORPORATED AND SHOULD NOT BE USED WITHOUT WRITTEN PERMISSION

EC DESCRIPTION EC NO: 100591 DRWN: AAHLERS CHK'D: APPR: RSILLER	2015/06/09 2015/07/02	QUALITY SYMBOLS ▽ = 0 ▽ = 0 ▽ = 0 ▼ = 0 ▽ = 0 ☒ = 0 ■ = 0 ▽ = 0	GENERAL TOLERANCES (UNLESS SPECIFIED) ANGULAR TOL ± ° 4 PLACES ± 3 PLACES ± 2 PLACES ± 1 PLACE ± 0 PLACES ± 0.25 DRAFT WHERE APPLICABLE MUST REMAIN WITHIN DIMENSIONS	DIMENSION UNITS MM	SCALE 1:1			
		DRWN BY AAHLERS	DATE 2015/04/02	MPIS M12 PNP NPN NOS 4P 4PT 12P M23 BK XM STA SINGLE				
		CHK'D BY RSILLER	DATE 2015/05/20	PRODUCT CUSTOMER DRAWING				
		APPR BY RSILLER	DATE 2015/05/20	SERIES 120248	MATERIAL NUMBER SEE TABLE 1	CUSTOMER GENERAL MARKET		
REV A1	DRAWING SIZE A3	THIRD ANGLE PROJECTION	DOCUMENT NUMBER 1202480055	DOC TYPE PSD	DOC PART 000	SHEET NUMBER 2 OF 2		