



Chipsmall Limited consists of a professional team with an average of over 10 year of expertise in the distribution of electronic components. Based in Hongkong, we have already established firm and mutual-benefit business relationships with customers from,Europe,America and south Asia,supplying obsolete and hard-to-find components to meet their specific needs.

With the principle of “Quality Parts,Customers Priority,Honest Operation,and Considerate Service”,our business mainly focus on the distribution of electronic components. Line cards we deal with include Microchip,ALPS,ROHM,Xilinx,Pulse,ON,Everlight and Freescale. Main products comprise IC,Modules,Potentiometer,IC Socket,Relay,Connector.Our parts cover such applications as commercial,industrial, and automotives areas.

We are looking forward to setting up business relationship with you and hope to provide you with the best service and solution. Let us make a better world for our industry!



Contact us

Tel: +86-755-8981 8866 Fax: +86-755-8427 6832

Email & Skype: info@chipsmall.com Web: www.chipsmall.com

Address: A1208, Overseas Decoration Building, #122 Zhenhua RD., Futian, Shenzhen, China



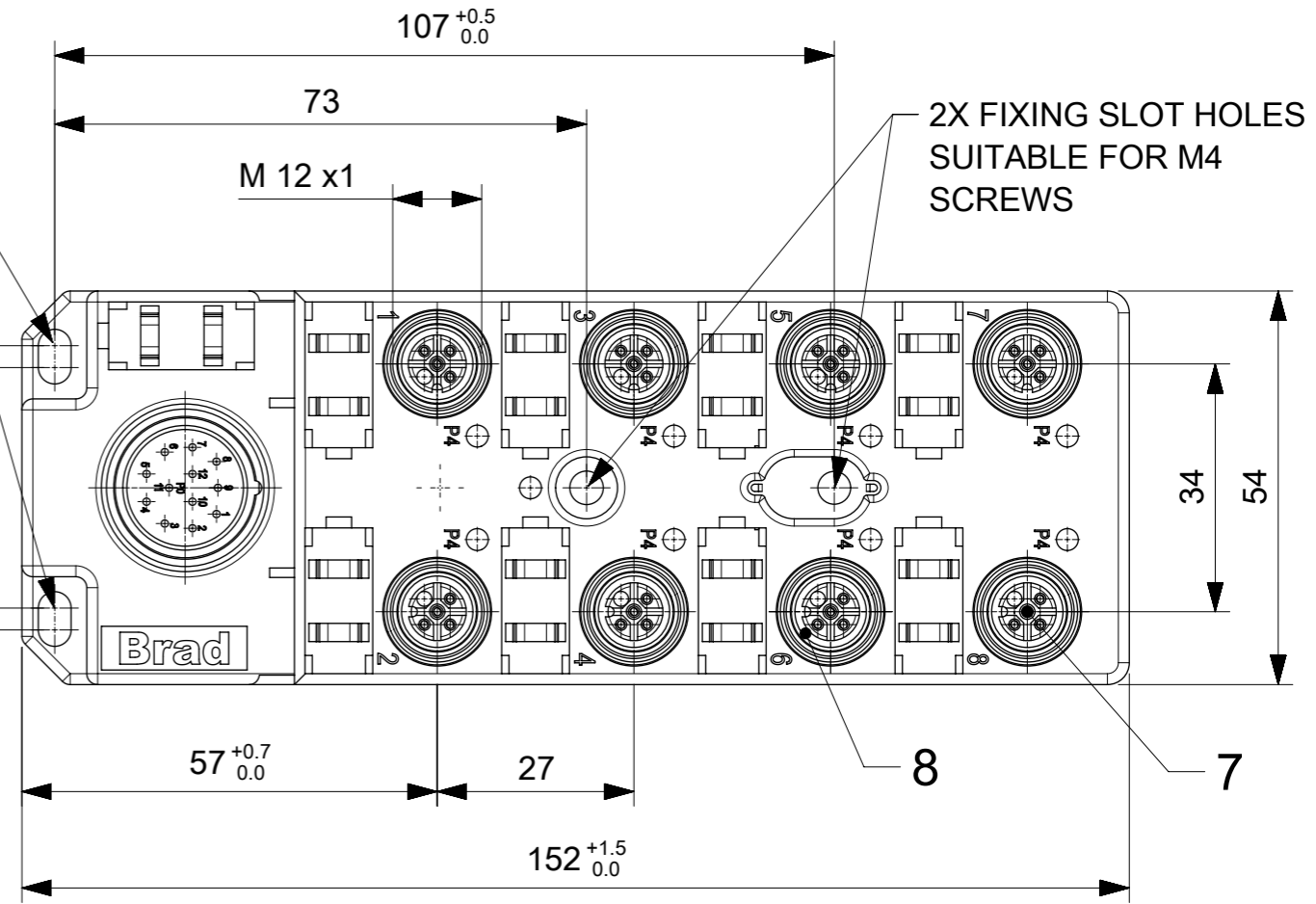
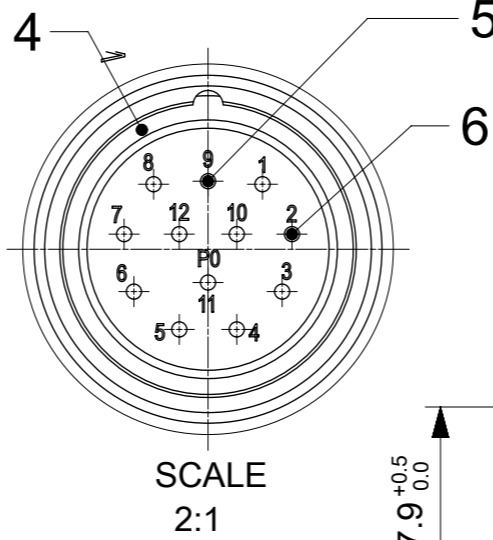
TABLE 1

| MOLEX P/N | ENG. NO. | LED |
|------------|-------------|-----|
| 1202480059 | BTB8010-FBC | NO |
| 1202480060 | BTB801P-FBC | YES |
| 1202480130 | BTB801N-FBC | YES |

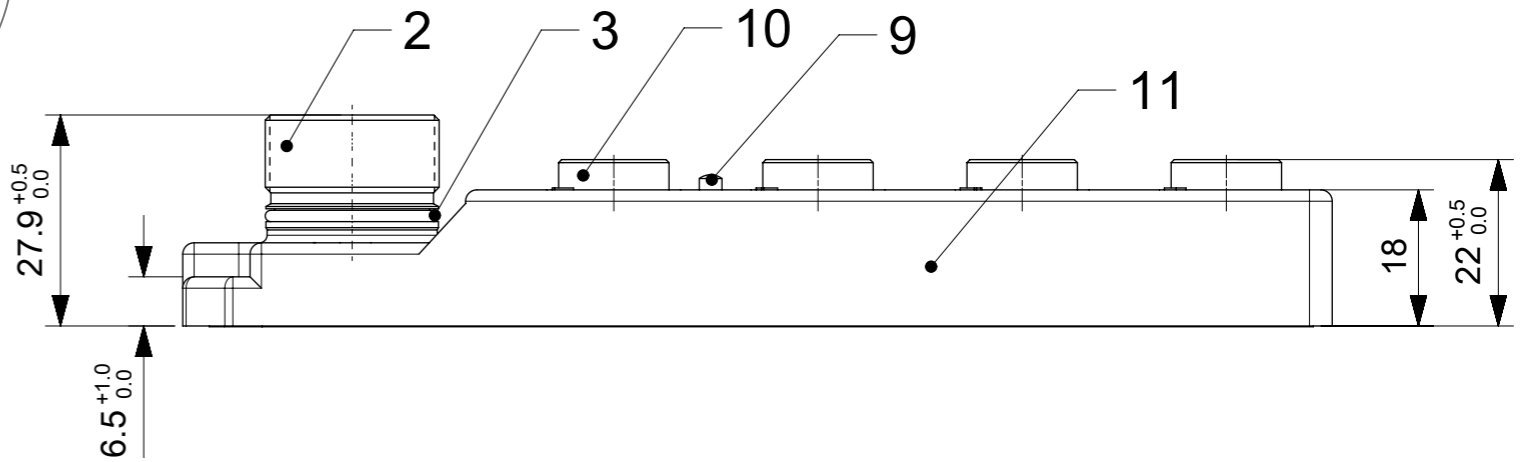
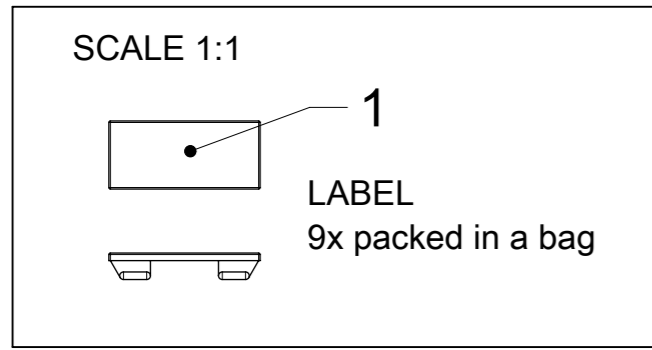
TABLE 2 BILL OF MATERIAL

| ITEM | DESCRIPTION | MATERIAL | FINISH |
|------|---------------|---------------|------------------|
| 1 | LABEL | ABS | WHITE |
| 2 | SHELL | BRASS | NICKEL PLATED |
| 3 | O-RING | NBR | BLACK |
| 4 | O-RING | NBR | BLACK |
| 5 | CONTACT | BRASS | GOLD OVER NICKEL |
| 6 | CONTACT | BRASS | GOLD OVER NICKEL |
| 7 | CONTACT | BRONZE | GOLD OVER NICKEL |
| 8 | O-RING | FPM | RED |
| 9 | LED | NO LED = PA | BLACK |
| | | WITH LED = PA | TRANSPARENT |
| 10 | SHELL | BRASS | NICKEL PLATED |
| 11 | HOUSING | PBT | BLACK |
| 12 | BLANKING PLUG | PA66 | BLACK |

2X FIXING SLOT HOLES
SUITABLE FOR M4
SCREWS



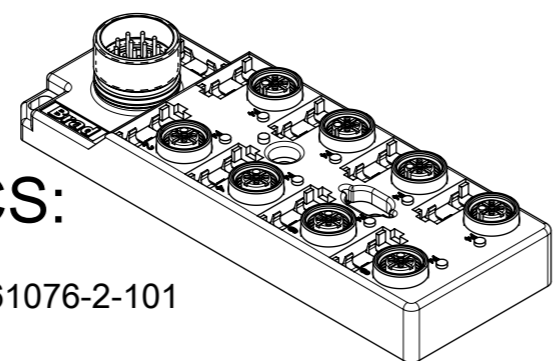
2X FIXING SLOT HOLES
SUITABLE FOR M4
SCREWS



GENERAL CHARACTERISTICS:

ELECTRICAL AND MECHANICAL DATA ACC. TO IEC 61076-2-101

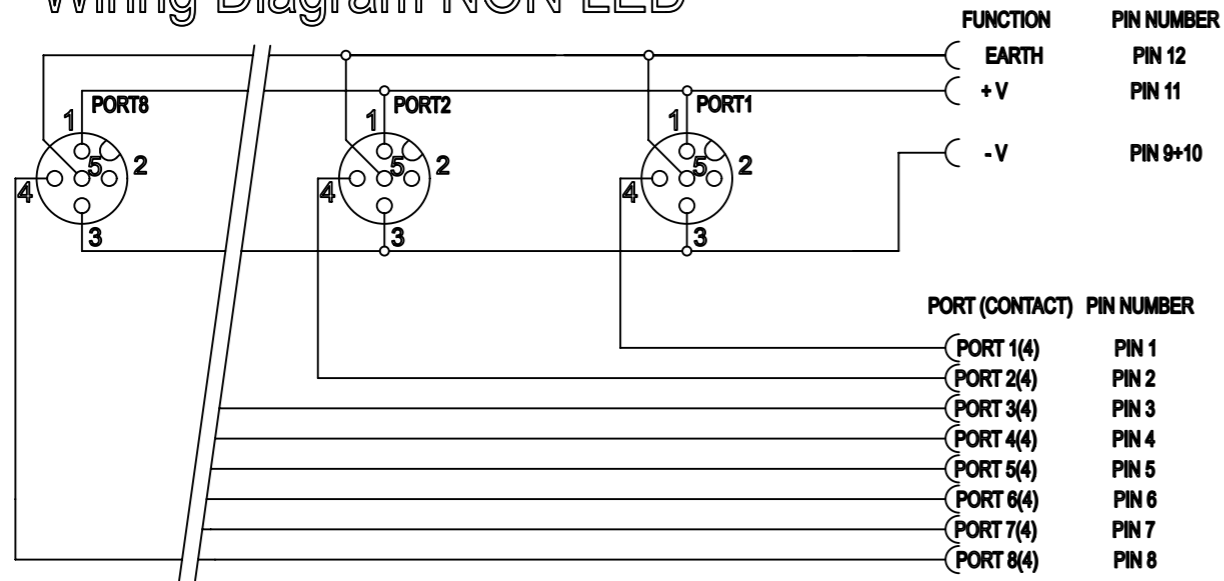
NOMINAL VOLTAGE: 10-30 V DC
 AMPERE RATING: 4 A PER PORT / 12 A MAX
 AMPERE RATING WITH UL REGISTRATION: 3 A PER PORT / 9 A MAX
 IP DEGREE OF PROTECTION: IP 67
 TEMPERATURE RANGE: -25°C to + 85°C



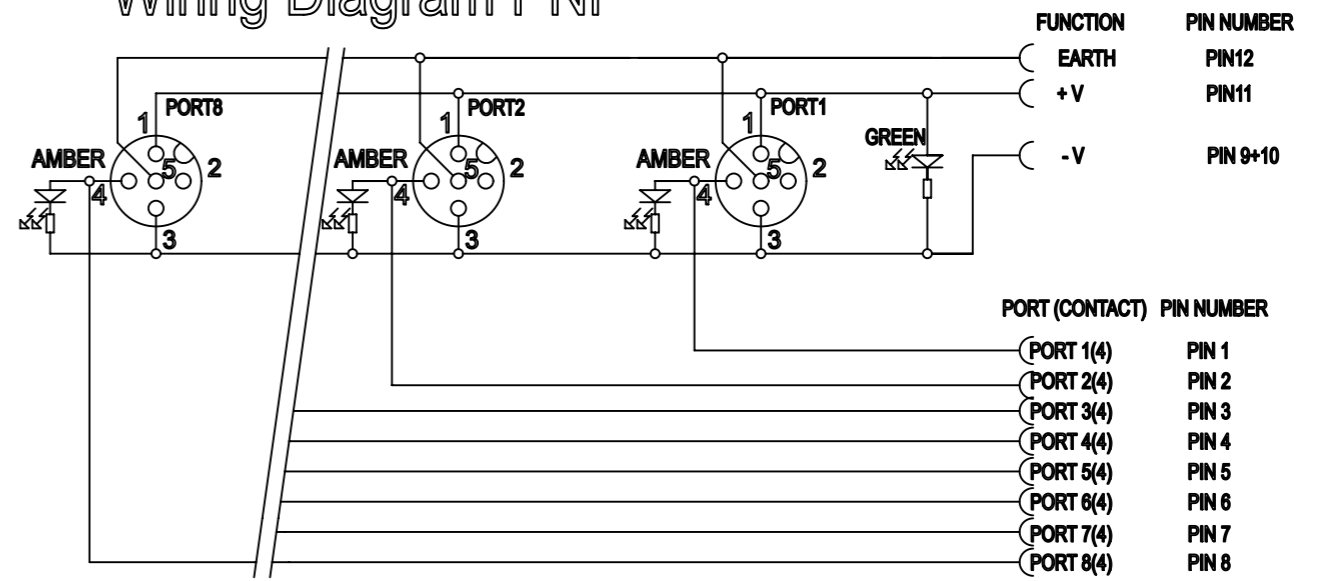
THIS DRAWING CONTAINS INFORMATION THAT IS PROPRIETARY TO MOLEX INCORPORATED AND SHOULD NOT BE USED WITHOUT WRITTEN PERMISSION

| | | | | | | | | |
|---|---|--|---|--|--|--|--|--|
| EC DESCRIPTION EC NO: 112516 DRWN: ULETTENMEIER 2016/10/27 CHK'D: APPR: RSILLER 2017/01/18 REV: A2 | QUALITY SYMBOLS ▽ = 0 ▽ = 0 ▽ = 0 ▼ = 0 ▽ = 0 ☒ = 0 ■ = 0 ▽ = 0 | GENERAL TOLERANCES (UNLESS SPECIFIED) ANGULAR TOL ± ° 4 PLACES ± 3 PLACES ± 2 PLACES ± 1 PLACE ± 0 PLACES ± 0.25 DRAFT WHERE APPLICABLE MUST REMAIN WITHIN DIMENSIONS | DIMENSION UNITS MM DRWN BY AAHLERS CHK'D BY APPR BY RSILLER DRAWING SIZE A3 | SCALE 1:1 DATE 2015/04/02 DATE 2015/05/20 THIRD ANGLE PROJECTION | | | | |
| | MPIS M12 PNP NPN NOS 4P 8PT 12P M23 BK SINGLE | | | | | | | |
| | PRODUCT CUSTOMER DRAWING | | | | | | | |
| | SERIES | MATERIAL NUMBER | CUSTOMER | | | | | |
| 120248 | SEE TABLE 1 | GENERAL MARKET | | | | | | |
| DOCUMENT NUMBER | | DOC TYPE | DOC PART | SHEET NUMBER | | | | |
| 1202480059 | | PSD | 000 | 1 OF 2 | | | | |

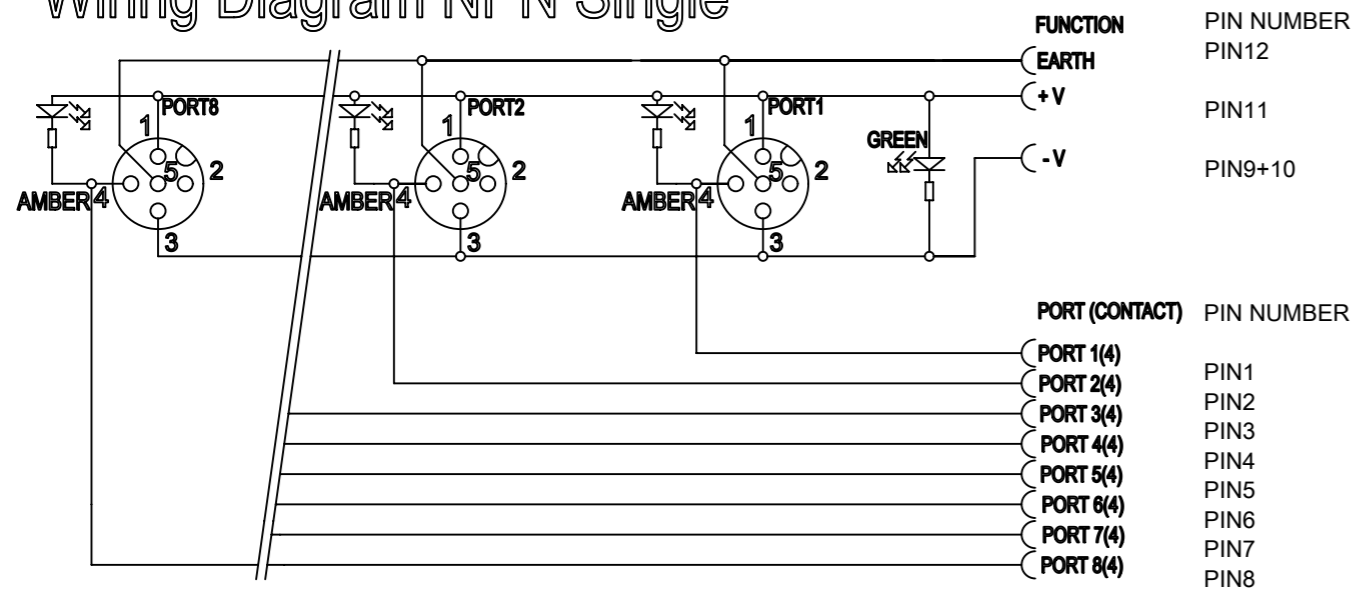
Wiring Diagram NON LED



Wiring Diagram PNP



Wiring Diagram NPN Single



THIS DRAWING CONTAINS INFORMATION THAT IS PROPRIETARY TO MOLEX INCORPORATED AND SHOULD NOT BE USED WITHOUT WRITTEN PERMISSION

| | | | | | | | |
|--|---|---|---|--|---|--|----------------------------|
| EC DESCRIPTION EC NO: 112516 DRWN: ULETTENMEIER 2016/10/27 CHK'D: APPR: RSILLER 2017/01/18 | QUALITY SYMBOLS ▽ = 0 ▽ = 0 ▽ = 0 ▼ = 0 ▽ = 0 ⊠ = 0 ■ = 0 ▽ = 0 | GENERAL TOLERANCES (UNLESS SPECIFIED) ANGULAR TOL ± ° 4 PLACES ± 3 PLACES ± 2 PLACES ± 1 PLACE ± 0 PLACES ± 0.25 DRAFT WHERE APPLICABLE MUST REMAIN WITHIN DIMENSIONS | DIMENSION UNITS MM DRWN BY AAHLERS CHK'D BY DATE 2015/04/02 APPR BY RSILLER DATE 2015/05/20 DRAWING SIZE A3 THIRD ANGLE PROJECTION | SCALE 1:1 PRODUCT CUSTOMER DRAWING | molex MPIS M12 PNP NPN NOS 4P 8PT 12P M23 BK SINGLE | | |
| | | | SERIES 120248 | | MATERIAL NUMBER SEE TABLE 1 | | CUSTOMER GENERAL MARKET |
| | DOCUMENT NUMBER 1202480059 | | DOC TYPE PSD | DOC PART 000 | SHEET NUMBER 2 OF 2 | | |
| | A2 | | | | | | |