



Chipsmall Limited consists of a professional team with an average of over 10 year of expertise in the distribution of electronic components. Based in Hongkong, we have already established firm and mutual-benefit business relationships with customers from,Europe,America and south Asia,supplying obsolete and hard-to-find components to meet their specific needs.

With the principle of “Quality Parts,Customers Priority,Honest Operation,and Considerate Service”,our business mainly focus on the distribution of electronic components. Line cards we deal with include Microchip,ALPS,ROHM,Xilinx,Pulse,ON,Everlight and Freescale. Main products comprise IC,Modules,Potentiometer,IC Socket,Relay,Connector.Our parts cover such applications as commercial,industrial, and automotives areas.

We are looking forward to setting up business relationship with you and hope to provide you with the best service and solution. Let us make a better world for our industry!



## Contact us

Tel: +86-755-8981 8866 Fax: +86-755-8427 6832

Email & Skype: info@chipsmall.com Web: www.chipsmall.com

Address: A1208, Overseas Decoration Building, #122 Zhenhua RD., Futian, Shenzhen, China



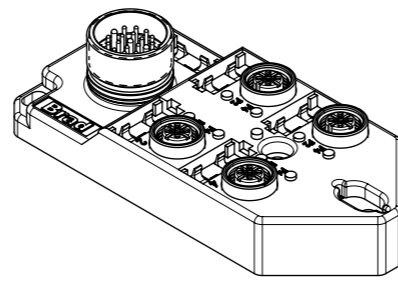
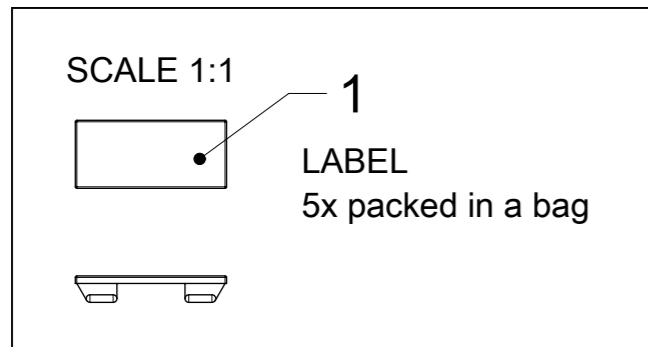
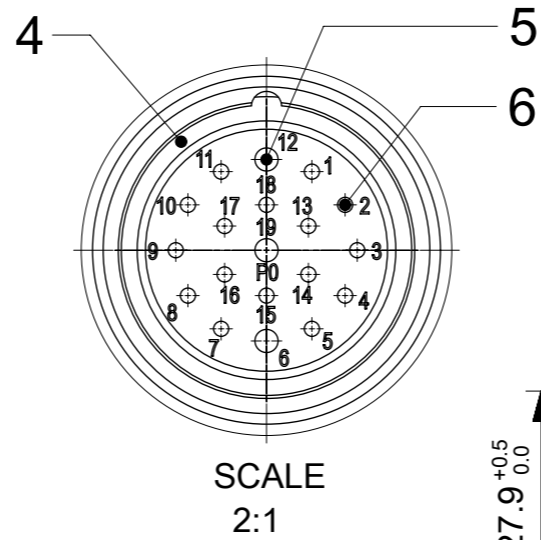
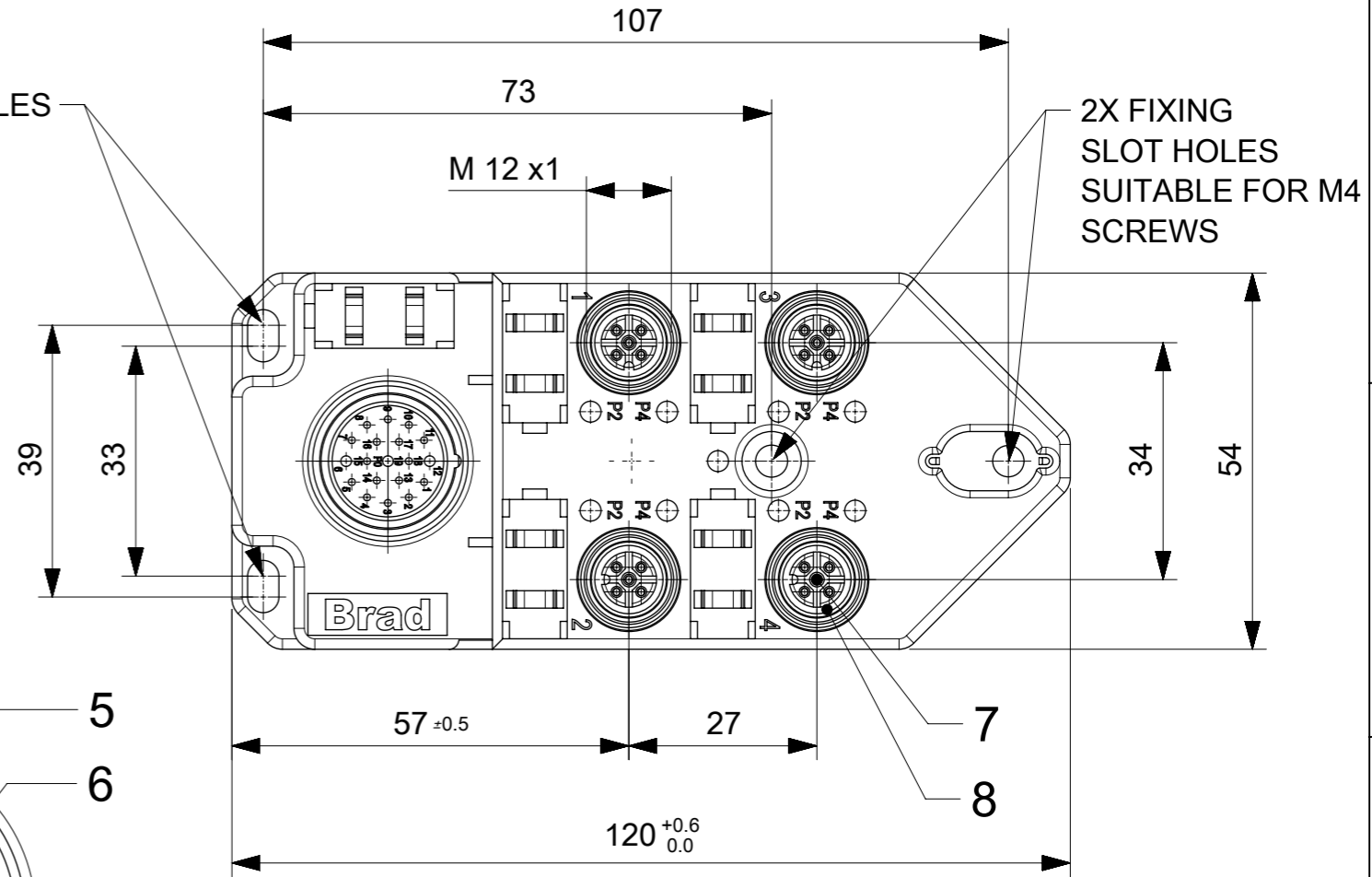
TABLE 1

MOLEX P/N	ENG. NO.	LED
1202480061	BTB4030-FBC	NO
1202480062	BTB403P-FBC	YES
1202480134	BTB403N-FBC	YES

TABLE 2 BILL OF MATERIAL

ITEM	DESCRIPTION	MATERIAL	FINISH
1	LABEL	ABS	WHITE
2	SHELL	BRASS	NICKEL PLATED
3	O-RING	NBR	BLACK
4	O-RING	NBR	BLACK
5	CONTACT	BRASS	GOLD OVER NICKEL
6	CONTACT	BRASS	GOLD OVER NICKEL
7	CONTACT	BRONZE	GOLD OVER NICKEL
8	O-RING	FPM	RED
9	LED	NO LED = PA	BLACK
		WITH LED = PA	TRANSPARENT
10	SHELL	BRASS	NICKEL PLATED
11	HOUSING	PBT	BLACK

2X FIXING SLOT HOLES  
SUITABLE FOR M4  
SCREWS



SCALE  
1:2

GENERAL CHARACTERISTICS:

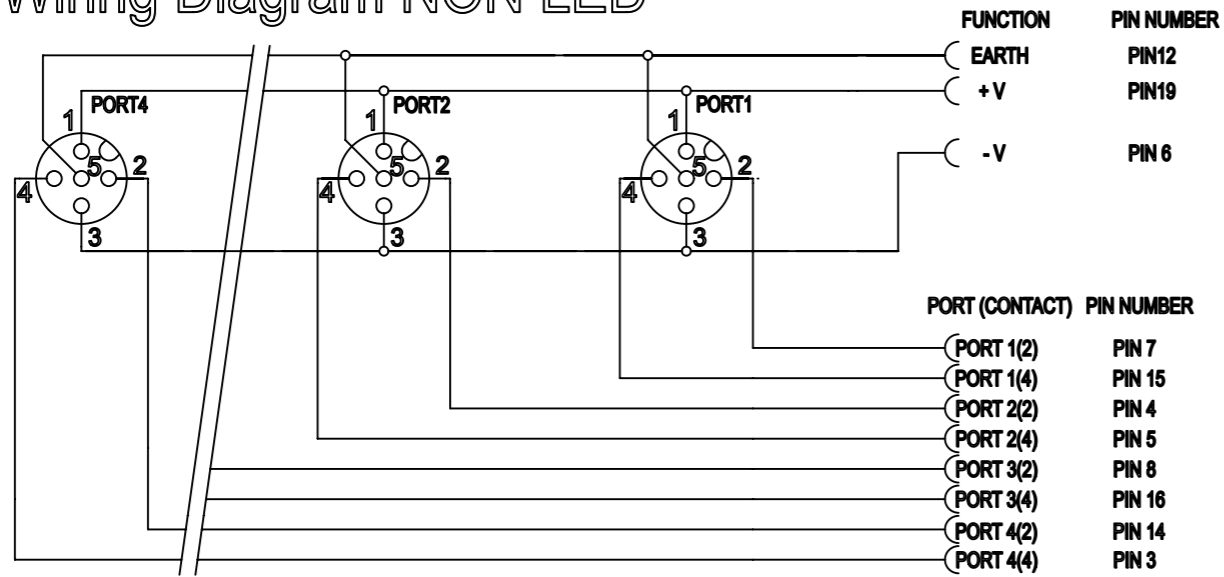
ELECTRICAL AND MECHANICAL DATA ACC. TO IEC 61076-2-101

NOMINAL VOLTAGE: 10-30 V DC  
 AMPERE RATING: 4 A PER PORT / 12 A MAX  
 AMPERE RATING WITH UL REGISTRATION: 3 A PER PORT / 9 A MAX  
 IP DEGREE OF PROTECTION: IP 67  
 TEMPERATURE RANGE: -25°C to + 85°C

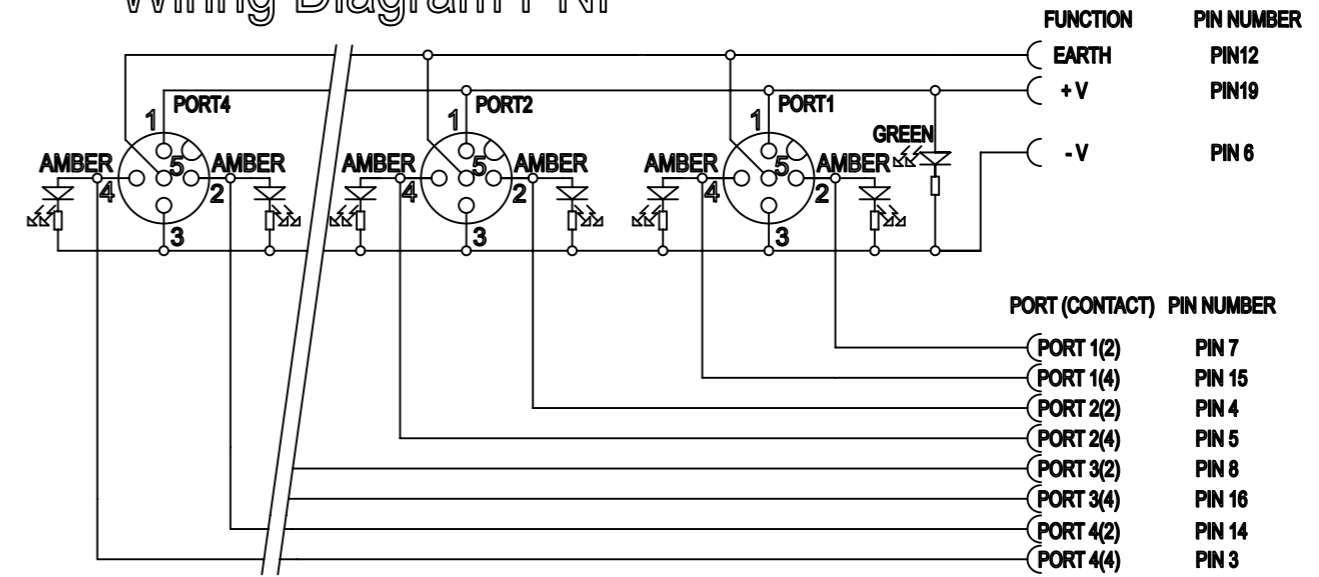
THIS DRAWING CONTAINS INFORMATION THAT IS PROPRIETARY TO MOLEX INCORPORATED AND SHOULD NOT BE USED WITHOUT WRITTEN PERMISSION

EC DESCRIPTION EC NO: 112767 DRWN: ULETTENMEIER 2017/01/24 CHK'D: APPR: RSILLER 2017/01/26	QUALITY SYMBOLS	GENERAL TOLERANCES (UNLESS SPECIFIED)	DIMENSION UNITS	SCALE	
	∇ = 0 ∇ = 0 ∇ = 0 ▼ = 0 ∇ = 0 ⊠ = 0 ■ = 0 ∇ = 0	ANGULAR TOL ± ° 4 PLACES ± 3 PLACES ± 2 PLACES ± 1 PLACE ± 0 PLACES ± 0.25	MM	1:1	
	DRWN BY	DATE	AAHLERS	2015/04/02	
	CHK'D BY	DATE			
	APPR BY	DATE	RSILLER	2015/05/20	MPIS M12 PNP NPN NOS 5P 4PT 19P M23 BK XM STA DUAL
	DRAWING SIZE	THIRD ANGLE PROJECTION	A3	PRODUCT CUSTOMER DRAWING SERIES: 120248 MATERIAL NUMBER: SEE TABLE 1 CUSTOMER: GENERAL MARKET	
				DOCUMENT NUMBER: 1202480061 DOC TYPE: PSD DOC PART: 000 SHEET NUMBER: 1 OF 2	

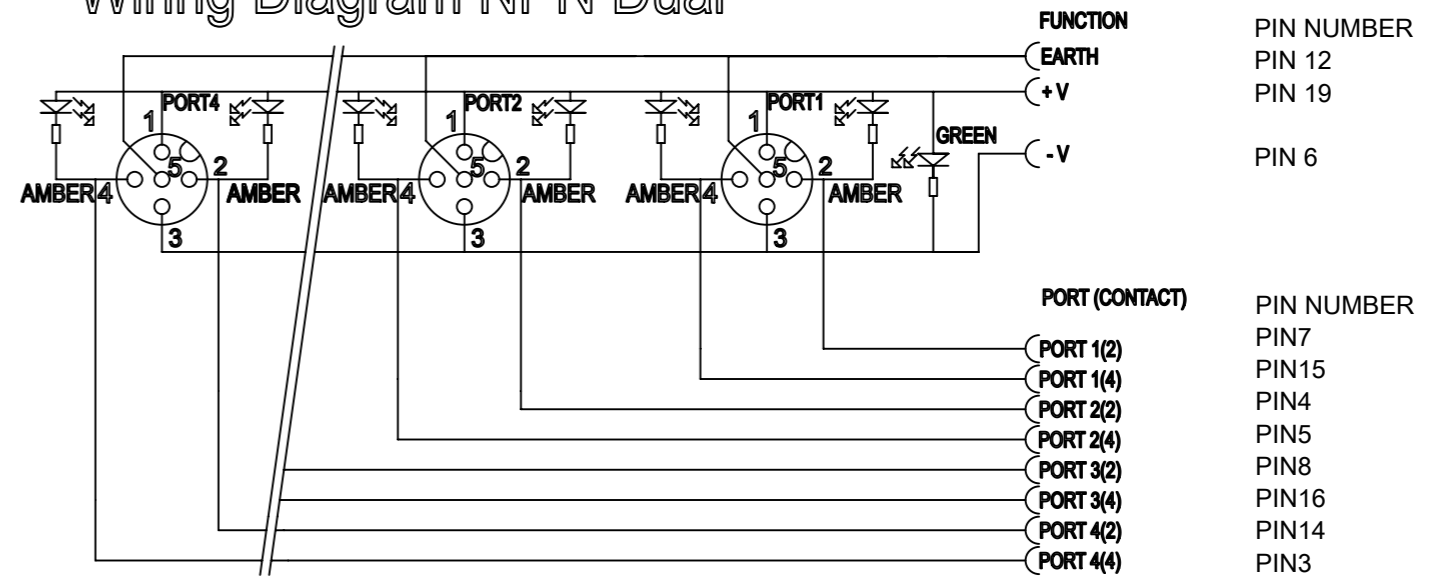
### Wiring Diagram NON LED



### Wiring Diagram PNP



### Wiring Diagram NPN Dual



THIS DRAWING CONTAINS INFORMATION THAT IS PROPRIETARY TO MOLEX INCORPORATED AND SHOULD NOT BE USED WITHOUT WRITTEN PERMISSION									
EC DESCRIPTION EC NO: 112767 DRWN: ULETTENMEIER 2017/01/24 CHK'D: APPR: RSILLER 2017/01/26	QUALITY SYMBOLS	GENERAL TOLERANCES (UNLESS SPECIFIED)		DIMENSION UNITS	SCALE				
	▽ = 0	ANGULAR TOL ± °		MM	5:1				
	▽ = 0	4 PLACES ±	DRWN BY		DATE	MPIS M12 PNP NPN NOS 5P 4PT 19P M23 BK XM STA DUAL			
	▽ = 0	3 PLACES ±	AAHLERS		2015/04/02				
▽ = 0	2 PLACES ±	CHK'D BY		DATE	PRODUCT CUSTOMER DRAWING				
▽ = 0	1 PLACE ±	APPR BY		DATE					
▽ = 0	0 PLACES ± 0.25	DRAFT WHERE APPLICABLE MUST REMAIN WITHIN DIMENSIONS		DRAWING SIZE	THIRD ANGLE PROJECTION	SERIES	MATERIAL NUMBER	CUSTOMER	
A2	REV	A3		A3		120248	SEE TABLE 1	GENERAL MARKET	
						DOCUMENT NUMBER	DOC TYPE	DOC PART	SHEET NUMBER
						1202480061	PSD	000	2 OF 2