



Chipsmall Limited consists of a professional team with an average of over 10 year of expertise in the distribution of electronic components. Based in Hongkong, we have already established firm and mutual-benefit business relationships with customers from,Europe,America and south Asia,supplying obsolete and hard-to-find components to meet their specific needs.

With the principle of “Quality Parts,Customers Priority,Honest Operation,and Considerate Service”,our business mainly focus on the distribution of electronic components. Line cards we deal with include Microchip,ALPS,ROHM,Xilinx,Pulse,ON,Everlight and Freescale. Main products comprise IC,Modules,Potentiometer,IC Socket,Relay,Connector.Our parts cover such applications as commercial,industrial, and automotives areas.

We are looking forward to setting up business relationship with you and hope to provide you with the best service and solution. Let us make a better world for our industry!



## Contact us

Tel: +86-755-8981 8866 Fax: +86-755-8427 6832

Email & Skype: info@chipsmall.com Web: www.chipsmall.com

Address: A1208, Overseas Decoration Building, #122 Zhenhua RD., Futian, Shenzhen, China

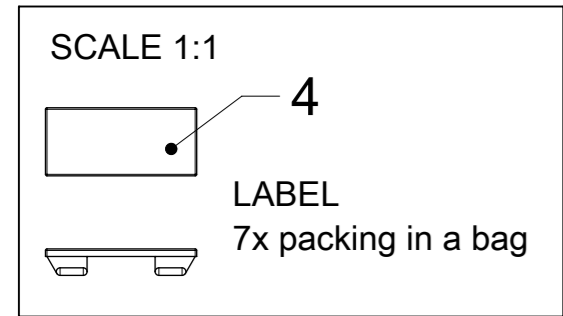


TABLE 1

MOLEX P/N	ENG. NO.	LED
1202480086	BTB603P-FBA	YES

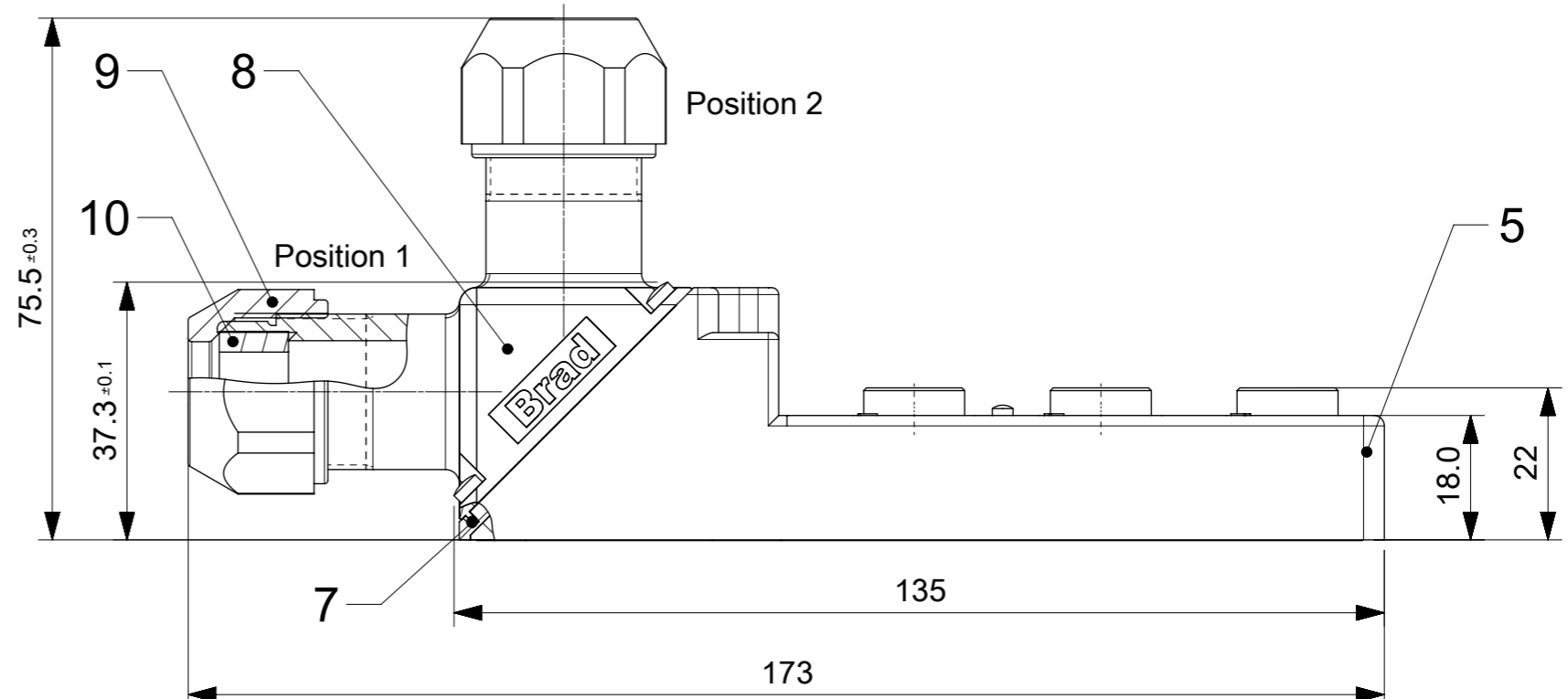
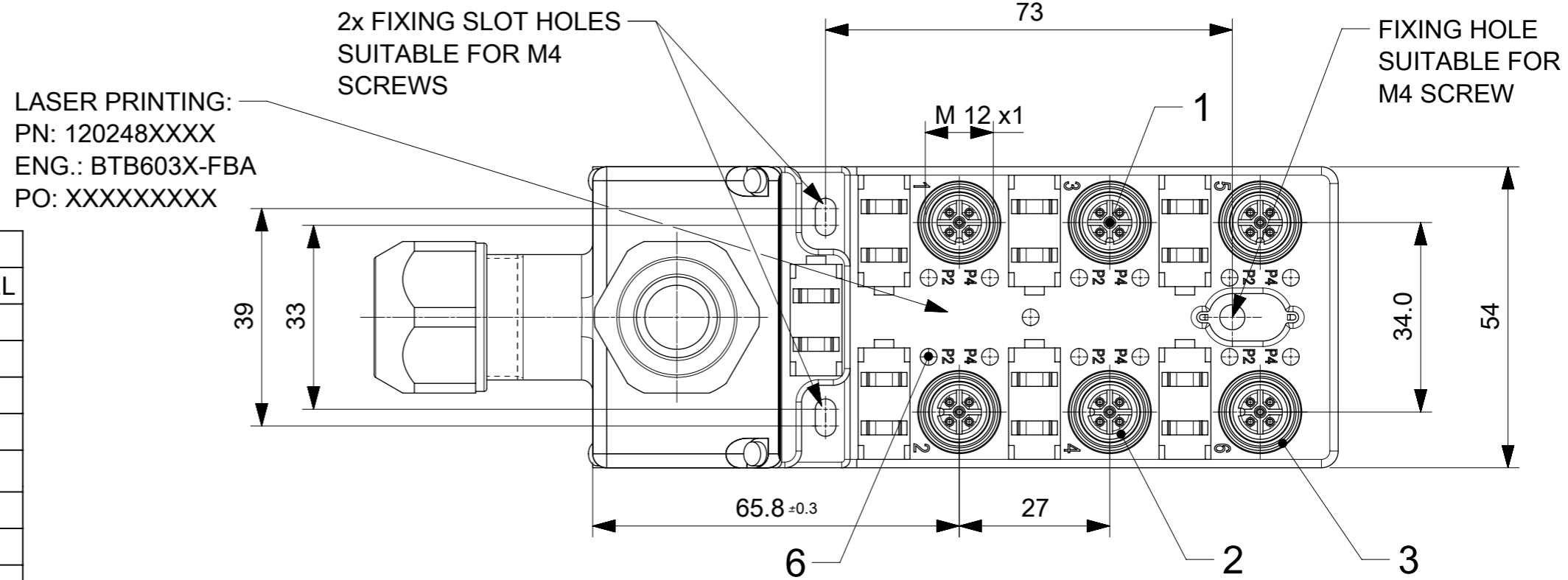
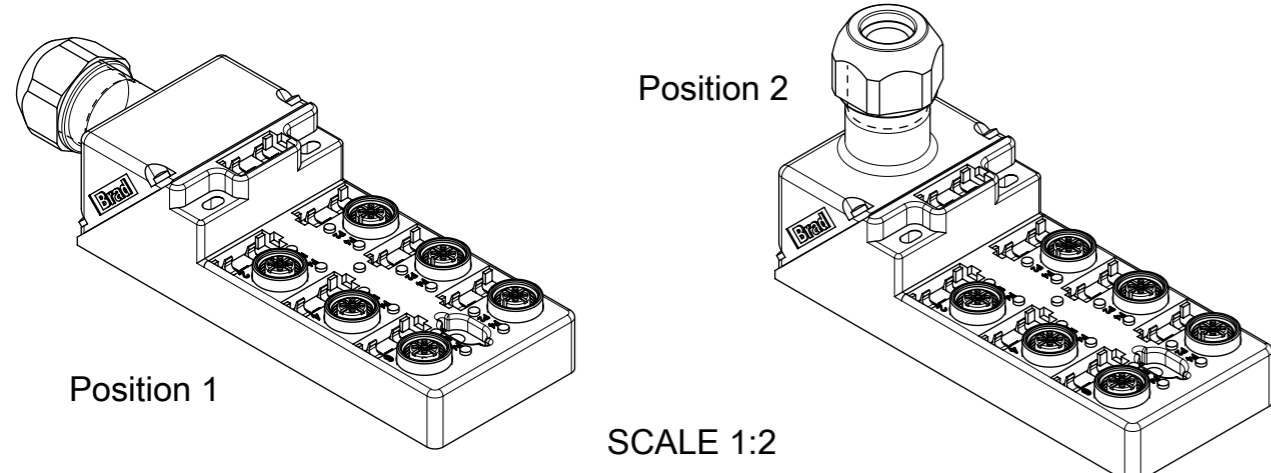
TABLE 2 BILL OF MATERIAL

ITEM	DESCRIPTION	MATERIAL	FINISH
1	CONTACT	BRONZE	GOLD OVER NICKEL
2	O-RING	FPM	RED
3	SHELL	BRASS	NICKEL PLATED
4	LABEL	ABS	WHITE
5	HOUSING	PBT	BLACK
6	LED	PA	TRANSPARENT
7	O-RING	NBR	BLACK
8	CLAMPBOX	PBT	BLACK
9	NUT	PA	BLACK
10	GASKET	NBR	BLACK



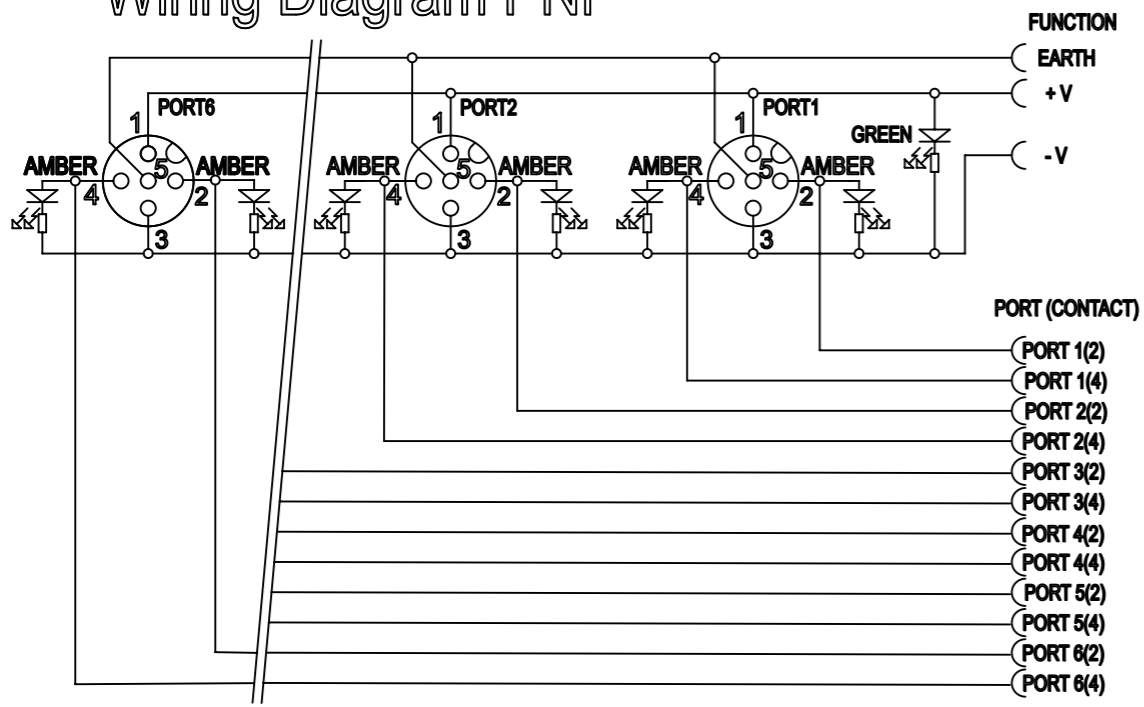
GENERAL CHARACTERISTICS:

NOMINAL VOLTAGE: 10-30 V DC  
 AMPERE RATING: 4 A PER PORT / 12 A MAX  
 IP DEGREE OF PROTECTION: IP 67  
 TEMPERATURE RANGE: -25°C to + 90°C



SYMBOLS	THIS DRAWING CONTAINS INFORMATION THAT IS PROPRIETARY TO MOLEX ELECTRONIC TECHNOLOGIES, LLC AND SHOULD NOT BE USED WITHOUT WRITTEN PERMISSION	CURRENT REV DESC: LASER PRINTING ADDED		<b>molex</b>	
	DIMENSION UNITS	SCALE	EC NO: 172073		
▽ = 0	mm		DRWN: BBRAUCH 2018/01/31	PRODUCT CUSTOMER DRAWING	
▽ = 0	GENERAL TOLERANCES (UNLESS SPECIFIED)		CHK'D: ULETTENMEIER 2018/02/08	DOCUMENT NUMBER	DOC TYPE DOC PART REVISION
▽ = 0	ANGULAR TOL ± °		APPR: RSILLER 2018/02/09	1202480086	PSD 000 A3
▽ = 0	4 PLACES ±		INITIAL REVISION:		
▽ = 0	3 PLACES ±		DRWN: AAHLERS 2015/04/08		
▽ = 0	2 PLACES ±		APPR: JALEXANDER 2015/05/28		
▽ = 0	1 PLACE ± 0.2				
▽ = 0	0 PLACES ± 0.3				
■ = 0	DRAFT WHERE APPLICABLE MUST REMAIN WITHIN DIMENSIONS	THIRD ANGLE PROJECTION	DRAWING	SERIES	MATERIAL NUMBER
▽ = 0			A3-SIZE	120248	SEE TABLE 1
					CUSTOMER
					GENERAL MARKET
					SHEET NUMBER
					1 OF 2

# Wiring Diagram PNP

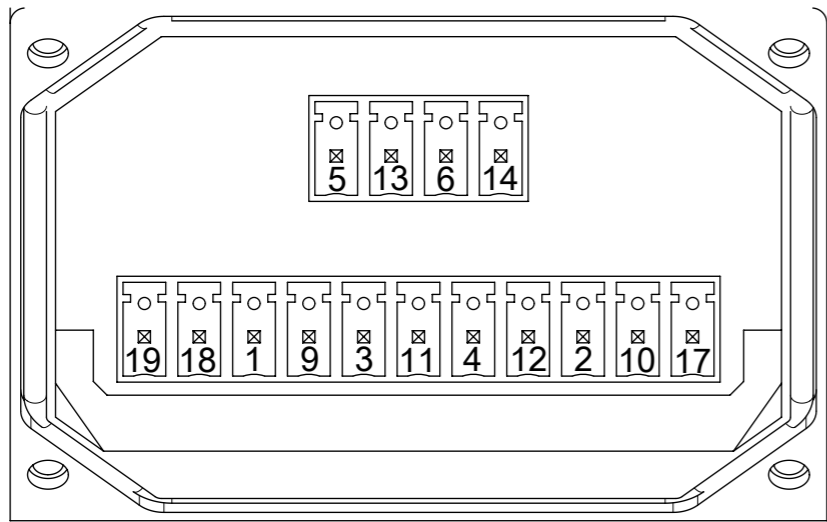
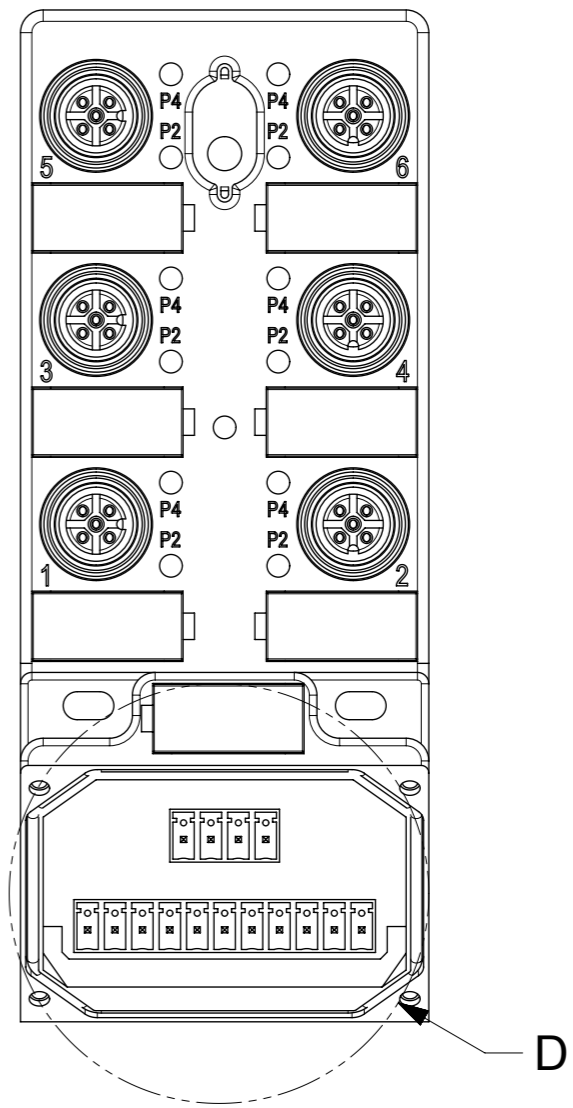


FUNCTION

- EARTH
- +V
- V

TERMINAL BLOCK NUMBER

- PIN 9
- PIN 1
- PIN 10
- PIN 2
- PIN 11
- PIN 3
- PIN 12
- PIN 4
- PIN 13
- PIN 5
- PIN 14
- PIN 6



DETAIL D  
SCALE 2:1

THIS DRAWING CONTAINS INFORMATION THAT IS PROPRIETARY TO MOLEX ELECTRONIC TECHNOLOGIES, LLC AND SHOULD NOT BE USED WITHOUT WRITTEN PERMISSION											
SYMBOLS		DIMENSION UNITS		SCALE		CURRENT REV DESC: LASER PRINTING ADDED					
▽ = 0		mm				EC NO: 172073					
▽ = 0		GENERAL TOLERANCES (UNLESS SPECIFIED)				DRWN: BBRAUCH 2018/01/31			MPIS M12 FA PNP 5P 6PT AC FE		
▽ = 0		ANGULAR TOL ± °				CHK'D: ULETTENMEIER 2018/02/08			PRODUCT CUSTOMER DRAWING		
▽ = 0		4 PLACES ±				APPR: RSILLER 2018/02/09			DOCUMENT NUMBER		
▽ = 0		3 PLACES ±				INITIAL REVISION:			1202480086		
▽ = 0		2 PLACES ±				DRWN: AAHLERS 2015/04/08			DOC TYPE DOC PART REVISION		
▽ = 0		1 PLACE ± 0.2				APPR: JALEXANDER 2015/05/28			PSD 000 A3		
▽ = 0		0 PLACES ± 0.3				DRAFT WHERE APPLICABLE MUST REMAIN WITHIN DIMENSIONS			MATERIAL NUMBER		
▽ = 0		THIRD ANGLE PROJECTION		DRAWING		SERIES		CUSTOMER		SHEET NUMBER	
▽ = 0		A3-SIZE		120248		SEE TABLE 1		GENERAL MARKET		2 OF 2	