



Chipsmall Limited consists of a professional team with an average of over 10 year of expertise in the distribution of electronic components. Based in Hongkong, we have already established firm and mutual-benefit business relationships with customers from,Europe,America and south Asia,supplying obsolete and hard-to-find components to meet their specific needs.

With the principle of “Quality Parts,Customers Priority,Honest Operation,and Considerate Service”,our business mainly focus on the distribution of electronic components. Line cards we deal with include Microchip,ALPS,ROHM,Xilinx,Pulse,ON,Everlight and Freescale. Main products comprise IC,Modules,Potentiometer,IC Socket,Relay,Connector.Our parts cover such applications as commercial,industrial, and automotives areas.

We are looking forward to setting up business relationship with you and hope to provide you with the best service and solution. Let us make a better world for our industry!



Contact us

Tel: +86-755-8981 8866 Fax: +86-755-8427 6832

Email & Skype: info@chipsmall.com Web: www.chipsmall.com

Address: A1208, Overseas Decoration Building, #122 Zhenhua RD., Futian, Shenzhen, China



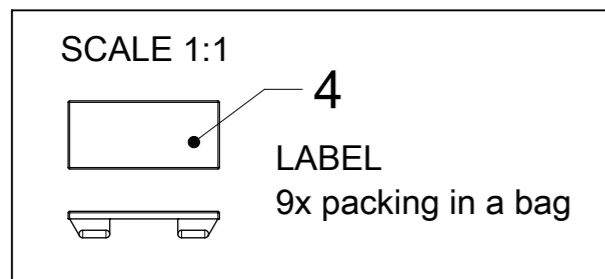
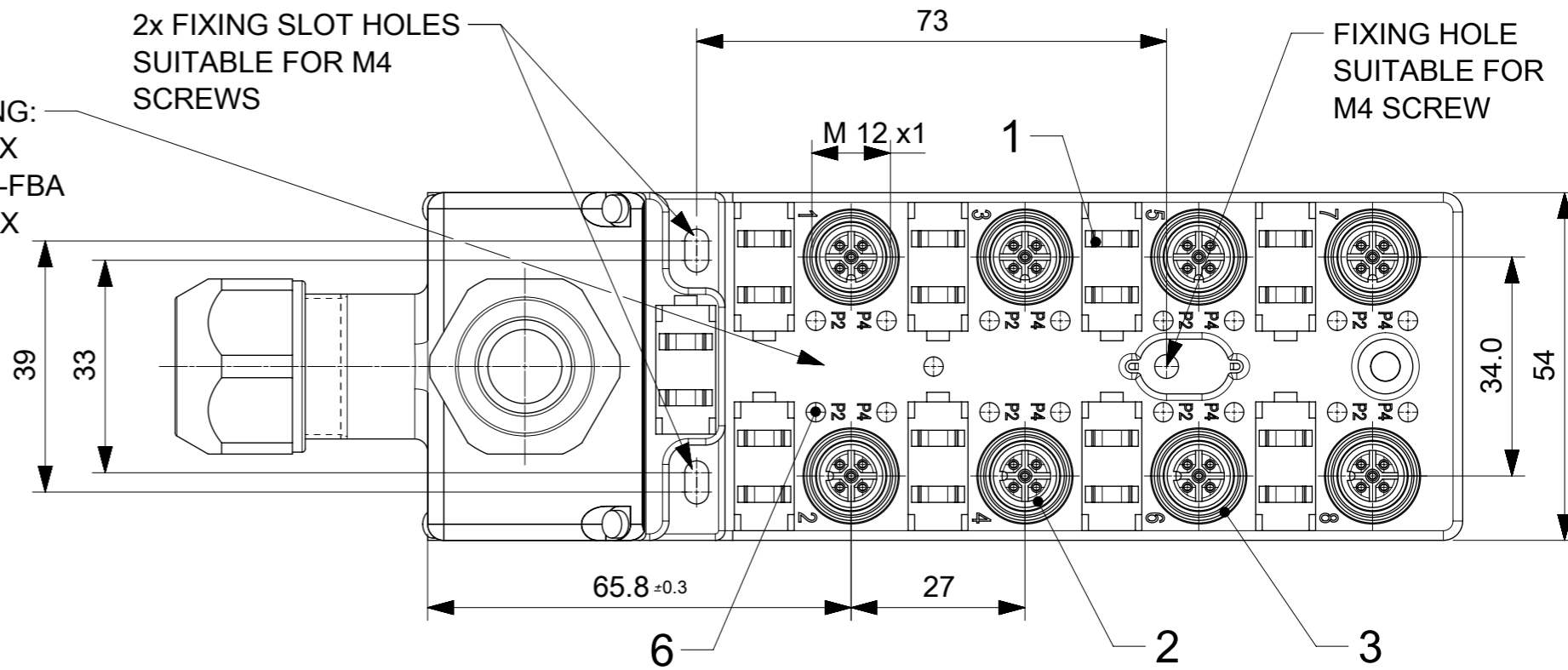
TABLE 1

MOLEX P/N	ENG. NO.	LED
1202480087	BTB803P-FBA	YES

TABLE 2 BILL OF MATERIAL

ITEM	DESCRIPTION	MATERIAL	FINISH
1	CONTACT	BRONZE	GOLD OVER NICKEL
2	O-RING	FPM	RED
3	SHELL	BRASS	NICKEL PLATED
4	LABEL	ABS	WHITE
5	HOUSING	PBT	BLACK
6	LED	PA	TRANSPARENT
7	O-RING	NBR	BLACK
8	CLAMPBOX	PBT	BLACK
9	NUT	PA	BLACK
10	GASKET	NBR	BLACK

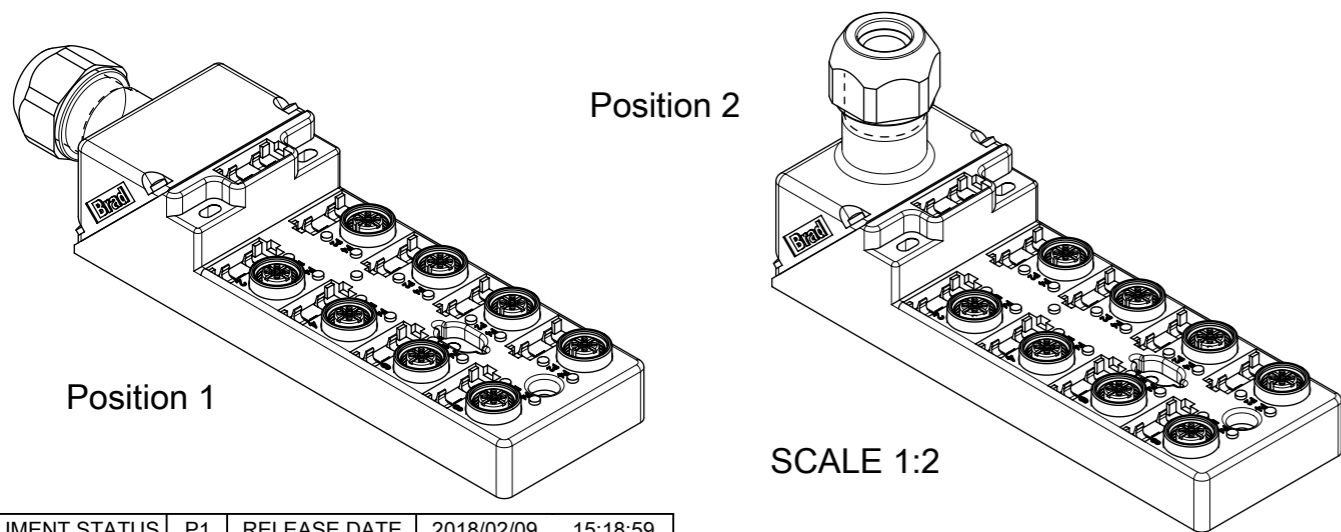
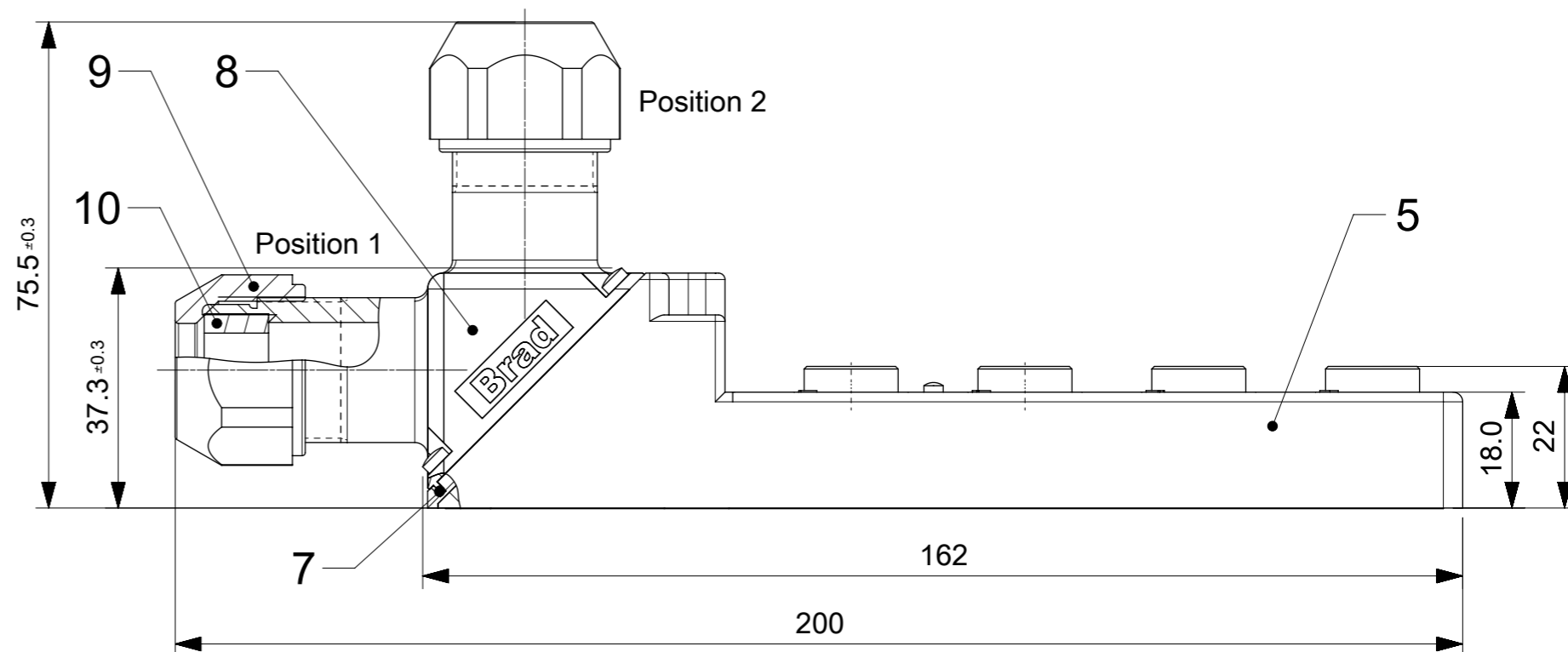
LASER PRINTING:
 PN: 120248XXXX
 ENG.: BTB803X-FBA
 PO: XXXXXXXXXX



GENERAL CHARACTERISTICS:

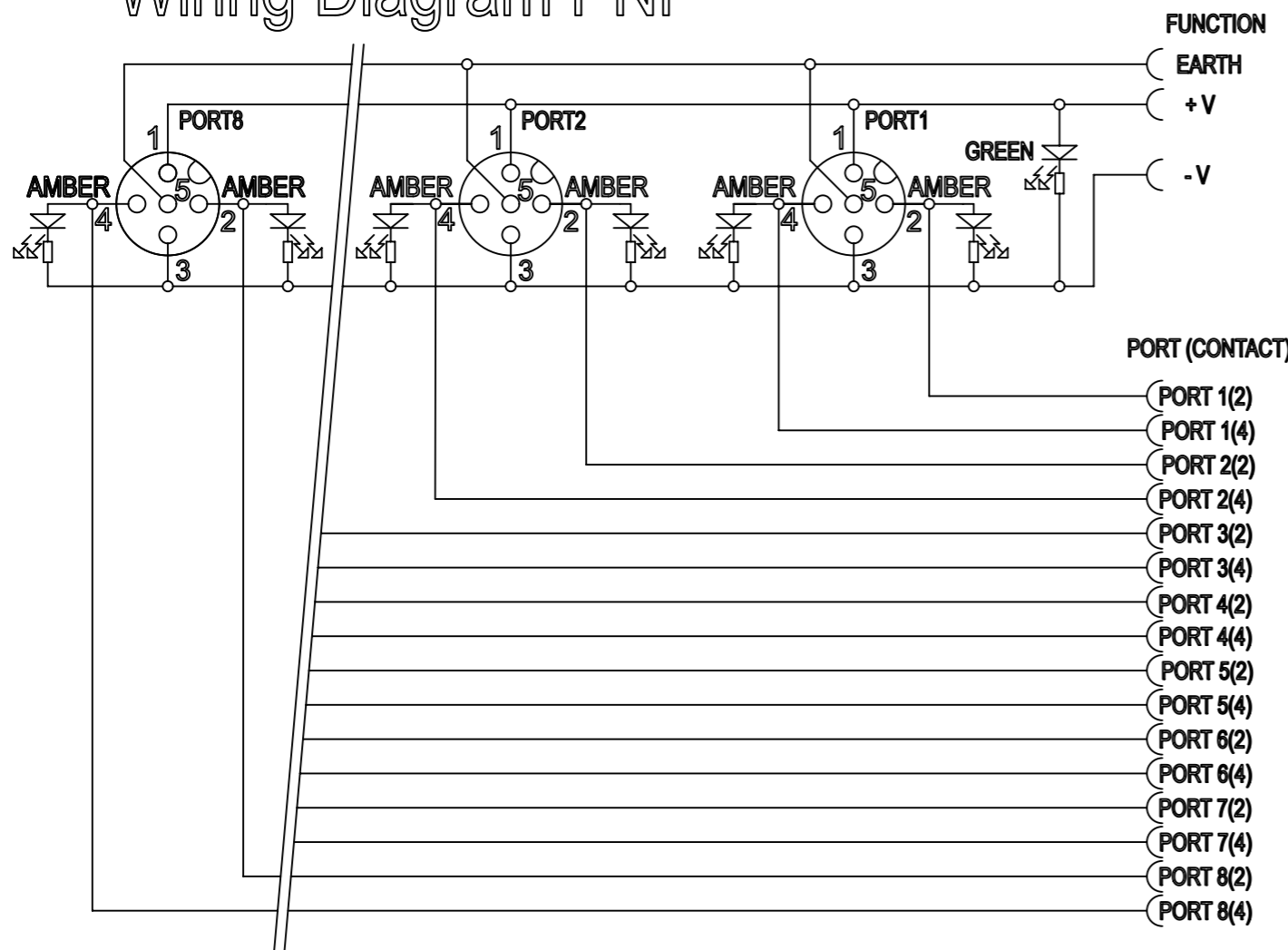
ELECTRICAL AND MECHANICAL DATA ACC. TO IEC 61076-2-101

NOMINAL VOLTAGE: 10-30 V DC
 AMPERE RATING: 4 A PER PORT / 12 A MAX
 AMPERE RATING WITH UL REGISTRATION: 3 A PER PORT / 9 A MAX
 IP DEGREE OF PROTECTION: IP 67
 TEMPERATURE RANGE: -25°C to + 85°C



SYMBOLS	THIS DRAWING CONTAINS INFORMATION THAT IS PROPRIETARY TO MOLEX ELECTRONIC TECHNOLOGIES, LLC AND SHOULD NOT BE USED WITHOUT WRITTEN PERMISSION	CURRENT REV DESC: LASER PRINTING ADDED		molex	
	DIMENSION UNITS	SCALE			
▽ = 0	mm			PRODUCT CUSTOMER DRAWING	
▽ = 0	GENERAL TOLERANCES (UNLESS SPECIFIED)			DOCUMENT NUMBER	DOC TYPE
▽ = 0	ANGULAR TOL ± °			1202480087	PSD
▽ = 0	4 PLACES ±			000	A4
▽ = 0	3 PLACES ±				
▽ = 0	2 PLACES ±				
▽ = 0	1 PLACE ± 0.2				
▽ = 0	0 PLACES ± 0.3				
□ = 0	DRAFT WHERE APPLICABLE MUST REMAIN WITHIN DIMENSIONS	THIRD ANGLE PROJECTION	DRAWING	SERIES	MATERIAL NUMBER
▽ = 0			A3-SIZE	120248	SEE TABLE 1
					CUSTOMER
					GENERAL MARKET
					SHEET NUMBER
					1 OF 2

Wiring Diagram PNP

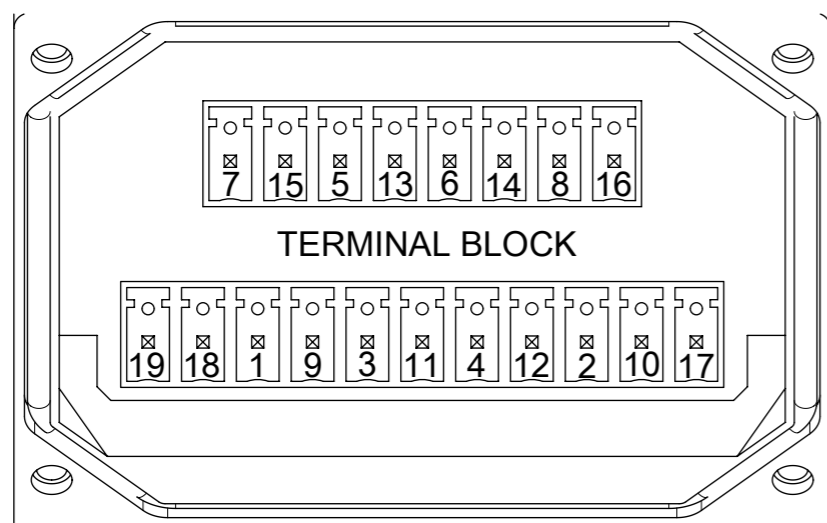
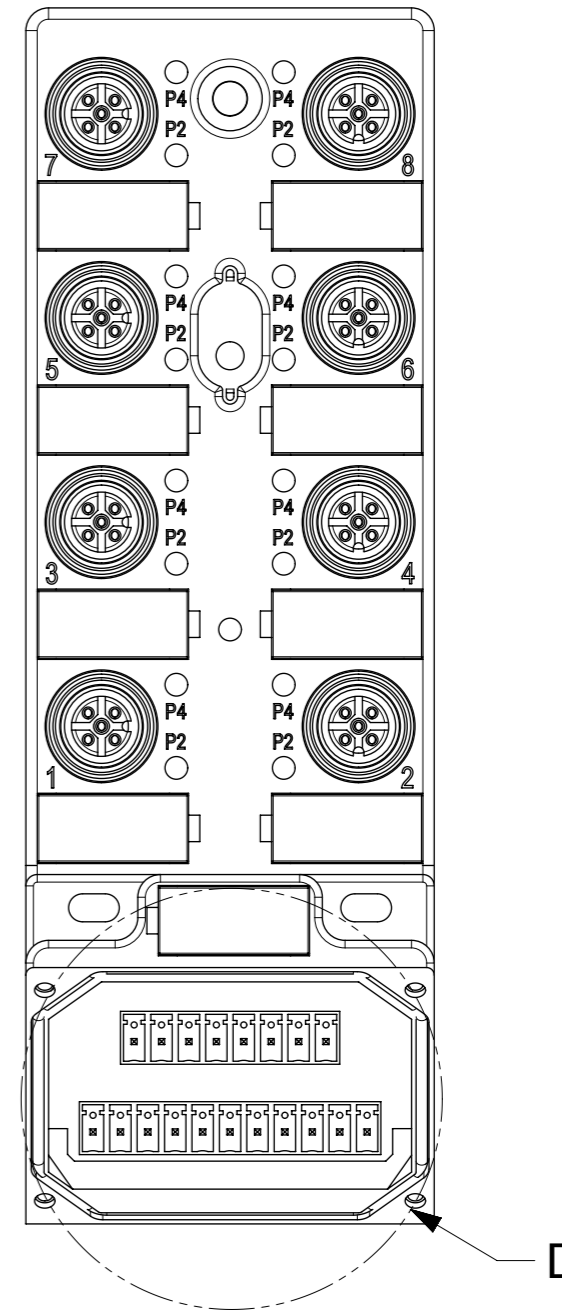


TERMINAL BLOCK NUMBER

- PIN19
- PIN17
- PIN18

TERMINAL BLOCK NUMBER

- PIN 9
- PIN 1
- PIN 10
- PIN 2
- PIN 11
- PIN 3
- PIN 12
- PIN 4
- PIN 13
- PIN 5
- PIN 14
- PIN 6
- PIN 15
- PIN 7
- PIN 16
- PIN 8



DETAIL D
SCALE 2:1

SYMBOLS DIMENSION UNITS: mm SCALE: (blank) GENERAL TOLERANCES (UNLESS SPECIFIED): ANGULAR TOL: ± ° 4 PLACES: ± 3 PLACES: ± 2 PLACES: ± 1 PLACE: ± 0.2 0 PLACES: ± 0.3 DRAFT WHERE APPLICABLE MUST REMAIN WITHIN DIMENSIONS THIRD ANGLE PROJECTION: (blank)	THIS DRAWING CONTAINS INFORMATION THAT IS PROPRIETARY TO MOLEX ELECTRONIC TECHNOLOGIES, LLC AND SHOULD NOT BE USED WITHOUT WRITTEN PERMISSION		CURRENT REV DESC: LASER PRINTING ADDED		
	EC NO: 172073 DRWN: BBRAUCH 2018/01/31 CHK'D: ULETTENMEIER 2018/02/08 APPR: RSILLER 2018/02/09		PRODUCT CUSTOMER DRAWING		
	INITIAL REVISION: DRWN: AAHLERS 2015/04/09 APPR: JALEXANDER 2015/05/28		DOCUMENT NUMBER: 1202480087	DOC TYPE: PSD DOC PART: 000 REVISION: A4	
	MATERIAL NUMBER: SEE TABLE 1	CUSTOMER: GENERAL MARKET	SHEET NUMBER: 2 OF 2		